

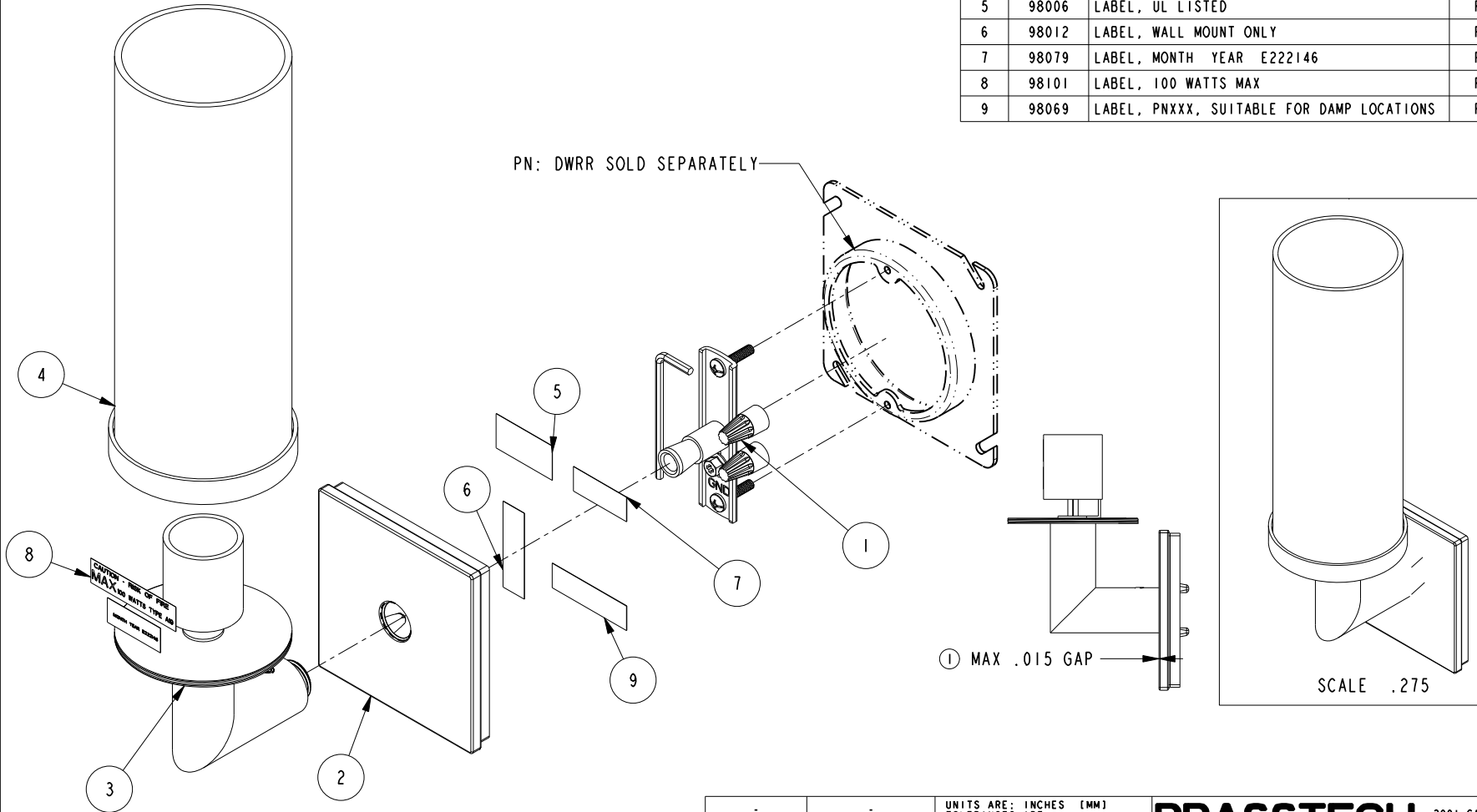
NOTES:

(NI) 1. FIT / FORM / FUNCTION SHALL FOLLOW PS-E.008.

BILL OF MATERIAL (CURRENT LEVEL)

ITEM	PT/ASSY	DESCRIPTION	TYPE	QTY.
1	3681-CB	LIGHT MOUNTING KIT	ASSEMBLY	1
2	80770	BASE	PART	1
3	3681-BAW	BODY ASSEMBLY	ASSEMBLY	1
4	3681-G-0	SHADE ASSEMBLY	ASSEMBLY	1
5	98006	LABEL, UL LISTED	PART	1
6	98012	LABEL, WALL MOUNT ONLY	PART	1
7	98079	LABEL, MONTH YEAR E222146	PART	2
8	98101	LABEL, 100 WATTS MAX	PART	1
9	98069	LABEL, PNXXX, SUITABLE FOR DAMP LOCATIONS	PART	1

PN: DWRR SOLD SEPARATELY



① MAX .015 GAP

SCALE .275

TESTING	-	-	-
ASSEMBLY	-	-	-
PLATING	-	-	-
POLISHING	-	NEXT ASSY	USED ON
MACHINING	-	APPLICATION	
TOOLING FIXTURE #	REMOVE ALL BURRS AND SHARP EDGES		

UNITS ARE: INCHES [MM]
 TOLERANCES ARE:
 FRACTIONS DECIMALS ANGLES
 $\pm 1/16"$ $.X \pm .1$ [2.5] $\pm 1^\circ$
 $.XX \pm .06$ [1.5]
 (X.XXX) DENOTES CRITICAL DIMS.
 ALL THREADS ARE CRITICAL

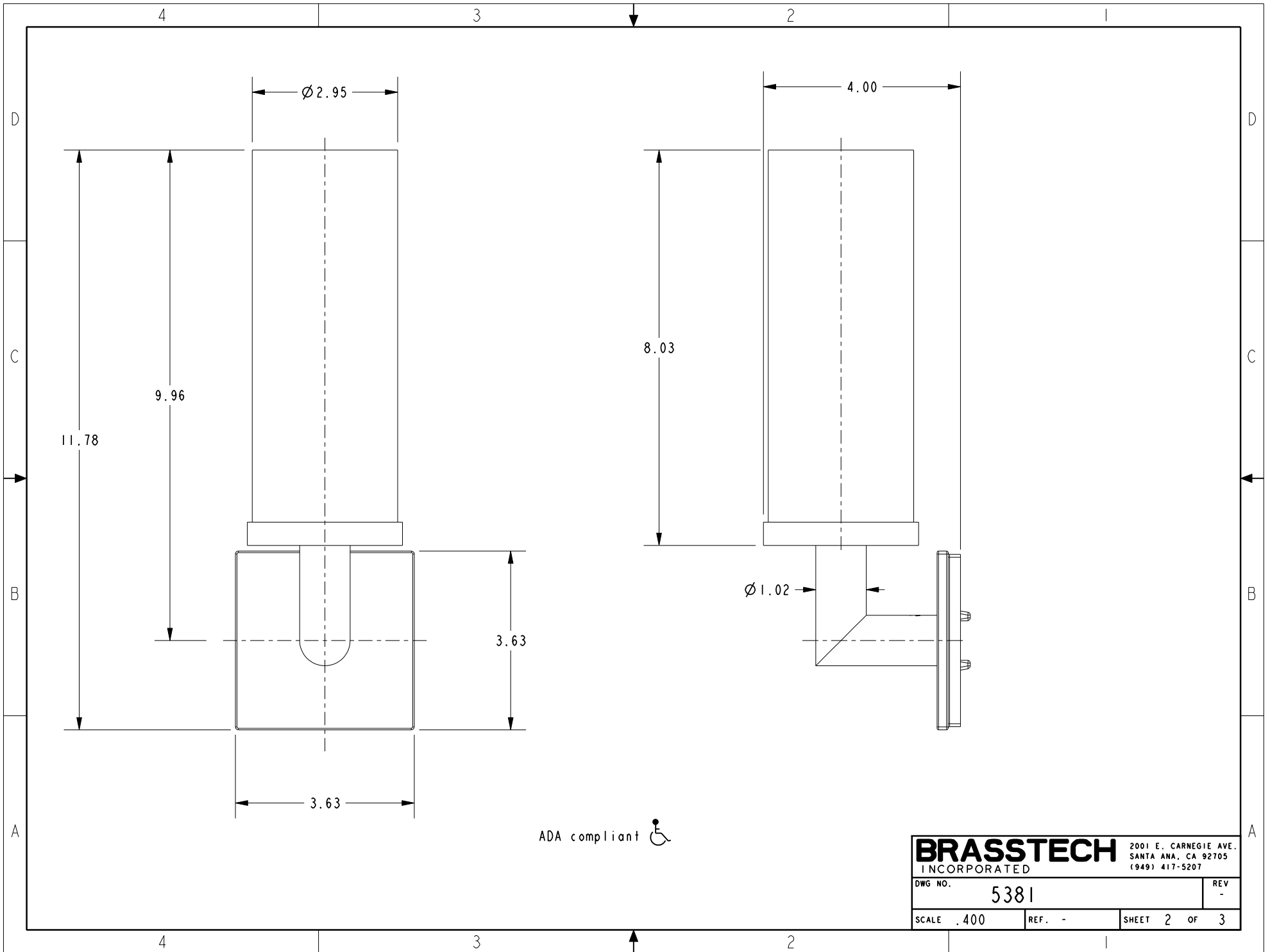
BRASSTECH 2001 CARNEGIE AVE.
 INCORPORATED SANTA ANA, CA 92705
 (949) 417-5207


SINGLE LIGHT W/SMALL BASE

EN-2927	08/21/15	J.M.
ZONE	REV	DESCRIPTION

COPYRIGHT 2005 BRASSTECH, INC.
 THESE DRAWINGS AND THE DESIGNS
 DEPICTED HEREIN ARE THE PROPRIETARY
 PROPERTY OF BRASSTECH. ANY USE
 OR REPRODUCTION IS SUBJECT TO
 THE EXPRESS APPROVAL OF BRASSTECH.
 UNAUTHORIZED USE IS STRICTLY
 PROHIBITED. ALL RIGHTS RESERVED.

DRAWN	R.S.	08/21/15	DWG NO.	5381	REV	-
CHECKED	J.M.	08/21/15	SCALE	.375	REF.	-
APPROVED	J.M.	08/21/15	SHEET	1	OF	3

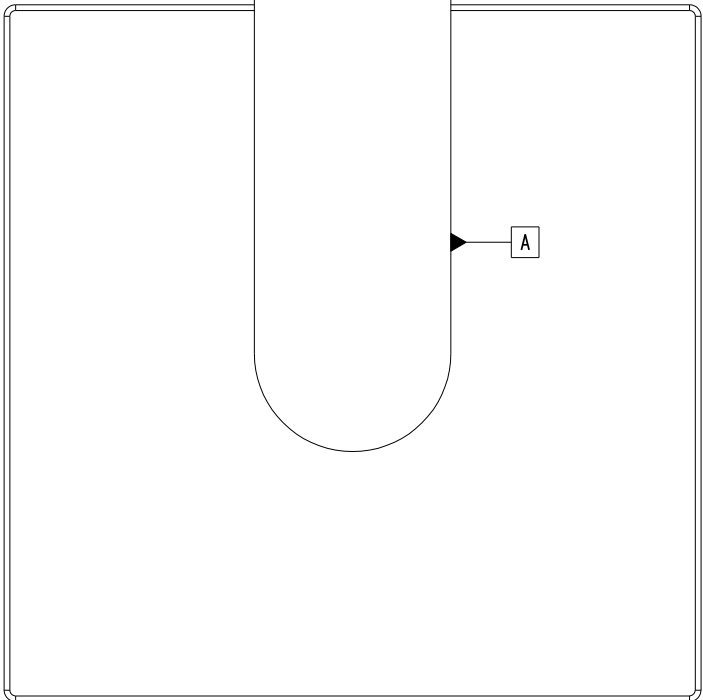


ADA compliant 

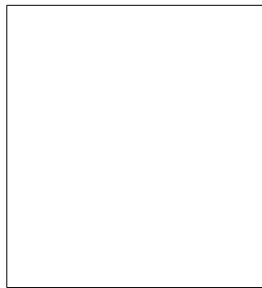
BRASSTECH		2001 E. CARNEGIE AVE. SANTA ANA, CA 92705 (949) 417-5207	
DWG NO.	5381	REV	-
SCALE	.400	REF.	-
		SHEET	2 OF 3

CAUTION - RISK OF FIRE
MAX 100 WATTS TYPE A19

MONTH YEAR E222146

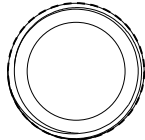


③ 3.63
② // .03 A



MONTH YEAR E222146

U.L.®



PNXXX SUITABLE
FOR DAMP LOCATIONS

WALL MOUNT ONLY

BRASSTECH		2001 E. CARNEGIE AVE. SANTA ANA, CA 92705 (949) 417-5207	
INCORPORATED			
DWG NO.	5381	REV	-
SCALE	1.000	REF.	-
		SHEET	3 OF 3