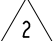
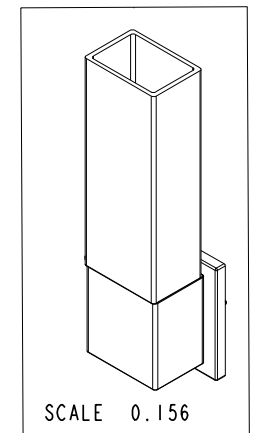
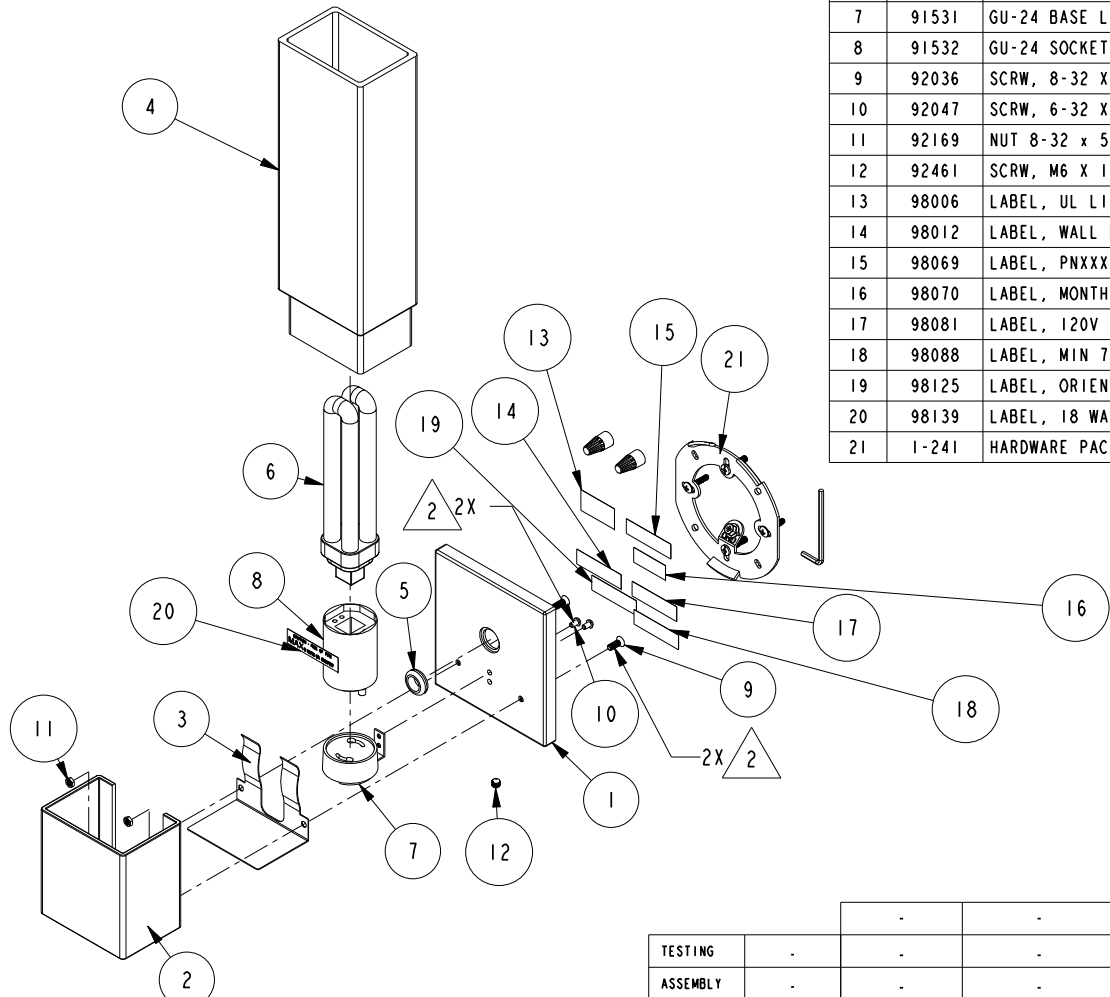


NOTES:

- (N1) 1. FIT / FORM / FUNCTION SHALL FOLLOW PS-E.008.
- (N2)  2 APPLY PERMANENT THREAD LOCKER (LOCTITE 680)

BILL OF MATERIAL (CURRENT LEVEL)

ITEM	PT/ASSY	DESCRIPTION	TYPE	QTY.
1	40410	LIGHT BASE	PART	1
2	40411	LIGHT COVER	PART	1
3	40436	BOTTOM COVER / SPRING CLIP	PART	1
4	80772	GLASS SHADE	PART	1
5	91033	GROMMET - RUBBER	PART	1
6	91513	18W, 4-Pin (G24Q-2) BASE, COMPACT FLUORESCENT LAMP, 2700K WARM WHITE COLOR	PART	1
7	91531	GU-24 BASE LAMPHOLDER -QUICK CONNECT	PART	1
8	91532	GU-24 SOCKET SELF BALLASTED LAMPHOLDER -QUICK CONNECT	PART	1
9	92036	SCRW, 8-32 X 3/8 PHL FT HD BRASS	PART	2
10	92047	SCRW, 6-32 X 1/4 SLT RD HD SS	PART	2
11	92169	NUT 8-32 x 5/16 STL	PART	2
12	92461	SCRW, M6 X 1 X 6 SKT HD CONE PT SS	PART	1
13	98006	LABEL, UL LISTED	PART	1
14	98012	LABEL, WALL MOUNT ONLY	PART	1
15	98069	LABEL, PNXXX, SUITABLE FOR DAMP LOCATIONS	PART	1
16	98070	LABEL, MONTH YEAR E191501	PART	1
17	98081	LABEL, 120V / 60H / 18W	PART	1
18	98088	LABEL, MIN 75 C SUPPLY CONDUCTORS	PART	1
19	98125	LABEL, ORIENTATION MARKING	PART	1
20	98139	LABEL, 18 WATT MAX CFL PERMITTED	PART	1
21	1-241	HARDWARE PACK	ASSEMBLY	1



COPYRIGHT 2005 BRASSTECH, INC.
 THESE DRAWINGS AND THE DESIGNS
 DEPICTED HEREIN ARE THE PROPRIETARY
 PROPERTY OF BRASSTECH. ANY USE
 OR REPRODUCTION IS SUBJECT TO
 THE EXPRESS APPROVAL OF BRASSTECH.
 UNAUTHORIZED USE IS STRICTLY
 PROHIBITED. ALL RIGHTS RESERVED.

-	-	EN-2846	11/06/15	J.M.
ZONE	REV	DESCRIPTION	DATE	APPROVED

TESTING	-	-	-
ASSEMBLY	-	-	-
PLATING	-	-	-
POLISHING	-	NEXT ASSY	USED ON
MACHINING	-	APPLICATION	
TOOLING FIXTURE #	REMOVE ALL BURRS AND SHARP EDGES		

UNITS ARE: INCHES [MM]
 TOLERANCES ARE:
 FRACTIONS DECIMALS ANGLES
 $\pm 1/16"$.X $\pm .1$ [2.5] $\pm 1^\circ$
 .XX $\pm .06$ [1.5]

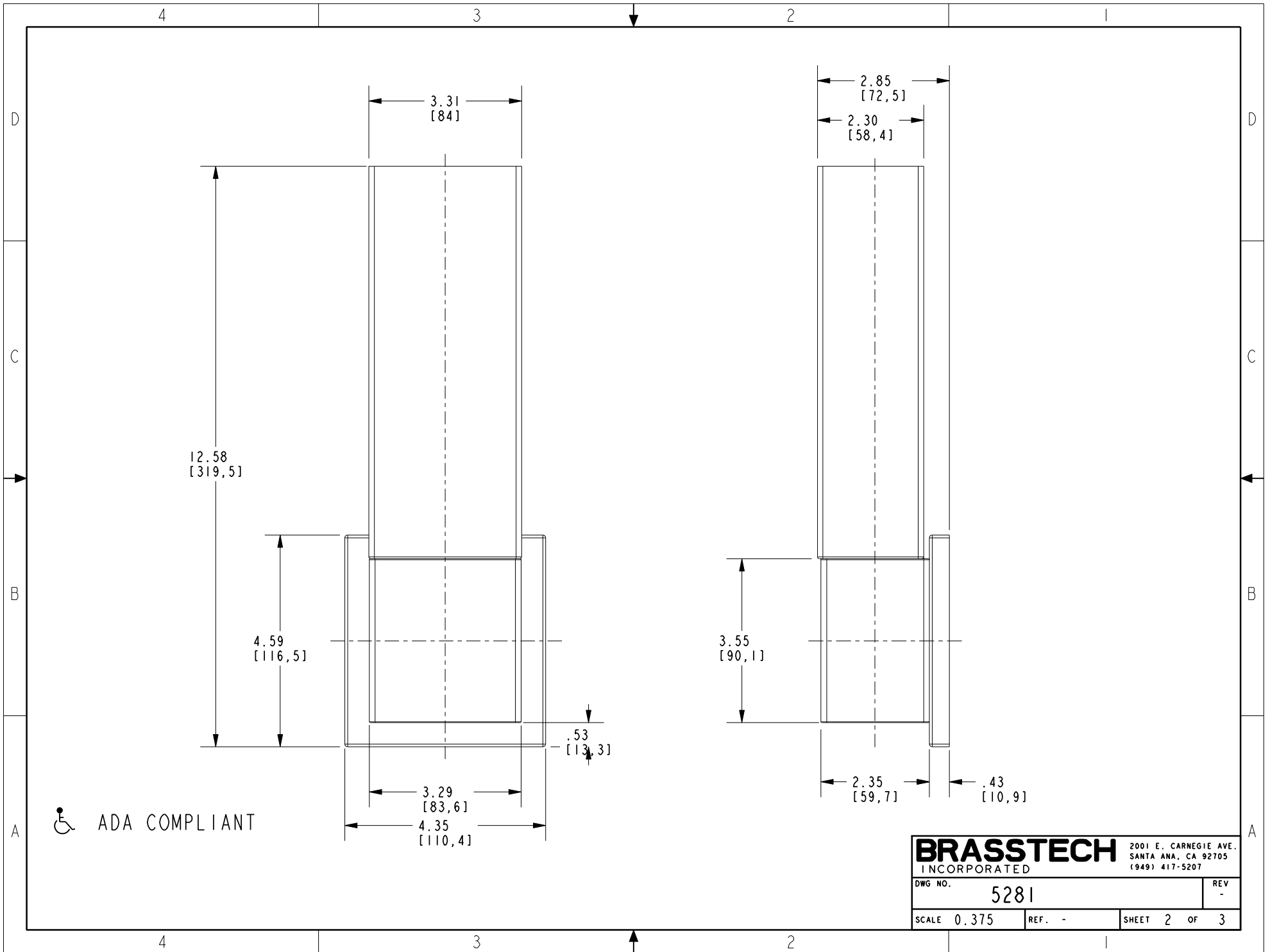
(X.XXX) DENOTES CRITICAL DIMS.
 ALL THREADS ARE CRITICAL

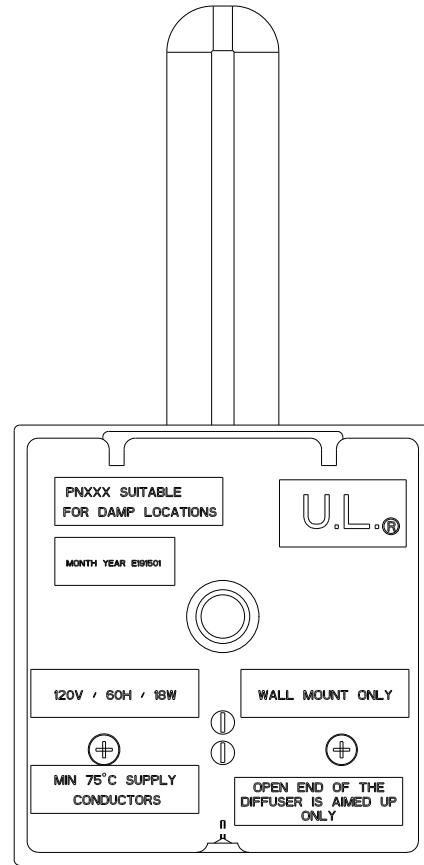
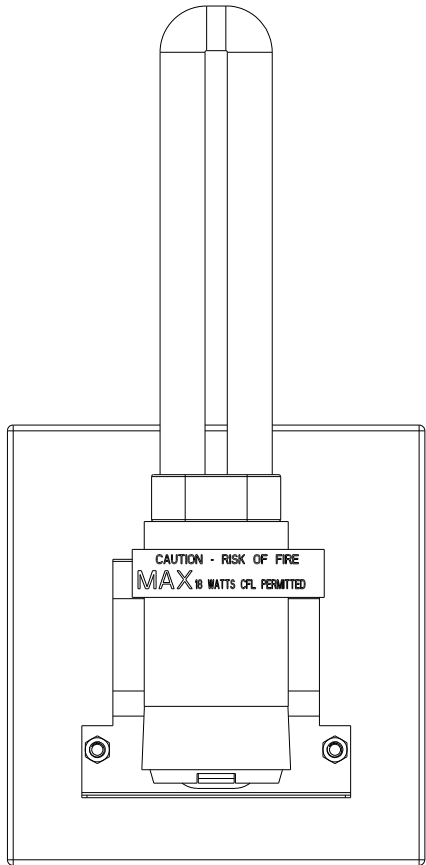
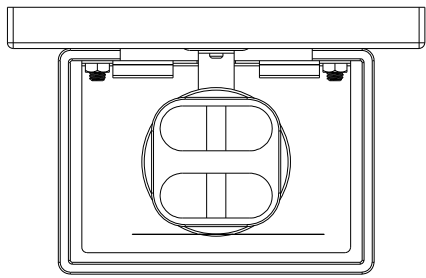
DRAWN	R.S.	11/06/15
CHECKED	J.M.	11/06/15
APPROVED	J.M.	11/06/15

BRASSTECH 2001 CARNEGIE AVE.
 INCORPORATED SANTA ANA, CA 92705
 (949) 417-5207

SINGLE LIGHT

DWG NO. **5281** REV -
 SCALE 0.187 REF. - SHEET 1 OF 3





BRASSTECH		2001 E. CARNEGIE AVE.	
INCORPORATED		SANTA ANA, CA 92705	
		(949) 417-5207	
DWG NO.	5281	REV	-
SCALE	0.500	REF.	-
		SHEET	3 OF 3