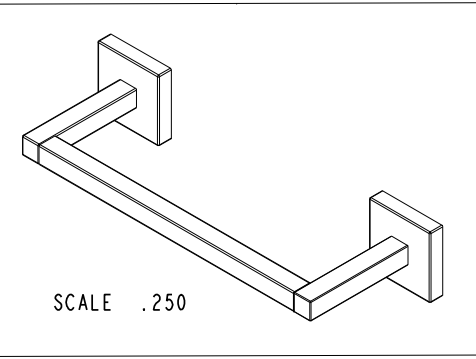
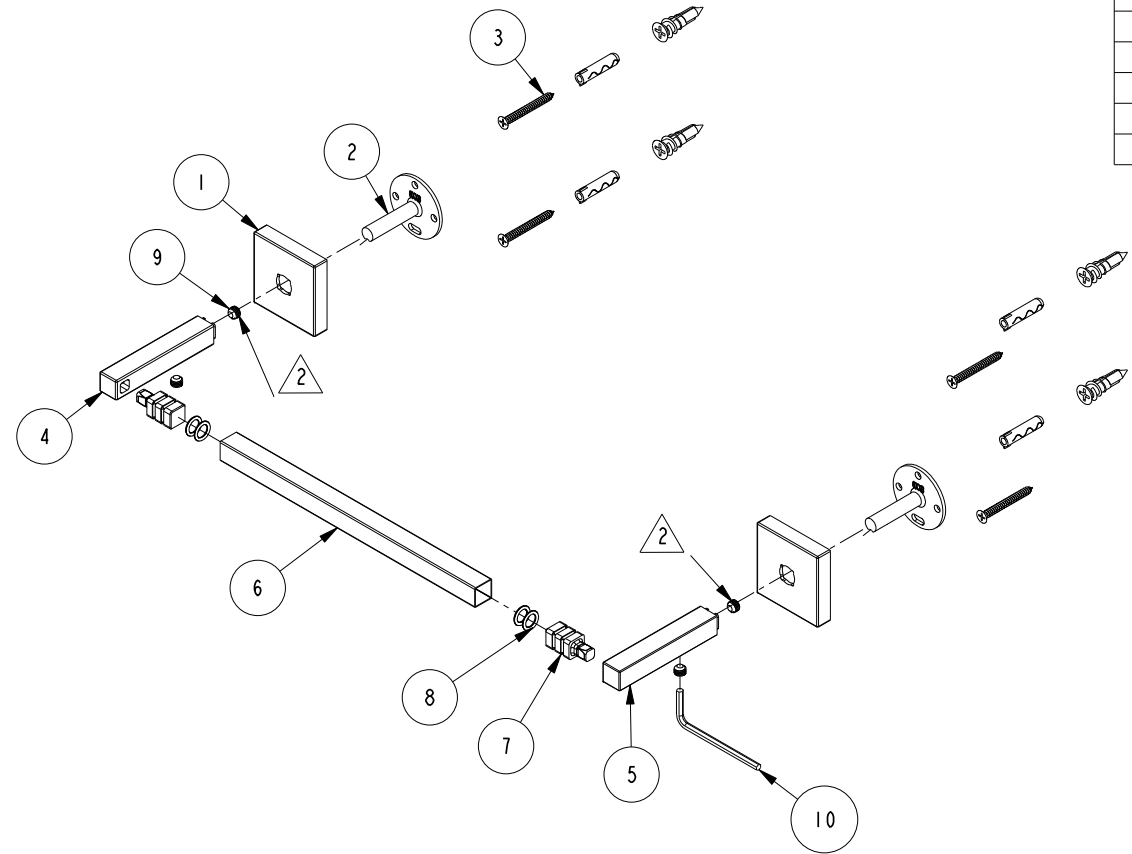


NOTES:

(N1) 1. FIT / FORM / FUNCTION SHALL FOLLOW PS-E.008.

(N2)  APPLY LOCTITE 680.



BILL OF MATERIAL (CURRENT LEVEL)				
ITEM	PT/ASSY	DESCRIPTION	TYPE	QTY.
1	40596	ESCUTCHEON	PART	2
2	6XXB	MOUNTING BRACKET	PART	2
3	1-206	HARDWARE PACK	ASSEMBLY	2
4	40598	POST - LEFT	PART	1
5	40597	POST - RIGHT	PART	1
6	40600	TOWEL BAR TUBE	PART	1
7	40609	TUBE ADAPTER	PART	2
8	91255	O-RING, #2- 011, EPDM, 65-75 DURO, NSF-61	PART	4
9	92563	SCRW, 1/4-28 X 3/16 SKT HD CUP PT SS	PART	4
10	92422	HEX KEY, 1/8' ALLOY STEEL	PART	1

TESTING	-	-	-	UNITS ARE: INCHES [MM]
ASSEMBLY	-	-	-	TOLERANCES ARE:
PLATING	-	-	-	FRACTIONS DECIMALS ANGLES
POLISHING	-	-	-	±1/16" .X ±.1 [2,5] ±1"
MACHINING	-	-	-	.XX ±.06 [1,3]
TOOLING FIXTURE #	-	-	-	(X.XXX) DENOTES CRITICAL DIMS.
				ALL THREADS ARE CRITICAL
				DRAWN R.S. 11/06/15
				CHECKED J.M. 11/06/15
				APPROVED J.M. 11/06/15
				APPLICATION REMOVE ALL BURRS AND SHARP EDGES

BRASSTECH 2001 CARNEGIE AVE.
SANTA ANA, CA 92705
(949) 417-5207
INCORPORATED

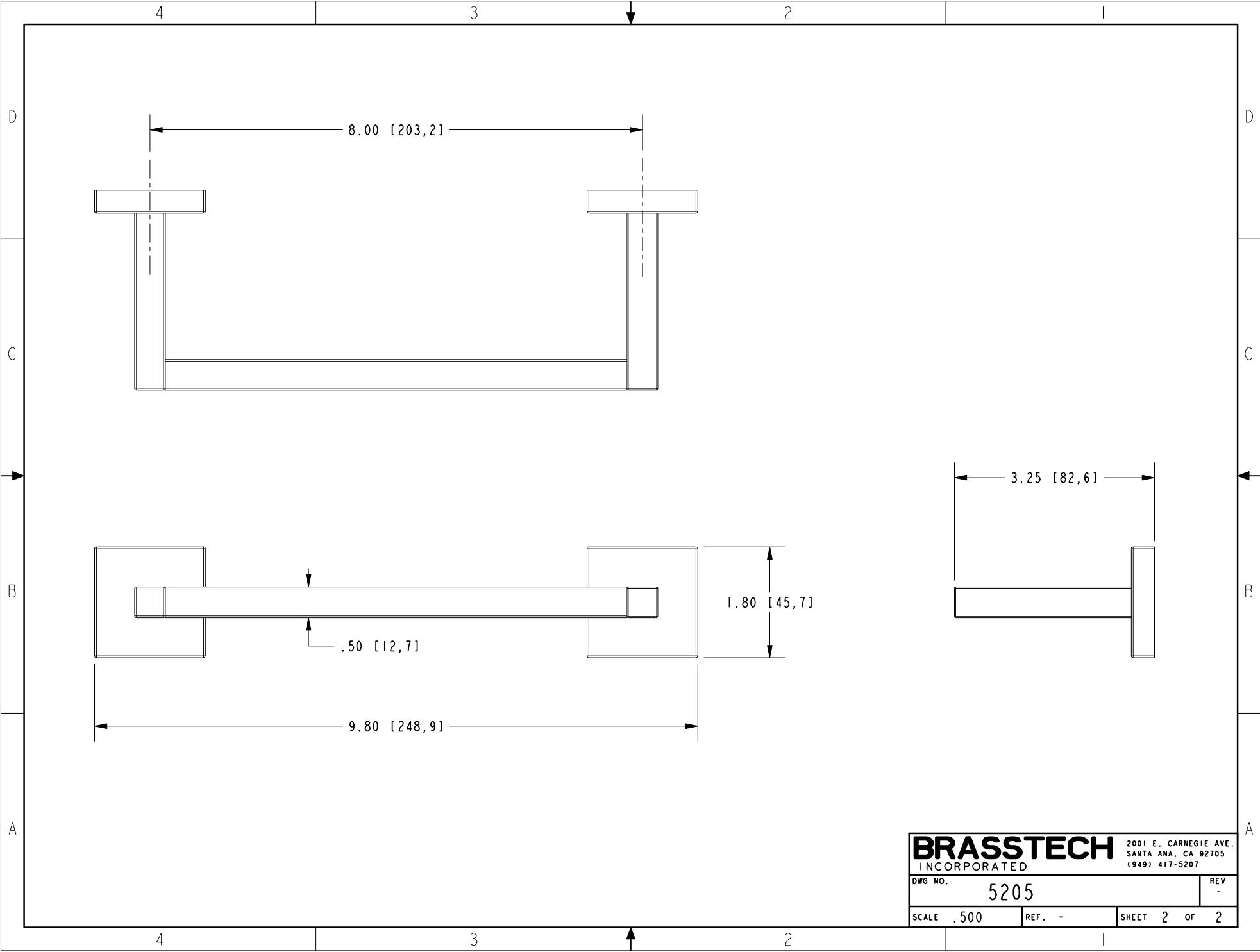
8" TOWEL BAR

DWG NO. 5205

SCALE .250 REF. - SHEET 1 OF 2

COPYRIGHT 2005 BRASSTECH, INC. THESE DRAWINGS AND THE DESIGNS DEPICTED HEREIN ARE THE PROPRIETARY PROPERTY OF BRASSTECH. ANY USE OR REPRODUCTION IS SUBJECT TO THE EXPRESS APPROVAL OF BRASSTECH. UNAUTHORIZED USE IS STRICTLY PROHIBITED. ALL RIGHTS RESERVED.

EN-2846	11/06/15	J.M.
ZONE	REV	DESCRIPTION
		DATE
		APPROVED



BRASSTECH		2001 E. CARNEGIE AVE.
INCORPORATED		SANTA ANA, CA 92705
		(949) 417-5207
DWG NO.	5205	REV -
SCALE .500	REF. -	SHEET 2 OF 2