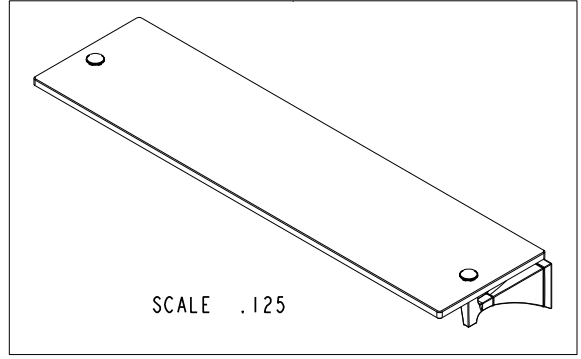
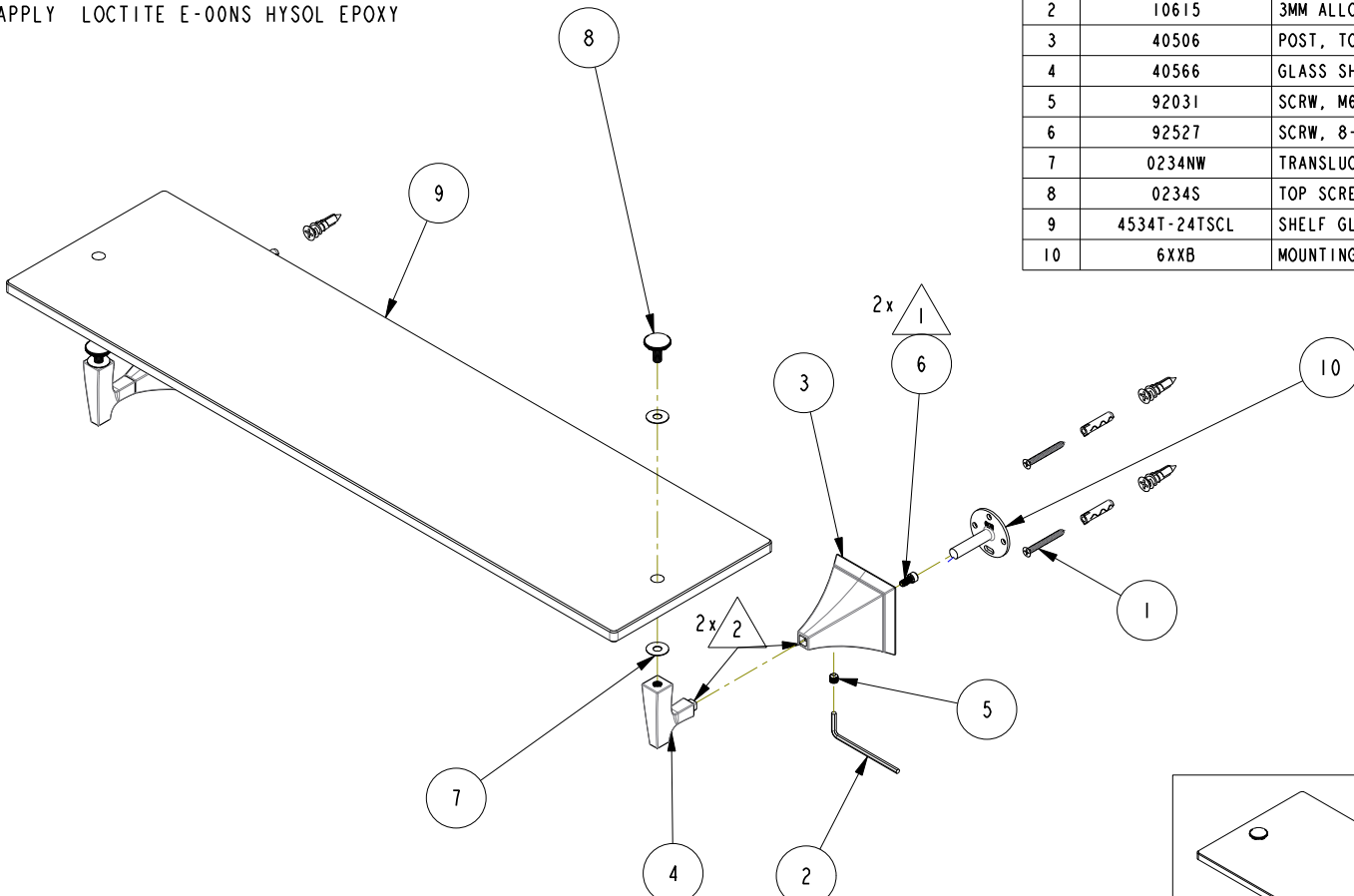


1 APPLY LOCTITE 680.

2 APPLY LOCTITE E-00NS HYSOL EPOXY

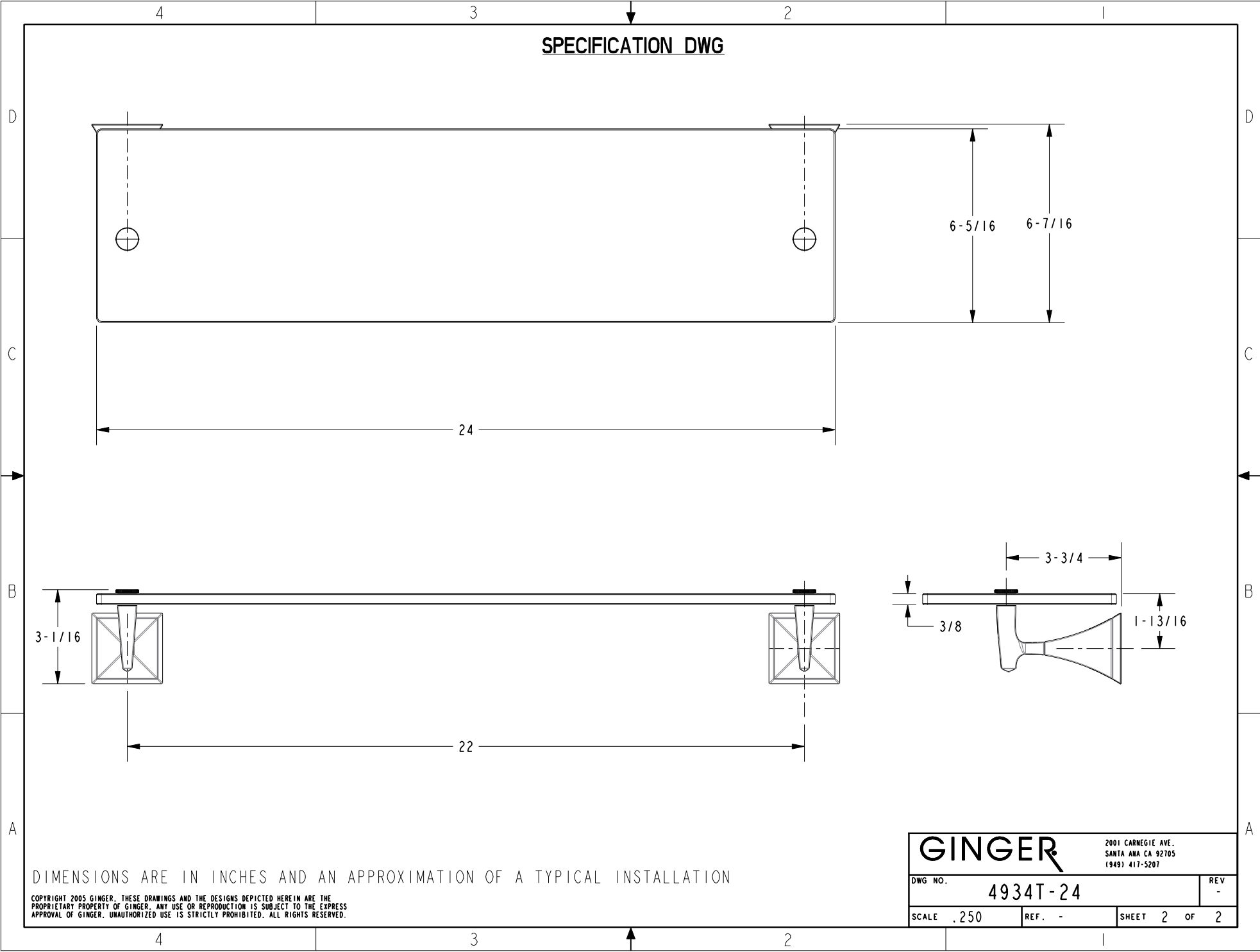
BILL OF MATERIAL (CURRENT LEVEL)				
ITEM	PT/ASSY	DESCRIPTION	TYPE	QTY.
1	1-206	HARDWARE PACK	ASSEMBLY	2
2	10615	3MM ALLOY STEEL HEX KEY	PART	1
3	40506	POST, TOWEL BAR	PART	2
4	40566	GLASS SHELF - FINIAL	PART	2
5	92031	SCRW, M6 X 1 X 6 SKT HD CUP PT SS	PART	2
6	92527	SCRW, 8-32 X 3/8 SKT CAP HD SS	PART	2
7	0234NW	TRANSLUCENT NYLON WASHER	PART	4
8	0234S	TOP SCREW	PART	2
9	4534T-24TSL	SHELF GLASS	PART	1
10	6XXB	MOUNTING BRACKET	PART	2



COPYRIGHT 2005 GINGER. THESE DRAWINGS AND THE DESIGNS DEPICTED HEREIN ARE THE PROPRIETARY PROPERTY OF GINGER. ANY USE OR REPRODUCTION IS SUBJECT TO THE EXPRESS APPROVAL OF GINGER. UNAUTHORIZED USE IS STRICTLY PROHIBITED. ALL RIGHTS RESERVED.

	2001 CARNEGIE AVE. SANTA ANA CA 92705 (949) 417-5207	GLASS SHELF		ASSY. NO. 4934T-24		-	EN-2087	09/20/13
				SCALE .188	REF. -	SHEET 1 OF 2	REV	REV DESC

SPECIFICATION DWG



DIMENSIONS ARE IN INCHES AND AN APPROXIMATION OF A TYPICAL INSTALLATION

COPYRIGHT 2005 GINGER. THESE DRAWINGS AND THE DESIGNS DEPICTED HEREIN ARE THE PROPRIETARY PROPERTY OF GINGER. ANY USE OR REPRODUCTION IS SUBJECT TO THE EXPRESS APPROVAL OF GINGER. UNAUTHORIZED USE IS STRICTLY PROHIBITED. ALL RIGHTS RESERVED.

GINGER		2001 CARNEGIE AVE. SANTA ANA CA 92705 (949) 417-5207	
DWG NO.	4934T-24	REV	-
SCALE	.250	REF.	-
		SHEET	2 OF 2