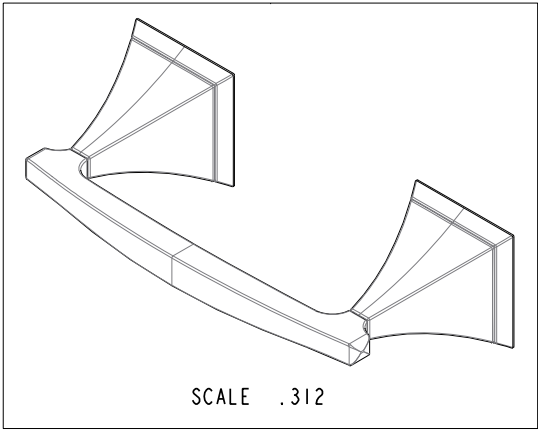
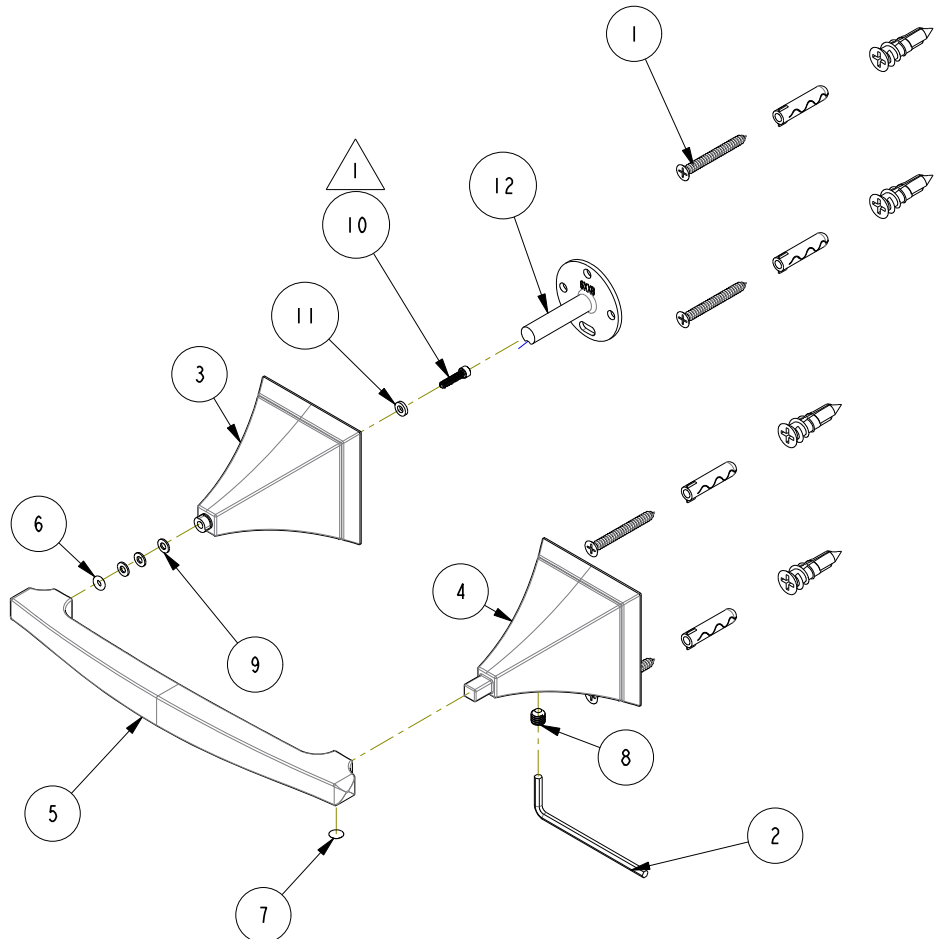


BILL OF MATERIAL (CURRENT LEVEL)				
ITEM	PT/ASSY	DESCRIPTION	TYPE	QTY.
1	1-206	HARDWARE PACK	ASSEMBLY	2
2	10615	3MM ALLOY STEEL HEX KEY	PART	1
3	40513	POST LEFT , PIVOT TT HOLDER	PART	1
4	40514	POST RIGHT , PIVOT TT HOLDER	PART	1
5	40515	ARM - DOUBLE POST PIVOT TOILET TISSUE HOLDER	PART	1
6	91100	O-RING, #2-006, EPDM, 65-75 DURO	PART	1
7	91254	POLY BUMPER PAD, DIA .250" X .062"	PART	1
8	92031	SCRW, M6 X 1 X 6 SKT HD CUP PT SS	PART	2
9	92441	WSHR, .12 ID X .25 OD X .02-.04 THK, FLT, DELRIN	PART	3
10	92442	SCRW, 4-40 X 1/2 SKT HD CAP SS	PART	1
11	92479	WSHR FLT. 18-8 SS 1/4" OD, 1/8" ID, .05"-.08" THICK	PART	1
12	6XXB	MOUNTING BRACKET	PART	2

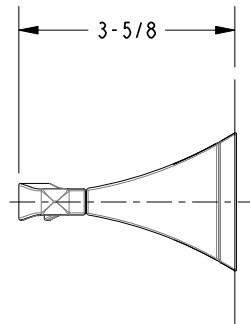
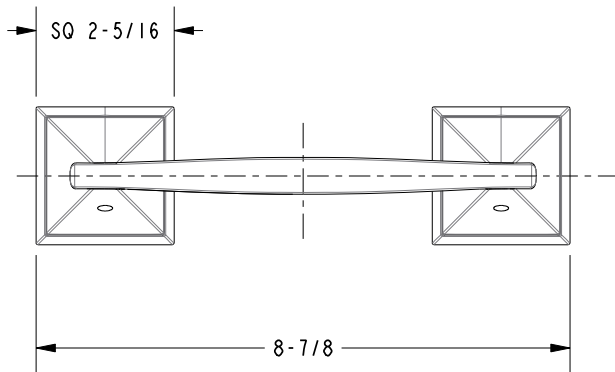
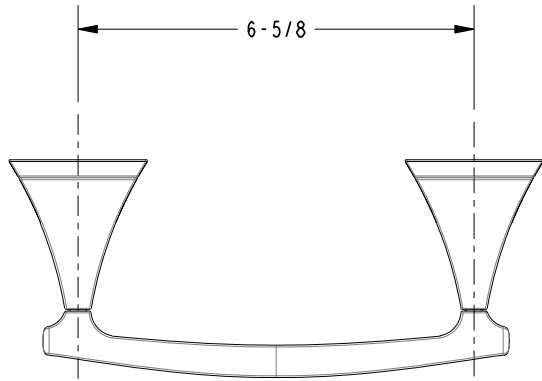
1 APPLY LOCTITE 680.



COPYRIGHT 2005 GINGER. THESE DRAWINGS AND THE DESIGNS DEPICTED HEREIN ARE THE PROPRIETARY PROPERTY OF GINGER. ANY USE OR REPRODUCTION IS SUBJECT TO THE EXPRESS APPROVAL OF GINGER. UNAUTHORIZED USE IS STRICTLY PROHIBITED. ALL RIGHTS RESERVED.

GINGER	2001 CARNEGIE AVE. SANTA ANA CA 92705 (949) 417-5207	DOUBLE POST PIVOTING TOILET TISSUE HOLDER	ASSY. NO. 4908		-	EN-2087	09/20/13	
			SCALE .313	REF. -	SHEET 1 OF 2	REV	REV DESC	DATE

SPECIFICATION DWG



DIMENSIONS ARE IN INCHES AND AN APPROXIMATION OF A TYPICAL INSTALLATION

COPYRIGHT 2005 GINGER. THESE DRAWINGS AND THE DESIGNS DEPICTED HEREIN ARE THE PROPRIETARY PROPERTY OF GINGER. ANY USE OR REPRODUCTION IS SUBJECT TO THE EXPRESS APPROVAL OF GINGER. UNAUTHORIZED USE IS STRICTLY PROHIBITED. ALL RIGHTS RESERVED.

GINGER		2001 CARNEGIE AVE. SANTA ANA CA 92705 (949) 417-5207	
DWG NO.	4908	REF.	REV -
SCALE	.313	SHEET	2 OF 2