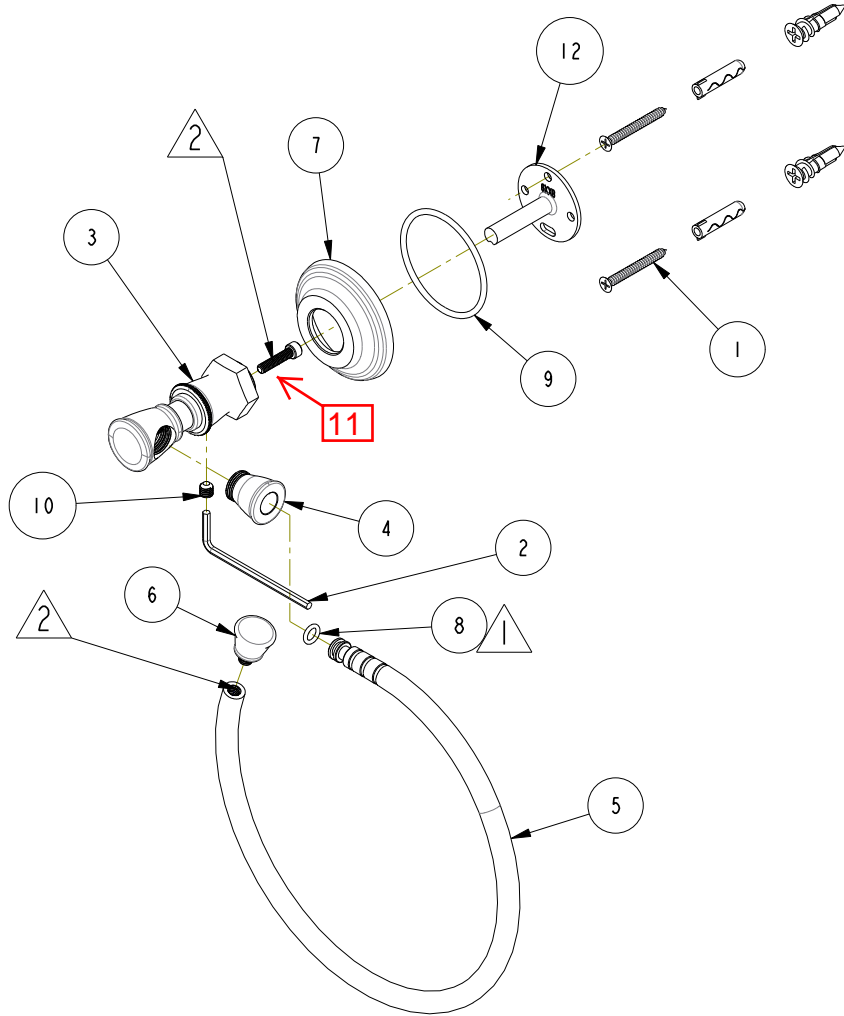


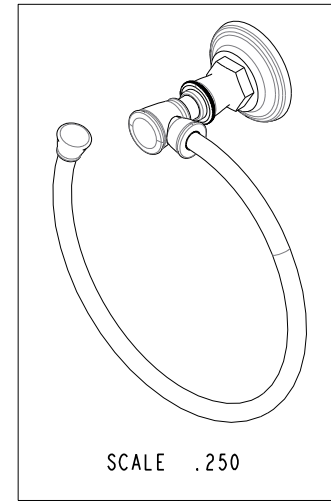
NOTES:

- 1 APPLY LIGHT FILM OF DOW 111 CRONING SILICON GREASE
- 2 APPLY PERMANENT THREAD LOCKER (LOCTITE 680)
- 3.PLACE ITEM# 1 AND 2 IN SEPARATE BAG



**BILL OF MATERIAL (CURRENT LEVEL)**

ITEM	PT/ASSY	DESCRIPTION	TYPE	QTY.
1	I-206	HARDWARE PACK	ASSEMBLY	1
2	10615	3MM ALLOY STEEL HEX KEY	PART	1
3	40535	POST	PART	1
4	40536	FINIAL	PART	1
5	40537	RING	PART	1
6	40538	RING CAP	PART	1
7	40553	ESCUTCHEON	PART	1
8	91049	O-RING, #2- 010, EPDM, 65-75 DURO, NSF 61	PART	4
9	91298	O-RING, #2-134	PART	1
10	92031	SCRW, M6 X 1 X 6 SKT HD CUP PT SS	PART	1
11	92528	SCRW, 8-32 X 3/4 SKT CAP HD SS	PART	1
12	6XXB	MOUNTING BRACKET	PART	1



COPYRIGHT 2005 GINGER. THESE DRAWINGS AND THE DESIGNS DEPICTED HEREIN ARE THE PROPRIETARY PROPERTY OF GINGER. ANY USE OR REPRODUCTION IS SUBJECT TO THE EXPRESS APPROVAL OF GINGER. UNAUTHORIZED USE IS STRICTLY PROHIBITED. ALL RIGHTS RESERVED.

**GINGER**

2001 CARNEGIE AVE.  
SANTA ANA CA 92705  
(949) 417-5207

TOWEL RING

ASSY. NO. 4821

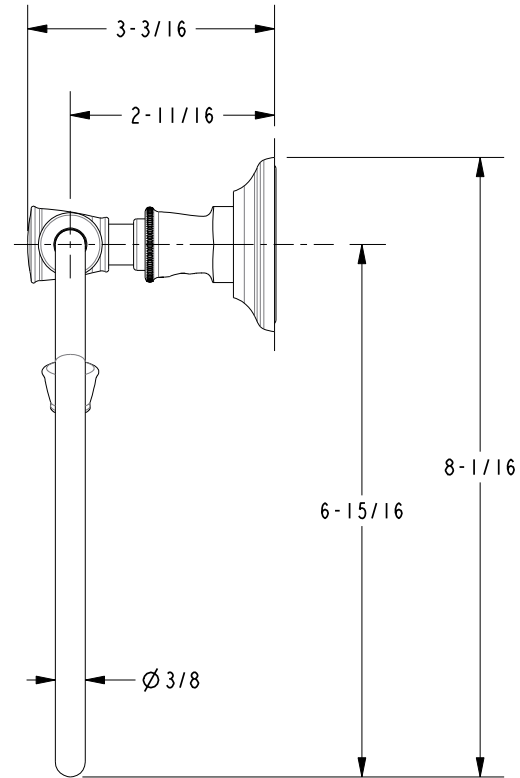
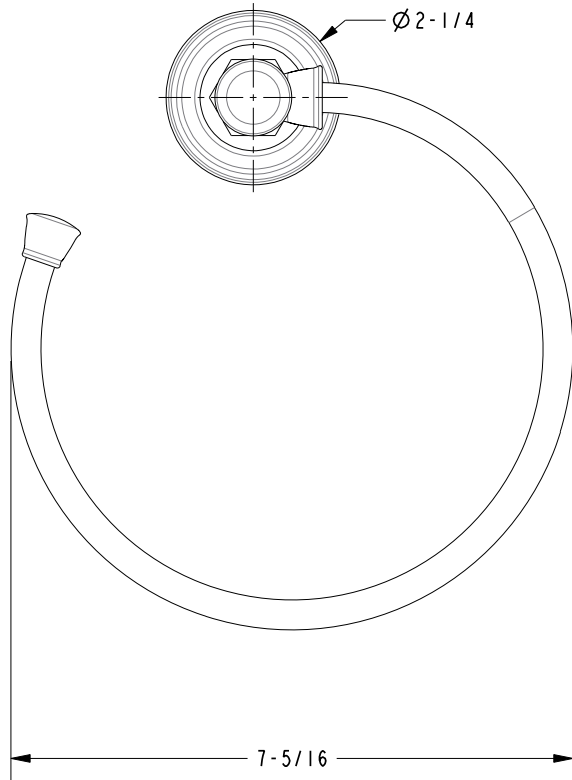
SCALE .300

REF. -

SHEET 1 OF 2

A	EN-2717	04/04/14
-	EN-2086	03/17/14
REV	REV DESC	DATE

**SPECIFICATION DWG**



DIMENSIONS ARE IN INCHES AND AN APPROXIMATION OF A TYPICAL INSTALLATION

COPYRIGHT 2005 GINGER. THESE DRAWINGS AND THE DESIGNS DEPICTED HEREIN ARE THE PROPRIETARY PROPERTY OF GINGER. ANY USE OR REPRODUCTION IS SUBJECT TO THE EXPRESS APPROVAL OF GINGER. UNAUTHORIZED USE IS STRICTLY PROHIBITED. ALL RIGHTS RESERVED.

<b>GINGER</b>		2001 CARNEGIE AVE. SANTA ANA CA 92705 (949) 417-5207	
DWG NO.	4821	REV	A
SCALE	.400	REF.	-
		SHEET	2 OF 2