

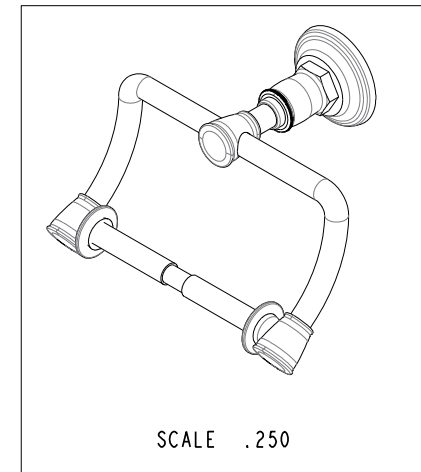
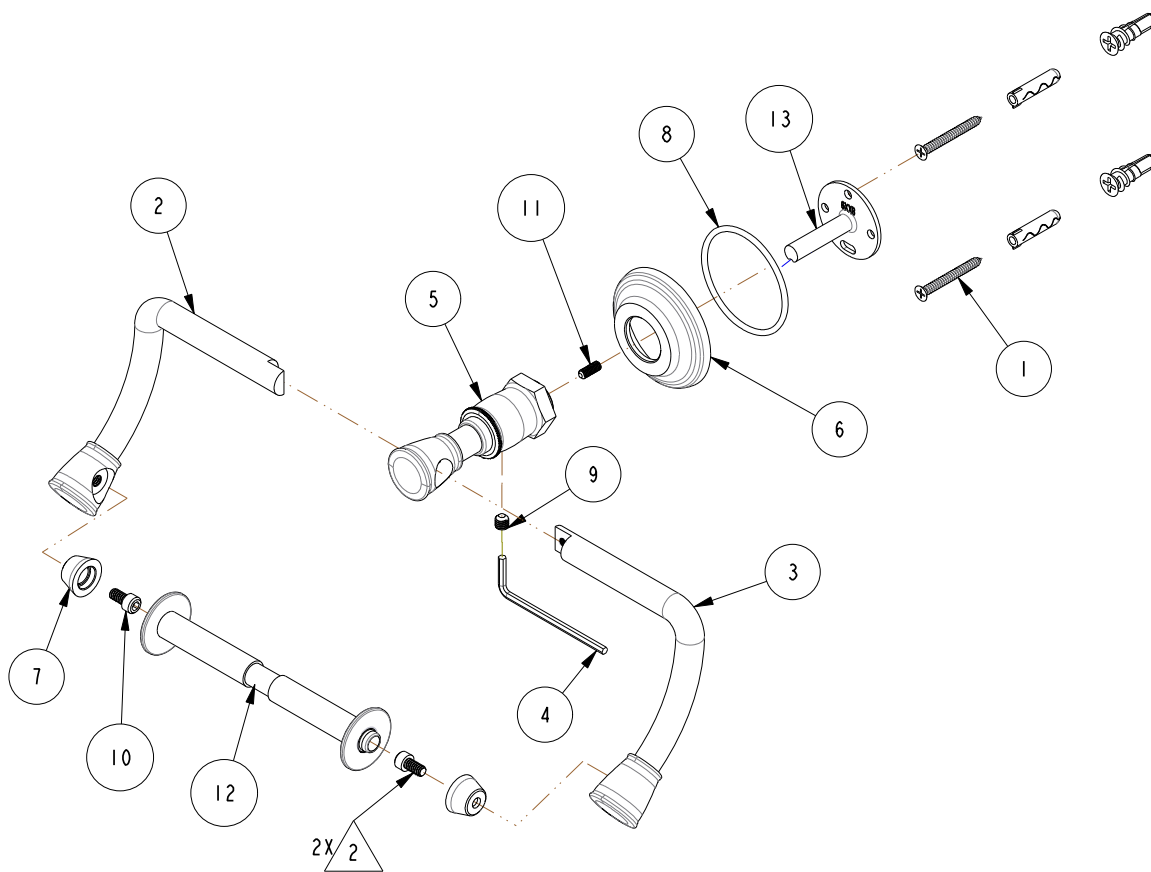
NOTES:

1. PLACE ITEM# 1 AND 4 IN SEPARATE BAG.

2. APPLY ADHESIVE LOCTITE 680 AND TIGHTEN TO 15-20 FT-LBS TORQUE

BILL OF MATERIAL (CURRENT LEVEL)

ITEM	PT/ASSY	DESCRIPTION	TYPE	QTY.
1	1-206	HARDWARE PACK	ASSEMBLY	1
2	7-713	BRAZED TISSUE HOLDER ARM	ASSEMBLY	1
3	7-718	RH BRAZED TISSUE HOLDER ARM	ASSEMBLY	1
4	10615	3MM ALLOY STEEL HEX KEY	PART	1
5	40529	POST	PART	1
6	40553	ESCUTCHEON	PART	1
7	40579	FINIAL	PART	2
8	91298	O-RING, #2-134	PART	1
9	92031	SCRW, M6 X 1 X 6 SKT HD CUP PT SS	PART	1
10	92125	SCRW, 10-24 X 3/8 SKT CAP HD SS	PART	2
11	92489	SCRW, 8-32 X 7/16 SKT HD CUP PT SS	PART	1
12	2608T	TISSUE ROLLER ASM	ASSEMBLY	1
13	6XXB	MOUNTING BRACKET	PART	1



COPYRIGHT 2005 GINGER. THESE DRAWINGS AND THE DESIGNS DEPICTED HEREIN ARE THE PROPRIETARY PROPERTY OF GINGER. ANY USE OR REPRODUCTION IS SUBJECT TO THE EXPRESS APPROVAL OF GINGER. UNAUTHORIZED USE IS STRICTLY PROHIBITED. ALL RIGHTS RESERVED.

GINGER

2001 CARNEGIE AVE.
SANTA ANA CA 92705
(949) 417-5207

SINGLE POST TOILET TISSUE HOLDER

ASSY. NO. 4809

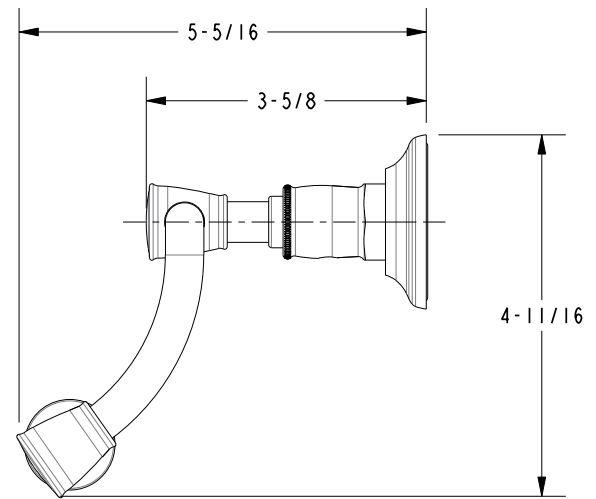
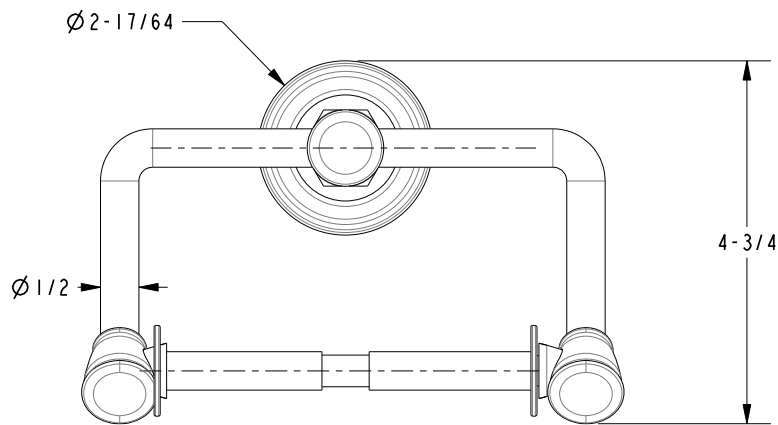
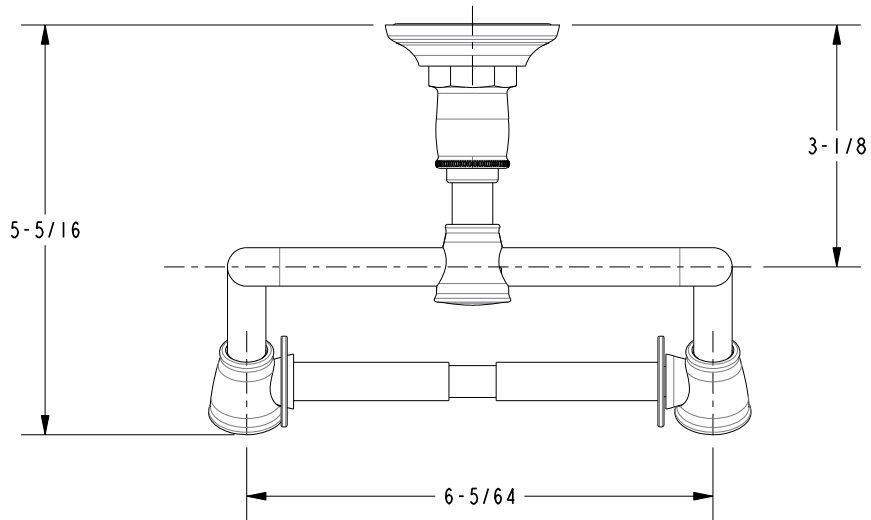
SCALE .300

REF. -

SHEET 1 OF 2

REV	REV DESC	DATE
A	EN-2717	04/04/14
-	EN-2086	09/01/13

SPECIFICATION DWG



DIMENSIONS ARE IN INCHES AND AN APPROXIMATION OF A TYPICAL INSTALLATION

COPYRIGHT 2005 GINGER. THESE DRAWINGS AND THE DESIGNS DEPICTED HEREIN ARE THE PROPRIETARY PROPERTY OF GINGER. ANY USE OR REPRODUCTION IS SUBJECT TO THE EXPRESS APPROVAL OF GINGER. UNAUTHORIZED USE IS STRICTLY PROHIBITED. ALL RIGHTS RESERVED.

GINGER		2001 CARNEGIE AVE. SANTA ANA CA 92705 (949) 417-5207	
DWG NO.	4809	REV	A
SCALE	.400	REF.	-
SHEET 2		OF 2	