

4

3

2

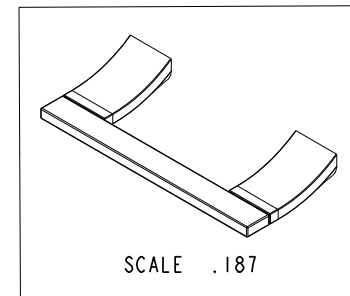
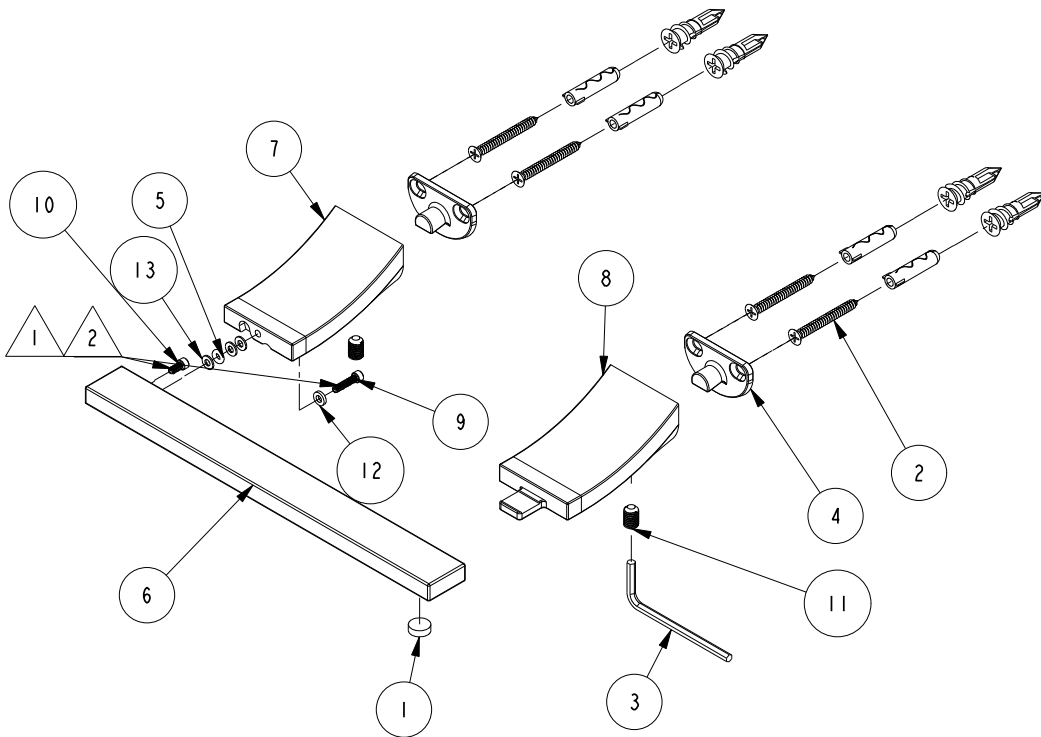
1

NOTES:

- 1 APPLY PERMANENT THREAD LOCKER (LOCTITE 680)
- 2 APPLY 3 IN-LB TORQUE.
- 3. BAG ITEMS 2 AND 3. ASSEMBLE ALL REMAINING.

BILL OF MATERIAL (CURRENT LEVEL)

ITEM	PT/ASSY	DESCRIPTION	TYPE	QTY.
1	91541	BUMPER- ADHESIVE BACKED POLYURETHANE FLT TOP 3/8" DIA 1/8" H BLK (MMC# 95495K66)	PART	1
2	1-206	HARDWARE PACK	ASSEMBLY	2
3	92422	HEX KEY, 1/8" ALLOY STEEL (MMC# 7122A18)	PART	1
4	92437	MOUNTING BRACKET	PART	2
5	91100	O-RING #2-006	PART	1
6	40431	PIVOTING TISSUE BAR	PART	1
7	40437	PIVOTING TISSUE POST LEFT	PART	1
8	40430	PIVOTING TISSUE POST RIGHT	PART	1
9	92442	SCRW, 4-40 X 1/2" SOCKET HD CAP, 18-8 SS (MMC# 92196A110)	PART	1
10	92431	SCRW, 4-40 X 1/4" SOCKET HD CAP, 18-8 SS (MMC# 92196A106)	PART	1
11	92495	SCRW, 1/4-28 X 3/8" CUP POINT SET SS (MMC # 92311A558)	PART	2
12	92479	WASHER FLT. 18-8 SS 1/4" OD, 1/8" ID, .05"-.08" THICK (MMC# 98370A005)	PART	1
13	92441	WASHER, ACETAL .25" OD X .12" ID, (MMC# 95647A112)	PART	3



COPYRIGHT 2005 GINGER. THESE DRAWINGS AND THE DESIGNS DEPICTED HEREIN ARE THE PROPRIETARY PROPERTY OF GINGER. ANY USE OR REPRODUCTION IS SUBJECT TO THE EXPRESS APPROVAL OF GINGER. UNAUTHORIZED USE IS STRICTLY PROHIBITED. ALL RIGHTS RESERVED.

**GINGER**

2001 E. CARNEGIE AVE.  
SANTA ANNA CA 92705  
(949) 417-5207

PIVOTING TISSUE HOLDER

ASSY. NO. 4708N

SCALE .312	REF. -	SHEET 1 OF 2	REV	REV DESC	DATE
------------	--------	--------------	-----	----------	------

C	EN-1884	08/29/11
B	EN-1718	04/04/11
A	EN-1701	02/17/11
-	EN-1294	11/09/10

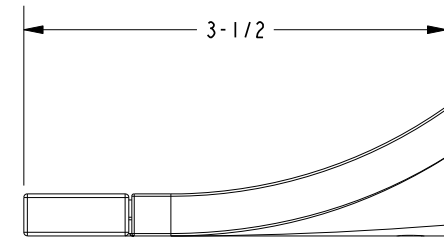
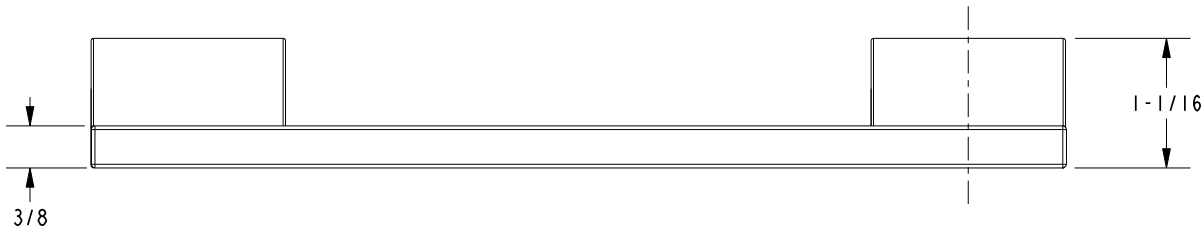
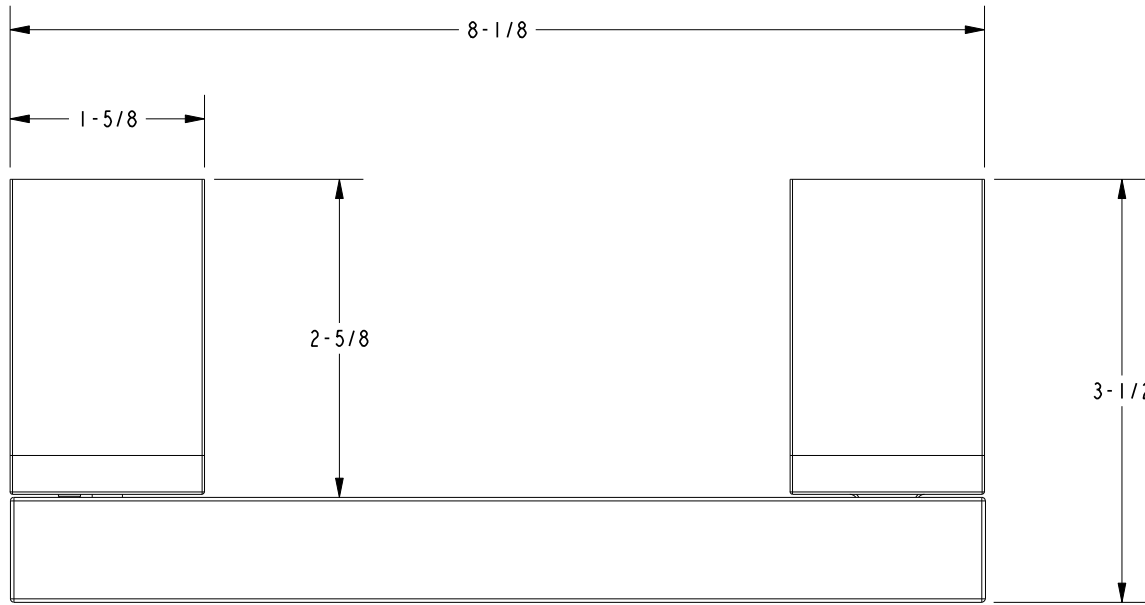
4

3

2

1

**SPECIFICATION DWG**



DIMENSIONS ARE IN INCHES AND AN APPROXIMATION OF A TYPICAL INSTALLATION

COPYRIGHT 2005 GINGER. THESE DRAWINGS AND THE DESIGNS DEPICTED HEREIN ARE THE PROPRIETARY PROPERTY OF GINGER. ANY USE OR REPRODUCTION IS SUBJECT TO THE EXPRESS APPROVAL OF GINGER. UNAUTHORIZED USE IS STRICTLY PROHIBITED. ALL RIGHTS RESERVED.

<b>GINGER</b>		2001 E. CARNEGIE AVE. SANTA ANNA CA 92705 (949) 417-5207	
DWG NO.	4708N	REV	C
SCALE	.625	REF.	-
		SHEET	2 OF 2