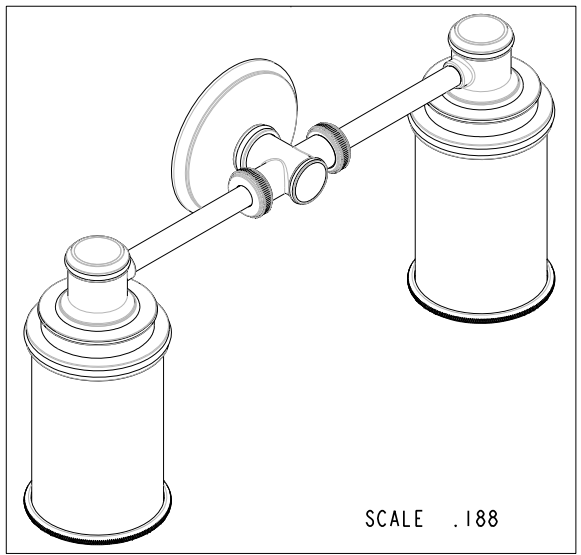


BILL OF MATERIAL (CURRENT LEVEL)

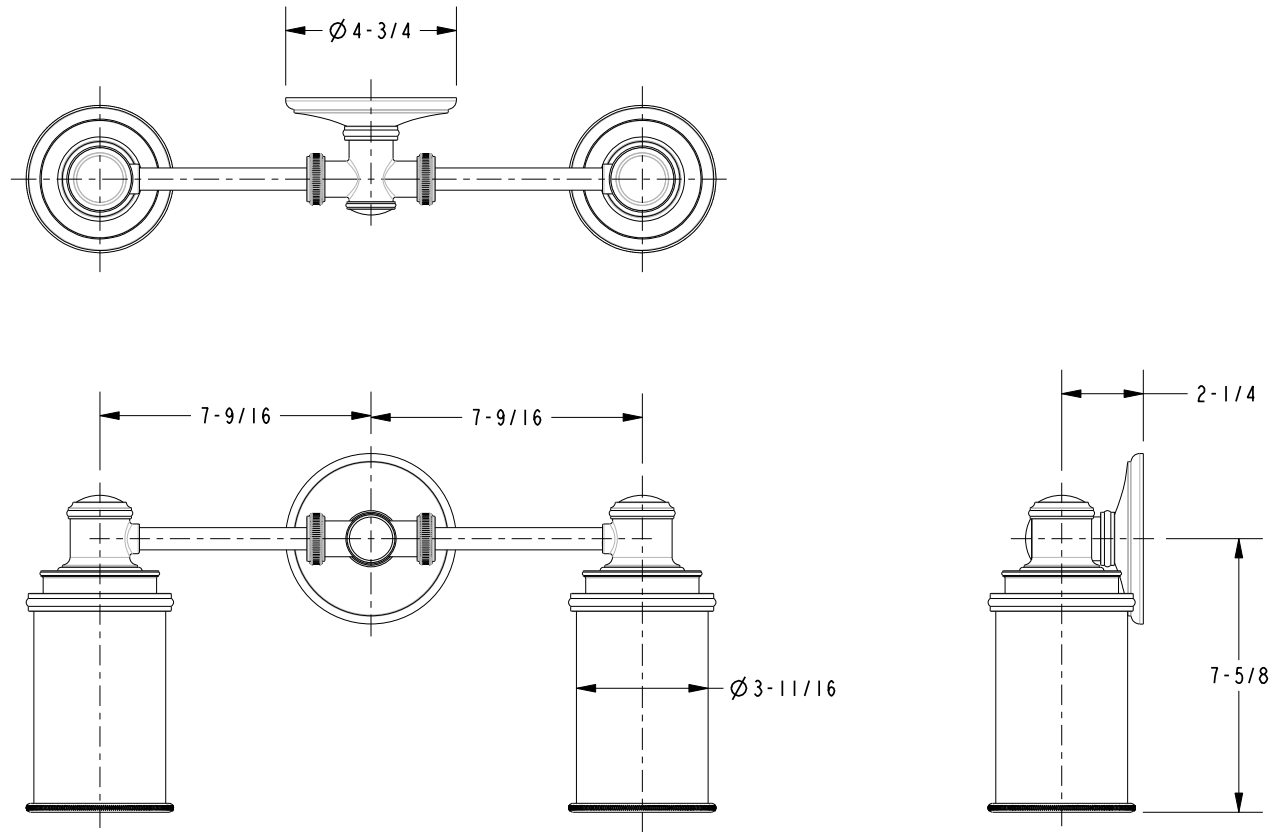
ITEM	PT/ASSY	DESCRIPTION	TYPE	QTY.
1	4581-G-E	4581-G-E	ASSEMBLY	2
2	4582-BAW	DOUBLE LIGHT BODY WIRED	ASSEMBLY	1
3	98006	LABEL, UL LISTED	PART	1
4	98012	LABEL, WALL MOUNT ONLY	PART	1
5	98065	LABEL, DO NOT USE SBCFL MARKED NOT FOR USE IN TOTALLY ENCLOSED LUMINAIRE	PART	2
6	98067	LABEL, USE SBCFL MARKED NOT FOR USE WHERE DIRECTLY EXPOSED TO WATER	PART	2
7	98069	LABEL, PNXXX, FLUORESCENT FOR DAMP LOCATIONS	PART	1
8	98070	LABEL, MONTH YEAR E191501	PART	1
9	98072	LABEL, 18 WATT MAX SBCFL PERMITTED	PART	2
10	98081	LABEL, 120V / 60H / 18W	PART	1
11	CB-002	LIGHT MOUNTING PACK	ASSEMBLY	1
12	GU24-18W	GU24 COMPACT FLUORESCENT SPIRAL MAX. DIA. 2 3/8" MAX. LENGTH 4"	PART	2



COPYRIGHT 2005 GINGER. THESE DRAWINGS AND THE DESIGNS DEPICTED HEREIN ARE THE PROPRIETARY PROPERTY OF GINGER. ANY USE OR REPRODUCTION IS SUBJECT TO THE EXPRESS APPROVAL OF GINGER. UNAUTHORIZED USE IS STRICTLY PROHIBITED. ALL RIGHTS RESERVED.

GINGER	2001 E. CARNEGIE AVE. SANTA ANNA CA 92705 (949) 417-5207	DOUBLE LIGHT	ASSY. NO. 4582		B	EN-1427	12/31/09
			SCALE .188	REF. -	SHEET 1 OF 2	A	EO-0916
					REV	REV DESC	DATE

SPECIFICATION DWG



DIMENSIONS ARE IN INCHES AND AN APPROXIMATION OF A TYPICAL INSTALLATION

COPYRIGHT 2005 GINGER. THESE DRAWINGS AND THE DESIGNS DEPICTED HEREIN ARE THE PROPRIETARY PROPERTY OF GINGER. ANY USE OR REPRODUCTION IS SUBJECT TO THE EXPRESS APPROVAL OF GINGER. UNAUTHORIZED USE IS STRICTLY PROHIBITED. ALL RIGHTS RESERVED.

GINGER		2001 E. CARNEGIE AVE. SANTA ANNA CA 92705 (949) 417-5207	
DWG NO.	4582	REV	B
SCALE	.188	REF.	-
		SHEET	2 OF 2