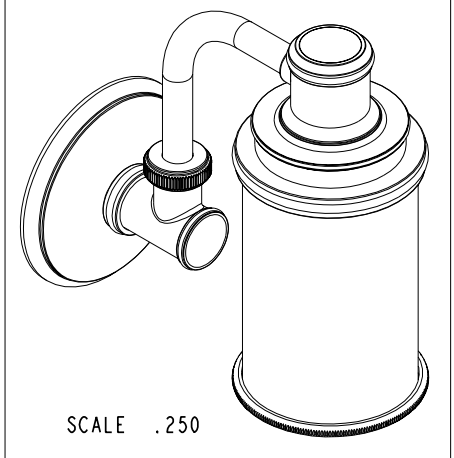
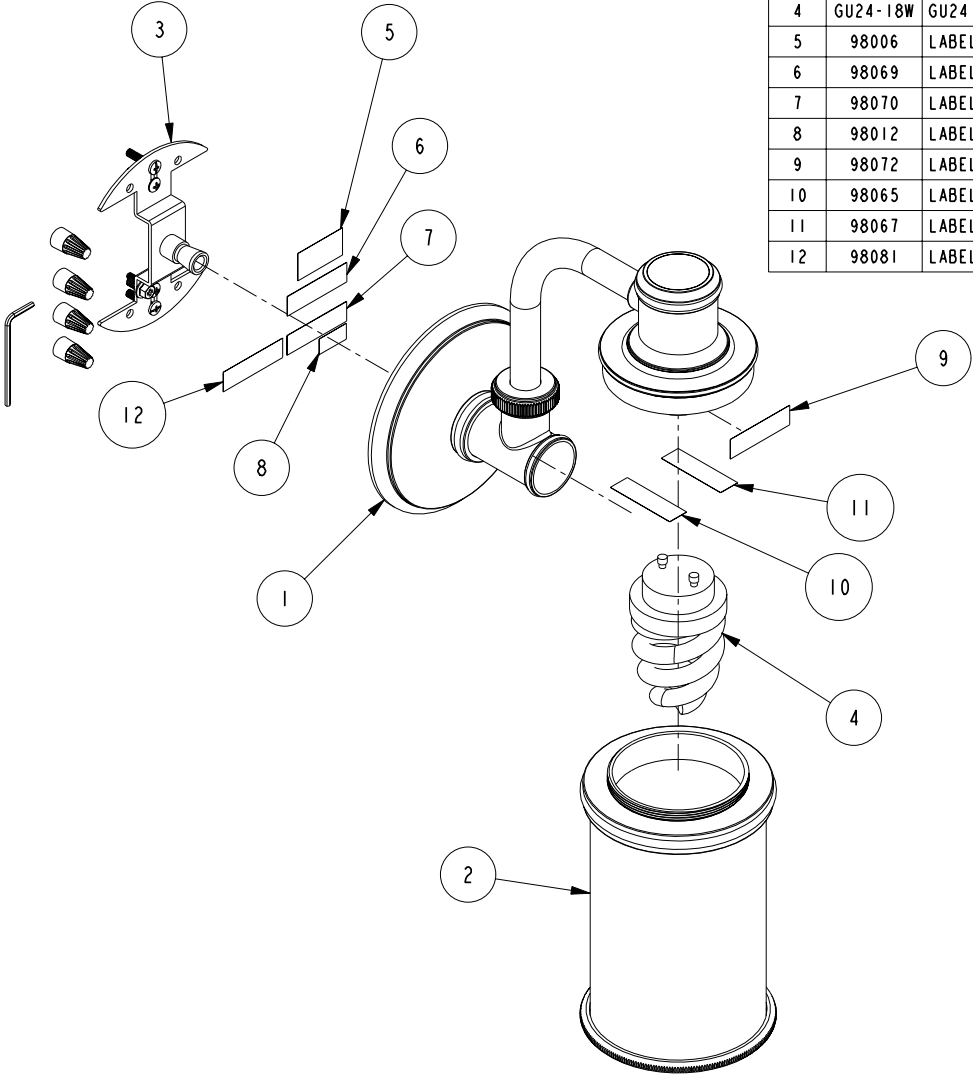


4 3 2 1

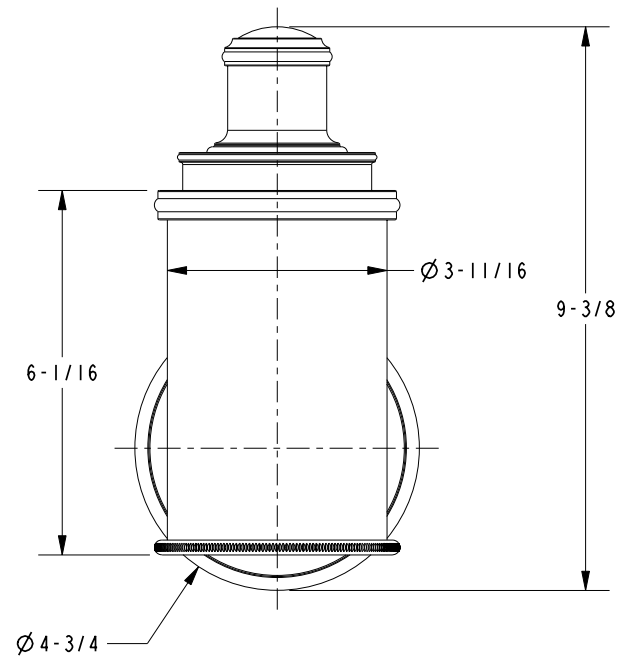
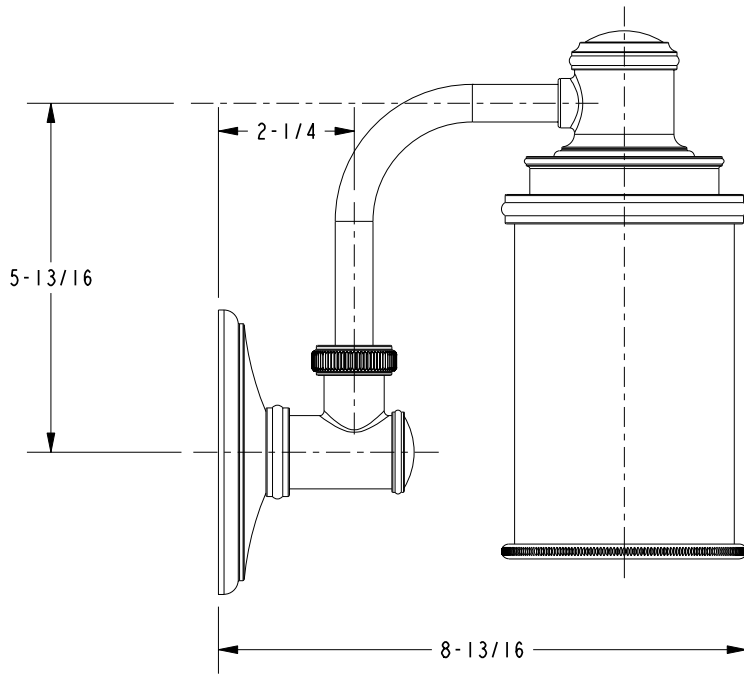
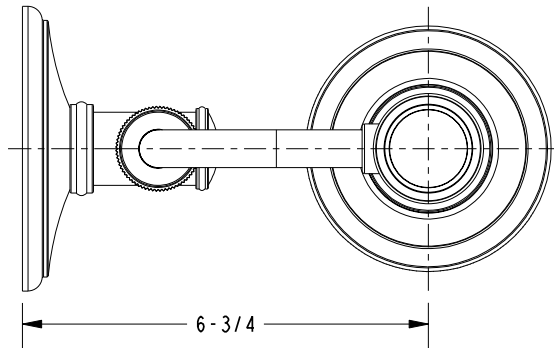
**BILL OF MATERIAL (CURRENT LEVEL)**

ITEM	PT/ASSY	DESCRIPTION	TYPE	QTY.
1	4581-BAW	SINGLE SCONCE BODY WIRED	ASSEMBLY	1
2	4581-G-E	4581-G-E	ASSEMBLY	1
3	CB-002	LIGHT MOUNTING PACK	ASSEMBLY	1
4	GU24-18W	GU24 COMPACT FLUORESCENT SPRIAL MAX. DIA. 2 3/8" MAX. LENGTH 4"	PART	1
5	98006	LABEL, UL LISTED	PART	1
6	98069	LABEL, PNXXX, FLUORESCENT FOR DAMP LOCATIONS	PART	1
7	98070	LABEL, MONTH YEAR E191501	PART	1
8	98012	LABEL, WALL MOUNT ONLY	PART	1
9	98072	LABEL, 18 WATT MAX SBCFL PERMITTED	PART	1
10	98065	LABEL, DO NOT USE SBCFL MARKED NOT FOR USE IN TOTALLY ENCLOSED LUMINAIRES	PART	1
11	98067	LABEL, USE SBCFL MARKED NOT FOR USE WHERE DIRECTLY EXPOSED TO WATER	PART	1
12	98081	LABEL, 120V / 60H / 18W	PART	1



4 3 2 1

SPECIFICATION DWG



DIMENSIONS ARE IN INCHES AND AN APPROXIMATION OF A TYPICAL INSTALLATION

COPYRIGHT 2005 BRASSTECH, INC. THESE DRAWINGS AND THE DESIGNS DEPICTED HEREIN ARE THE PROPRIETARY PROPERTY OF BRASSTECH. ANY USE OR REPRODUCTION IS SUBJECT TO THE EXPRESS APPROVAL OF BRASSTECH. UNAUTHORIZED USE IS STRICTLY PROHIBITED. ALL RIGHTS RESERVED.

<b>BRASSTECH</b>		2001 E. CARNEGIE AVE.	
INCORPORATED		SANTA ANA, CA 92705	
		(949) 417-5207	
DWG NO.	4581	REV	B
SCALE	.313	REF.	-
		SHEET	2 OF 2