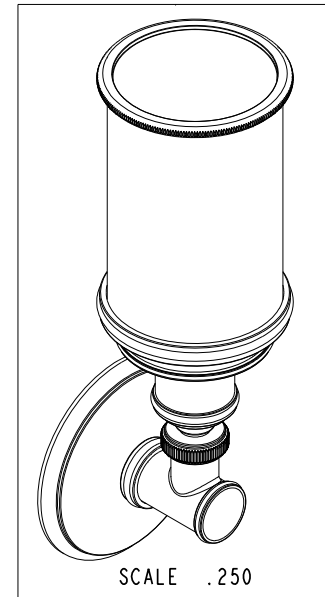


BILL OF MATERIAL (CURRENT LEVEL)

ITEM	PT/ASSY	DESCRIPTION	TYPE	QTY.
1	4581-1-BAW	SINGLE ADA HALL LIGHT BODY	ASSEMBLY	1
2	4581-G-E	4581-G-E	ASSEMBLY	1
3	CB-002	LIGHT MOUNTING PACK	ASSEMBLY	1
4	GU24-18W	GU24 COMPACT FLUORESCENT SPRIAL MAX. DIA. 2 3/8" MAX. LENGTH 4"	PART	1
5	98006	LABEL, UL LISTED	PART	1
6	98069	LABEL, PNXXX, SUITABLE FOR DAMP LOCATIONS	PART	1
7	98070	LABEL, MONTH YEAR E191501	PART	1
8	98012	LABEL, WALL MOUNT ONLY	PART	1
9	98081	LABEL, 120V / 60H / 18W	PART	1
10	98072	LABEL, 18 WATT MAX SBCFL PERMITTED	PART	1
11	98065	LABEL, DO NOT USE SBCFL MARKED NOT FOR USE IN TOTALLY ENCLOSED LUMINAIRES	PART	1
12	98067	LABEL, USE SBCFL MARKED NOT FOR USE WHERE DIRECTLY EXPOSED TO WATER	PART	1



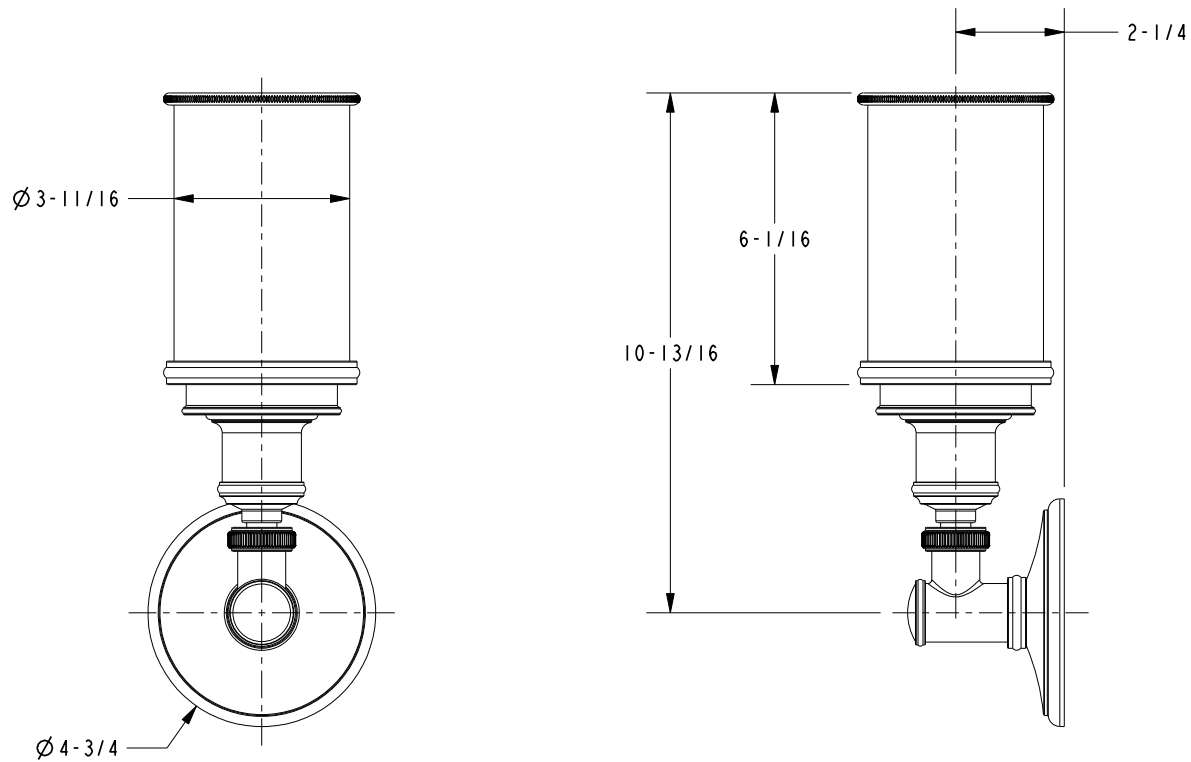
COPYRIGHT 2005 BRASSTECH, INC. THESE DRAWINGS AND THE DESIGNS DEPICTED HEREIN ARE THE PROPRIETARY PROPERTY OF BRASSTECH. ANY USE OR REPRODUCTION IS SUBJECT TO THE EXPRESS APPROVAL OF BRASSTECH. UNAUTHORIZED USE IS STRICTLY PROHIBITED. ALL RIGHTS RESERVED.

BRASSTECH
INCORPORATED
2001 E. CARNEGIE AVE.
SANTA ANA, CA 92705
(949) 417-5207

SINGLE HALL LIGHT

ASSY. NO.	4581-1		
B	EN-2592	08/29/13	
A	EN-1427	12/31/09	
SCALE	REF.	SHEET	DATE
.250	-	1 OF 2	

SPECIFICATION DWG



DIMENSIONS ARE IN INCHES AND AN APPROXIMATION OF A TYPICAL INSTALLATION

COPYRIGHT 2005 BRASSTECH, INC. THESE DRAWINGS AND THE DESIGNS DEPICTED HEREIN ARE THE PROPRIETARY PROPERTY OF BRASSTECH. ANY USE OR REPRODUCTION IS SUBJECT TO THE EXPRESS APPROVAL OF BRASSTECH. UNAUTHORIZED USE IS STRICTLY PROHIBITED. ALL RIGHTS RESERVED.

BRASSTECH		2001 CARNEGIE AVE.
INCORPORATED		SANTA ANA, CA 92705
		(949) 417-5207
DWG NO.	4581-1	REV B
SCALE .250	REF. -	SHEET 2 OF 2