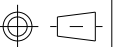
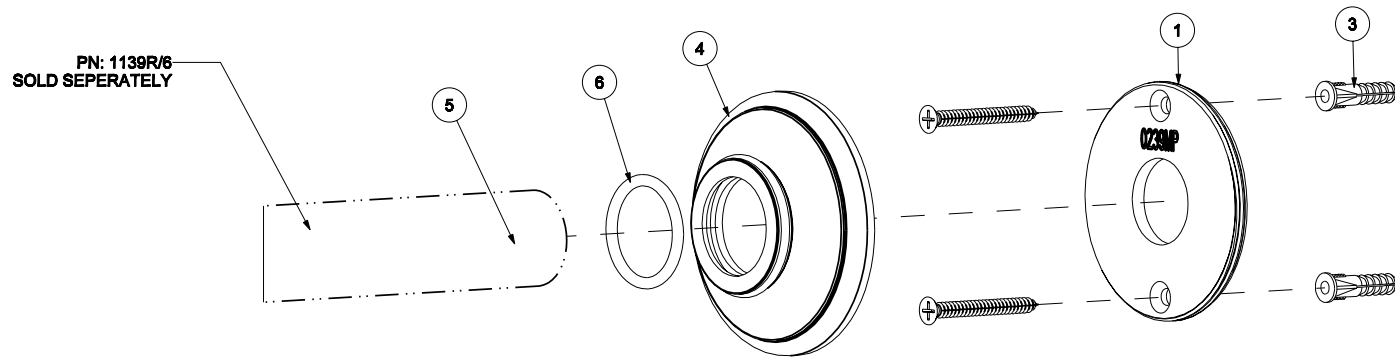


### BILL OF MATERIAL

ITEM	PT/ASSY	DESCRIPTION	QTY.	DWG.NO.
1	0239MP	MOUNTING PLATE	2	HTL-038
2	8_1_5PFZ	NO.8 x 1-1/2" PHILLIPS FLAT HEAD	4	-
3	GCA	NO. 8 -10 WALL ANCHOR PLASTIC	4	-
4	4500S	SHOWER ROD ROSETTE	2	4500S
5	1139R-6	1" BRASS TUBE, .032" WALL THICKNESS, 72" LONG	1	-
6	_120	DASH NO. 120 BUNA-N O-RING	2	-



FINISHES:AGD- ANTIQUE GOLD, AS- ANTIQUE SILVER, 10B- OIL RUBBED BRONZE,14- POLISHED NICKEL, 15- SATIN NICKEL, 26 POLISHED CHROME

MATERIAL: FORGING BRASS

PART NO. 4539B COLUMNAR SHOWER ROD GEN ARR'T & ROSETTE

DATE:1.05.07

REV.DATE

REV.A

SCALE 1:1

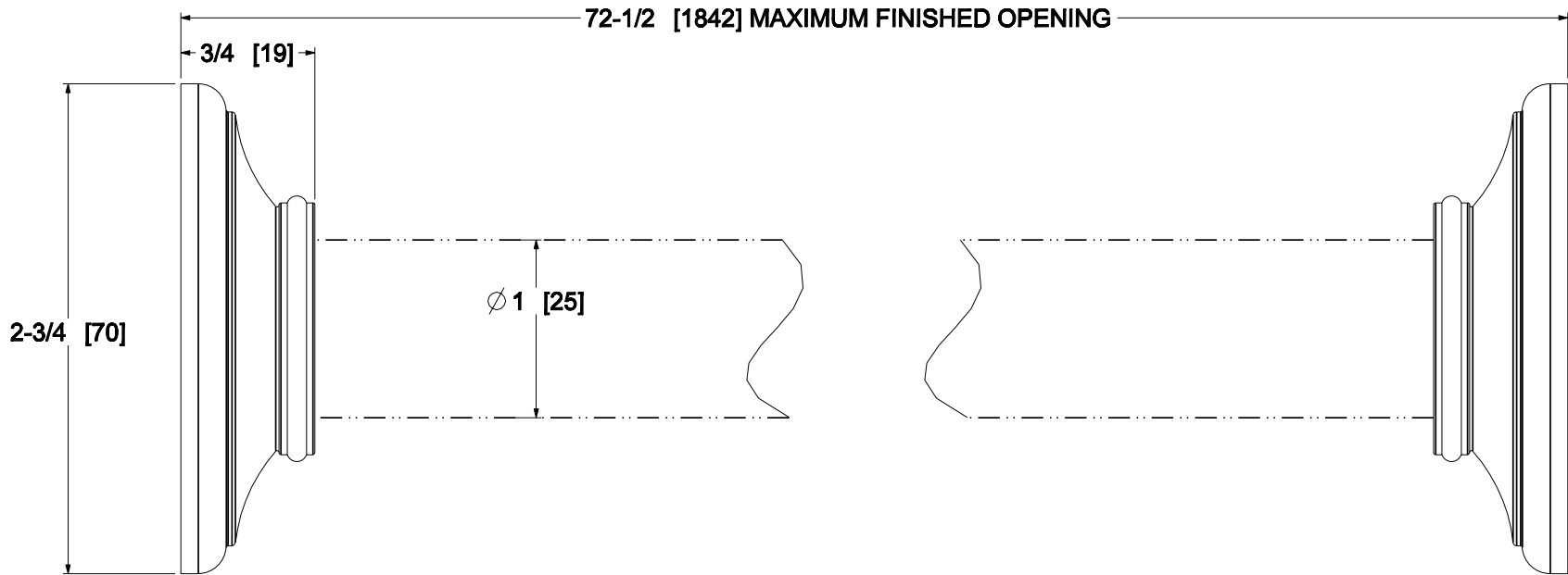
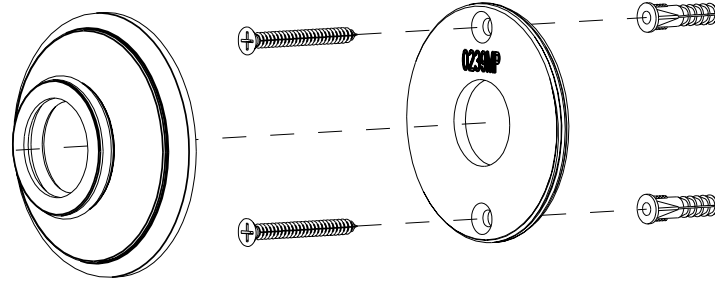
COLUMNAR

GINGER

DWG.NO.

4539B

PN: 1139R/6  
SOLD SEPERATELY



FINISHES: 00- ANTIQUE GOLD, 01- ANTIQUE SILVER, 02- OIL RUBBED BRONZE, 03- POLISHED NICKEL, 04- SATIN NICKEL, 05- POLISHED CHROME		UNIT: INCH [MM]
MATERIAL: BRASS AND STAINLESS STEEL MOUNTING HARDWARE		WEIGHT: 3 LBS. 1 OZ. [1.4KG]
PART NO.	4539B	<b>COLUMNAR SHOWER ROD GEN ARR'T</b>
DATE: 7.23.07	REV. DATE:	SCALE 1:1
		COLUMNAR

**GINGER**  
DWG. NO.  
PD-4539B

