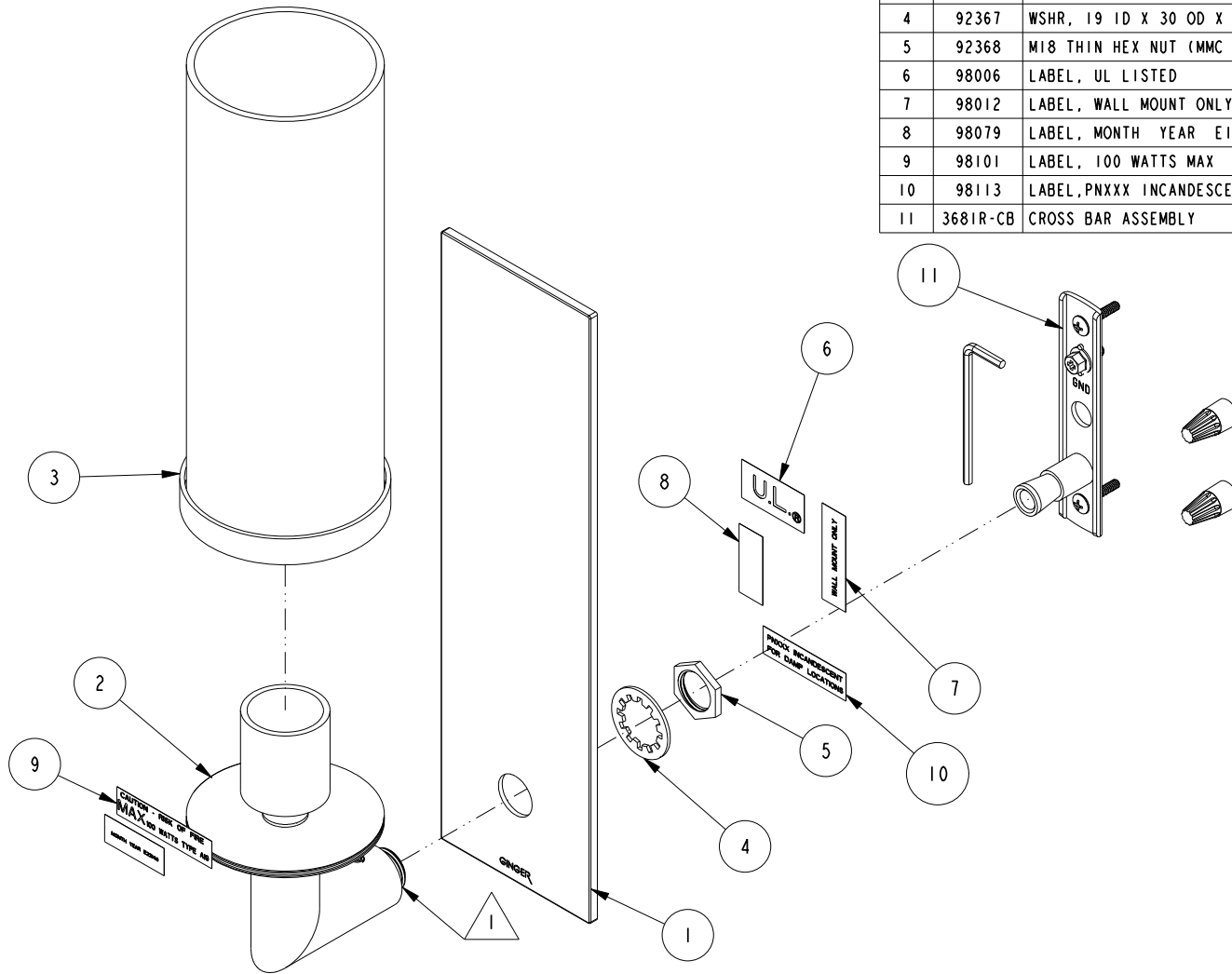


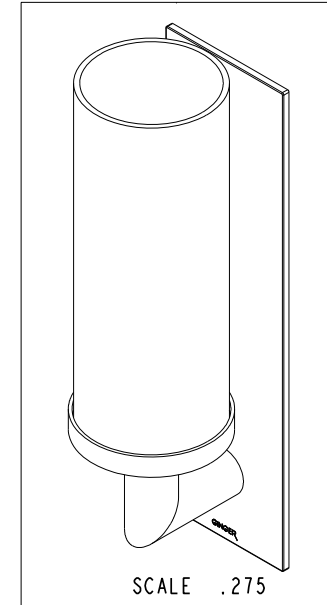


APPLY LOCTITE 680



BILL OF MATERIAL (CURRENT LEVEL)

ITEM	PT/ASSY	DESCRIPTION	TYPE	QTY.
1	2881-BP	SINGLE LIGHT BACK PLATE	PART	1
2	3681-BAW	BODY ASSEMBLY	ASSEMBLY	1
3	3681-G-O	SHADE ASSEMBLY	ASSEMBLY	1
4	92367	WSHR, 19 ID X 30 OD X 1.4MM THK, INT. TOOTH, LOCK , SS	PART	1
5	92368	M18 THIN HEX NUT (MMC # N/A)	PART	1
6	98006	LABEL, UL LISTED	PART	1
7	98012	LABEL, WALL MOUNT ONLY	PART	1
8	98079	LABEL, MONTH YEAR E163986	PART	2
9	98101	LABEL, 100 WATTS MAX	PART	1
10	98113	LABEL,PNXXX INCANDESCENT FOR DAMP LOCATIONS	PART	1
11	3681R-CB	CROSS BAR ASSEMBLY	ASSEMBLY	1



COPYRIGHT 2005 GINGER. THESE DRAWINGS AND THE DESIGNS DEPICTED HEREIN ARE THE PROPRIETARY PROPERTY OF GINGER. ANY USE OR REPRODUCTION IS SUBJECT TO THE EXPRESS APPROVAL OF GINGER. UNAUTHORIZED USE IS STRICTLY PROHIBITED. ALL RIGHTS RESERVED.

GINGER

2001 E. CARNEGIE AVE.
SANTA ANNA CA 92705
(949) 417-5207

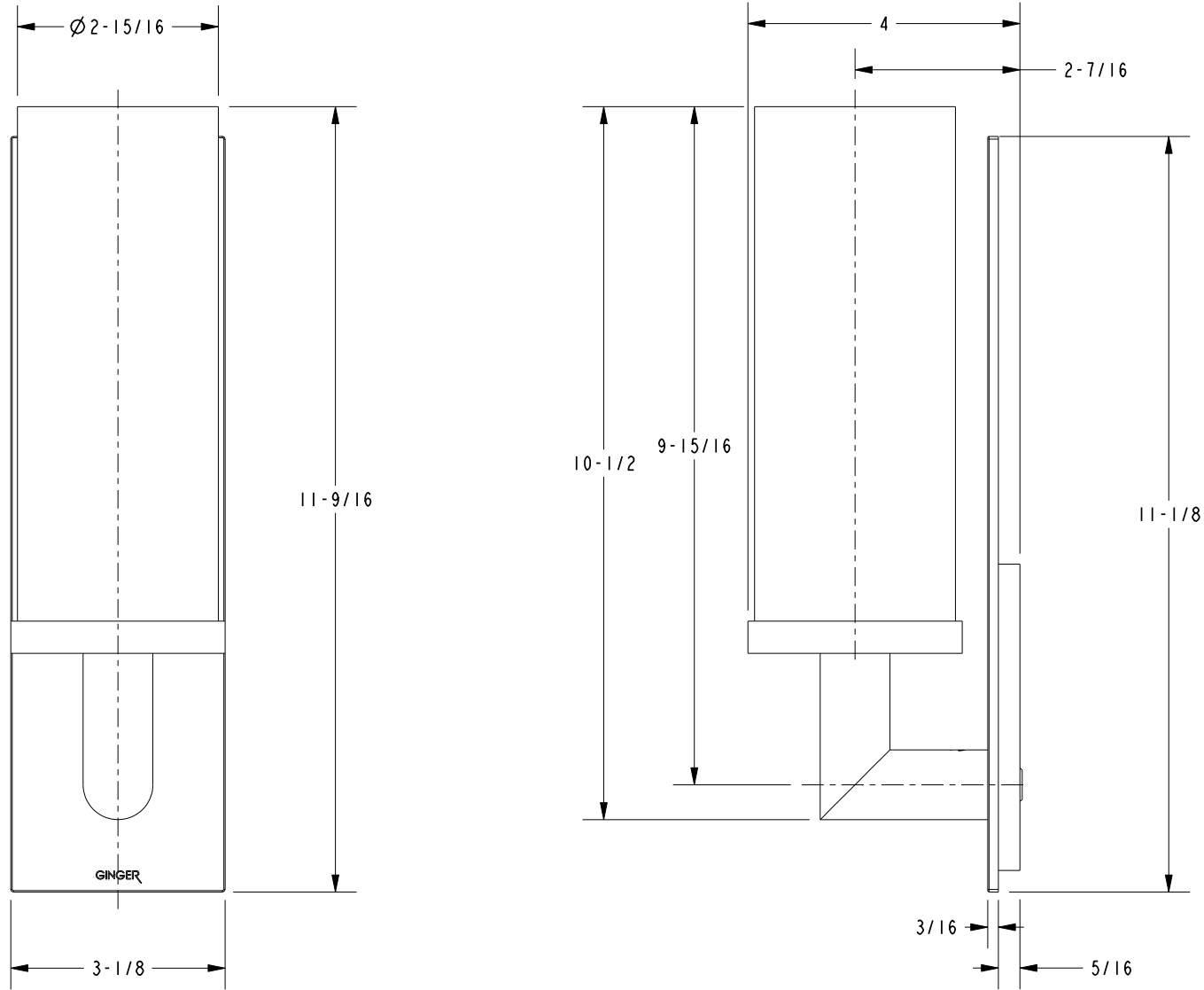
SINGLE LIGHTSHADE ASSEMBLY

ASSY. NO.
2881

SCALE .375 REF. - SHEET 1 OF 2

C	EN-2574	08/06/13
B	EN-2352	11/12/12
A	EN-1283	11/13/09
REV	REV DESC	DATE

SPECIFICATION DWG



DIMENSIONS ARE IN INCHES AND AN APPROXIMATION OF A TYPICAL INSTALLATION

COPYRIGHT 2005 GINGER. THESE DRAWINGS AND THE DESIGNS DEPICTED HEREIN ARE THE PROPRIETARY PROPERTY OF GINGER. ANY USE OR REPRODUCTION IS SUBJECT TO THE EXPRESS APPROVAL OF GINGER. UNAUTHORIZED USE IS STRICTLY PROHIBITED. ALL RIGHTS RESERVED.

GINGER		2001 CARNEGIE AVE. SANTA ANA CA 92705 (949) 417-5207	
DWG NO.	2881	REV	C
SCALE	.400	REF.	-
SHEET	2	OF	2