
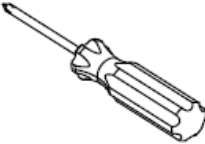

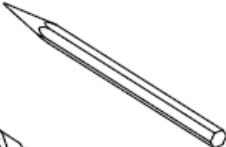

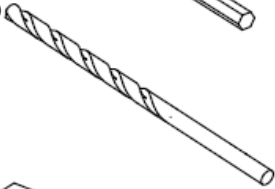

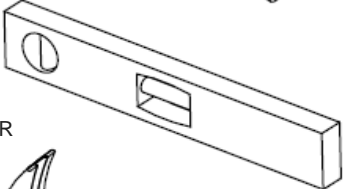

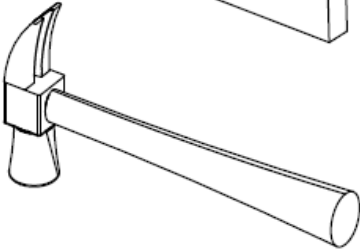

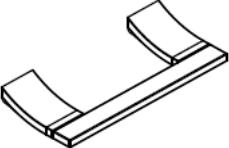


ITEMS INCLUDED		TOOLS REQUIRED	
DRY WALL ANCHOR	 X 4	PHILLIPS SCREW DRIVER	
TILE ANCHOR	 X 4	PEN / PENCIL	
#8 SCREW	 X 4	1/4" (6mm) DRILL	
MOUNTING BRACKET	 X 2	LEVEL SET	
1/4-28 SET SCREW	 X 2	HAMMER	
1/8" HEX KEY	 X 1		
DOUBLE POST TOILET TISSUE HOLDER	 X 1		

GNG-4708N  
 EN-1294  
 REV -

# CINU

## INSTALLATION INSTRUCTIONS

4708N

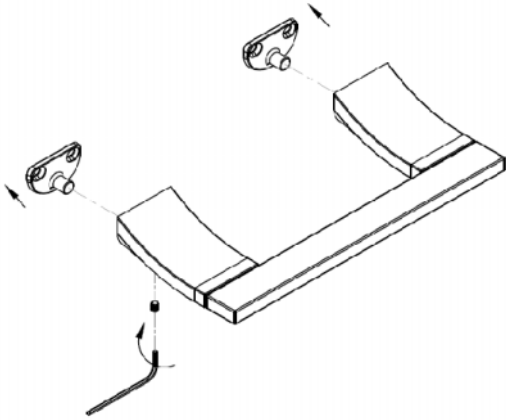
### DOUBLE POST TOILET TISSUE HOLDER

# GINGER

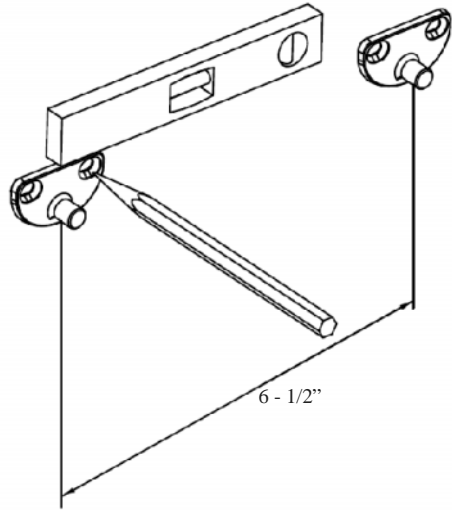
*Luxury For Your Lifestyle™*

2001 CARNEGIE AVE, SANTA ANA CA 92705  
 (949) 417-5207  
 WWW.GINGERCO.COM

① REMOVE MOUNTING BRACKETS



② ALIGN MOUNTING BRACKETS AND MARK LOCATION



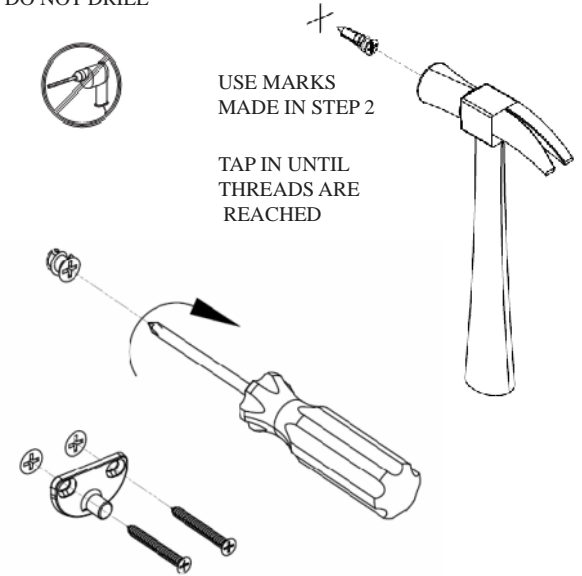
③ DRY WALL INSTALLATION

DO NOT DRILL



USE MARKS  
MADE IN STEP 2

TAP IN UNTIL  
THREADS ARE  
REACHED

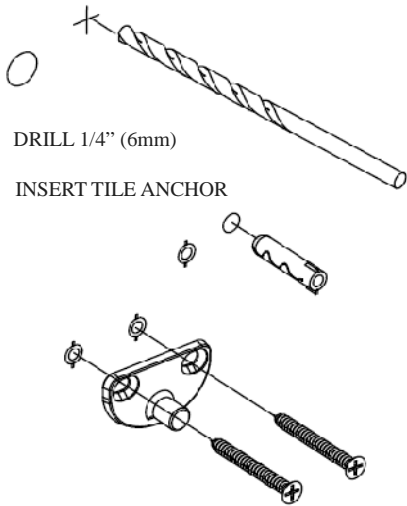


④ TILE OR SOLID WALL INSTALLATION

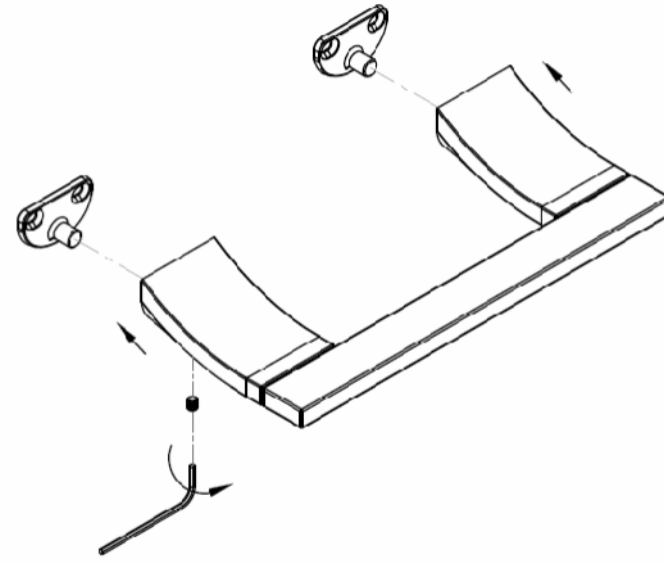
USE MARKS MADE IN STEP 2

DRILL 1/4" (6mm)

INSERT TILE ANCHOR



⑤ INSTALL PRODUCT ONTO BRACKETS



SECURE WITH SET SCREW