
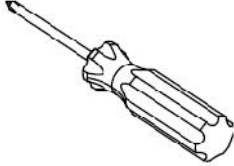




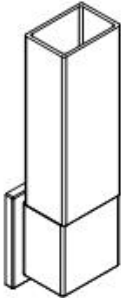


ITEMS INCLUDED		TOOLS REQUIRED
WIRE NUT	 X 2	
8-32 PAN HD SCREW	 X 4	
MOUNTING BRACKET	 X 1	
M6 X 1 SKT HD SET SCREW	 X 1	
3 MM HEX KEY	 X 1	
LIGHT	 X 1	

LINEAL

INSTALLATION INSTRUCTIONS

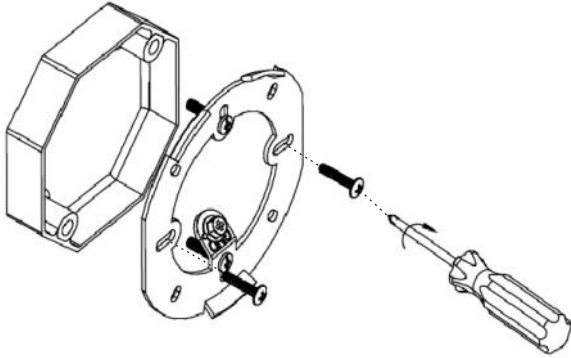
5281

SINGLE LIGHT

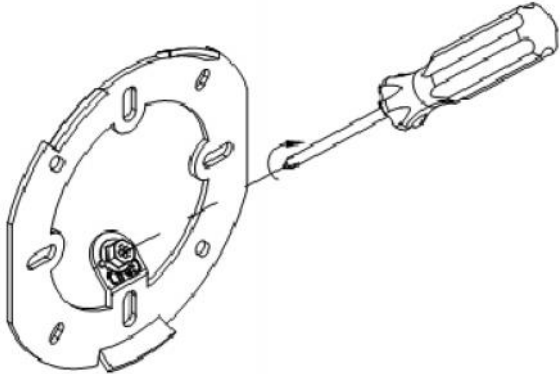
GINGER
Luxury For Your Lifestyle™

2001 E.CARNEGIE AVE, SANTA ANNA CA 92705
 (949) 417-5207
 WWW.GINGERCO.COM

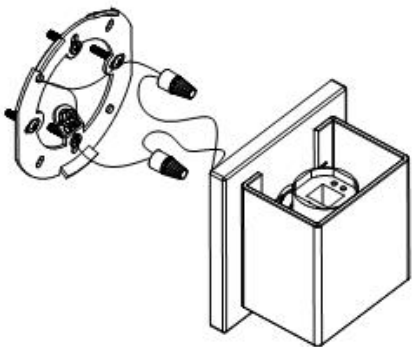
① MOUNT CROSSBAR TO ELECTRICAL BOX



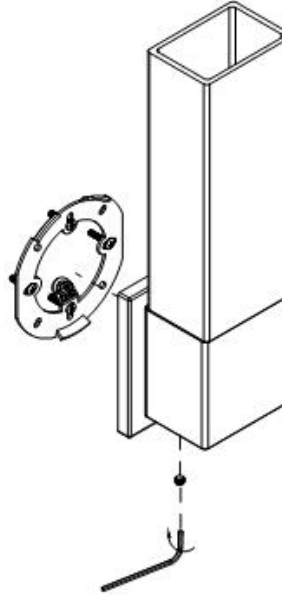
② CONNECT GROUND WIRE



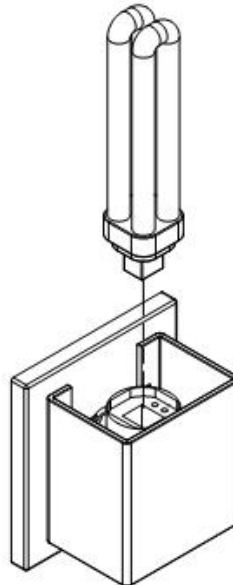
③ CONNECT WHITE WIRE TO WHITE WIRE WITH WIRE NUT. CONNECT BLACK WIRE TO BLACK WIRE WITH WIRE NUT.



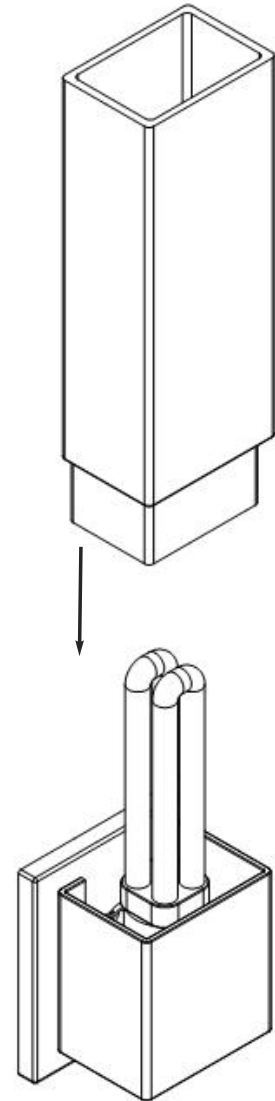
④ TIGHTEN SET SCREW



⑤ INSTALL BULB



⑥ ATTACH SHADE



CAUTION: DISCONNECT POWER
Always shut off power when installing or repairing this, or any other electrical appliance.
FAILURE TO DO SO MAY RESULT IN SEVERE INJURY OR DEATH
Installation by a licensed electrical contractor recommended.