
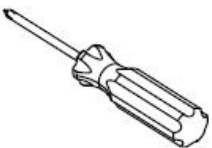



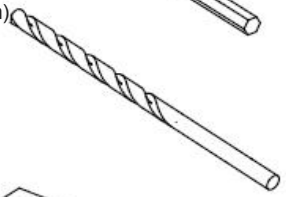

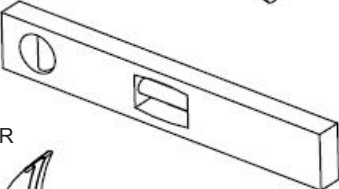

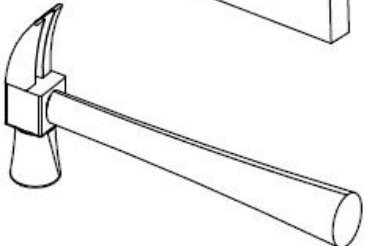

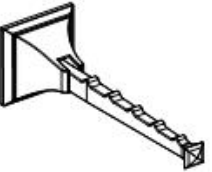


ITEMS INCLUDED		TOOLS REQUIRED	
DRY WALL ANCHOR	 X 2	PHILLIPS SCREW DRIVER	
TILE ANCHOR	 X 2	PEN / PENCIL	
#8 SCREW	 X 2	1/4" (6 mm) DRILL	
MOUNTING FLANGE	 X 1	LEVEL SET	
M6 X 1 SET SCREW	 X 1	HAMMER	
3MM ALLOY STEEL HEX KEY	 X 1		
VALET HOOK	 X 1		

INSTALLATION INSTRUCTIONS

4917

VALET HOOK

NEWPORT BRASS
 Flawless Beauty. From Faucet to Finish.™

2001 CARNEGIE AVE, SANTA ANA CA 92705

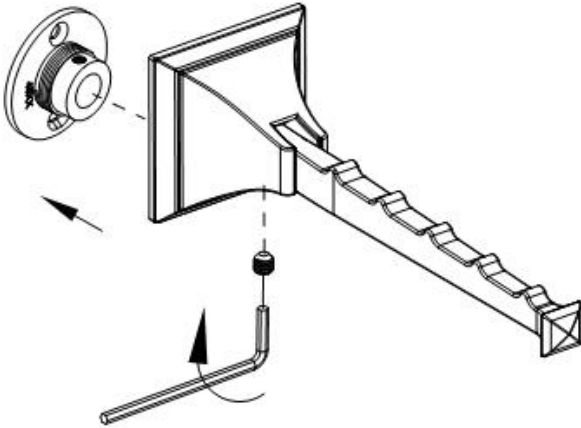
(949) 417-5207

(949) 417-5207

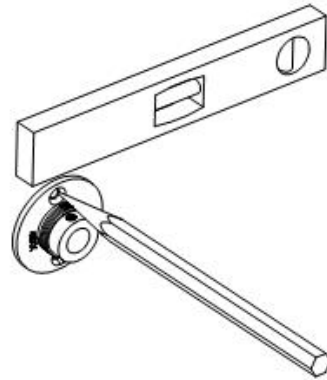
WWW.NEWPORTBRASS.COM

NEW-4917
EN-2880
REV A

① REMOVE MOUNTING BRACKET



② ALIGN MOUNTING FLANGE AND MOUNT LOCATION



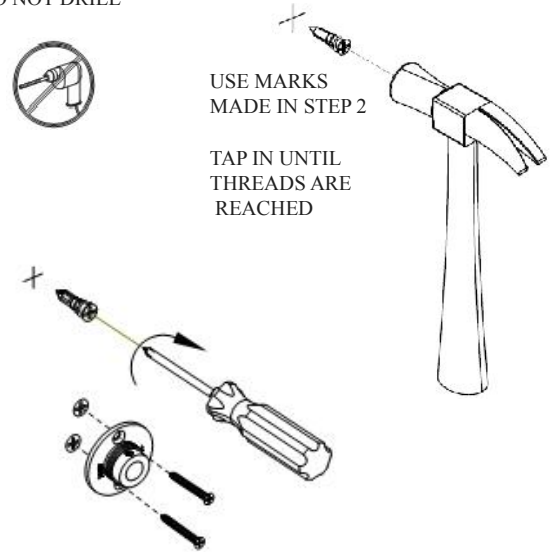
③ DRY WALL INSTALLATION

DO NOT DRILL



USE MARKS
MADE IN STEP 2

TAP IN UNTIL
THREADS ARE
REACHED



④ TILE OR SOLID WALL INSTALLATION

USE MARKS MADE IN STEP 2

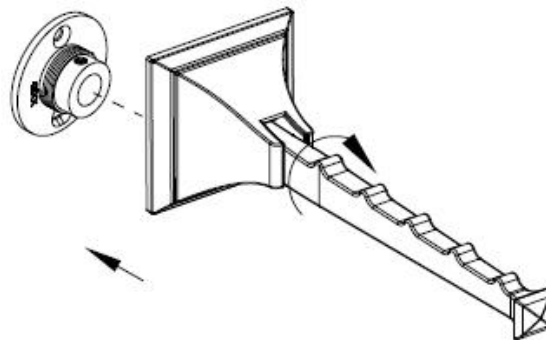


DRILL 1/4" (6mm)

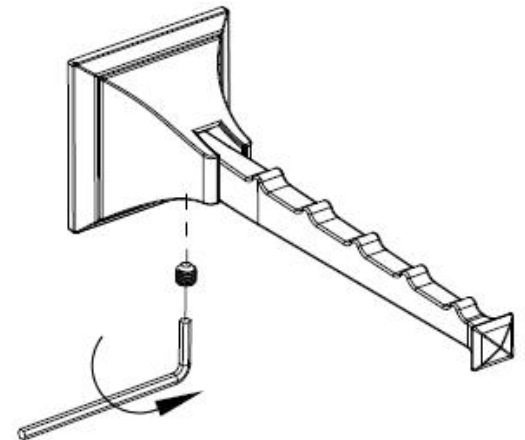
INSERT TILE ANCHOR



⑤ THREAD VALET HOOK ONTO WALL BRACKET



⑥ SECURE PRODUCT ONTO WALL BRACKET



SECURE WITH SET SCREW