
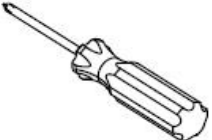



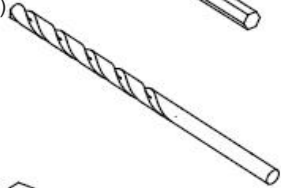

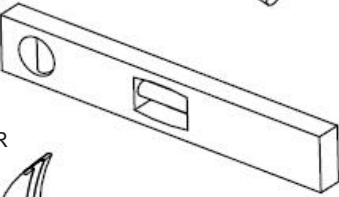

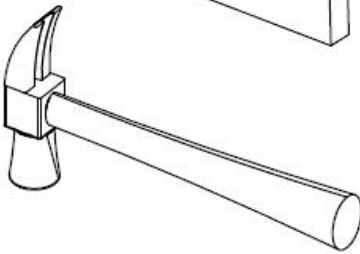




ITEMS INCLUDED		TOOLS REQUIRED	
DRY WALL ANCHOR	 X 2	PHILLIPS SCREW DRIVER	
TILE ANCHOR	 X 2	PEN / PENCIL	
#8 SCREW	 X 2	1/4" (6mm) DRILL	
MOUNTING BRACKET	 X 1	LEVEL SET	
M6 X 1 SET SCREW	 X 1	HAMMER	
3MM ALLOY STEEL HEX KEY	 X 1		
TOILET TISSUE HOLDER	 X 1		

EAVON

INSTALLATION INSTRUCTIONS

4809

SINGLE POST TOILET TISSUE HOLDER

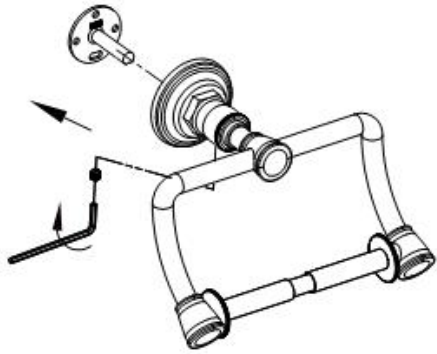
GINGER

Luxury For Your Lifestyle™

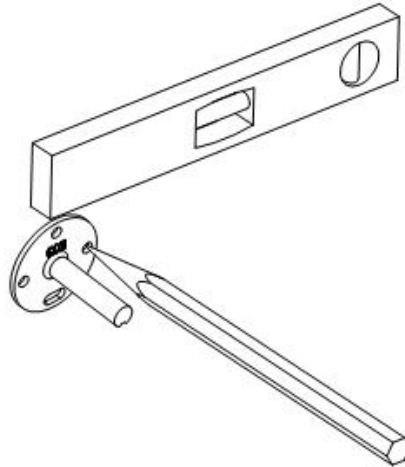
2001 CARNEGIE AVE, SANTA ANA CA 92705
(949) 417-5207
WWW.GINGERCO.COM

GNG-4809
EN-2086
REV -

① REMOVE MOUNTING BRACKET

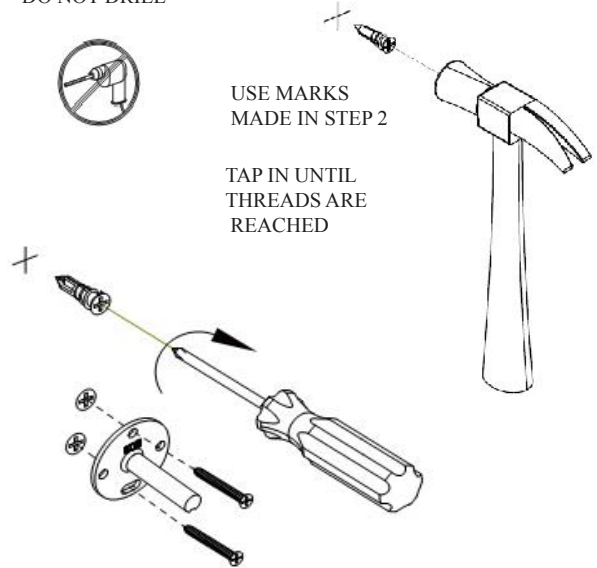


② ALIGN MOUNTING BRACKET AND MOUNT LOCATION



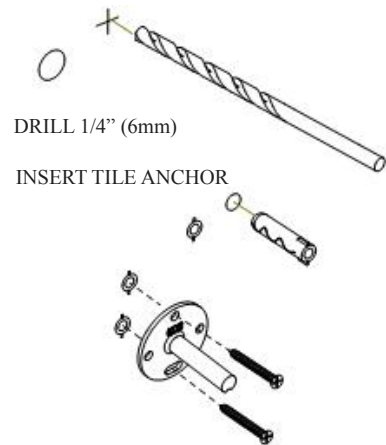
③ DRY WALL INSTALLATION

DO NOT DRILL



④ TILE OR SOLID WALL INSTALLATION

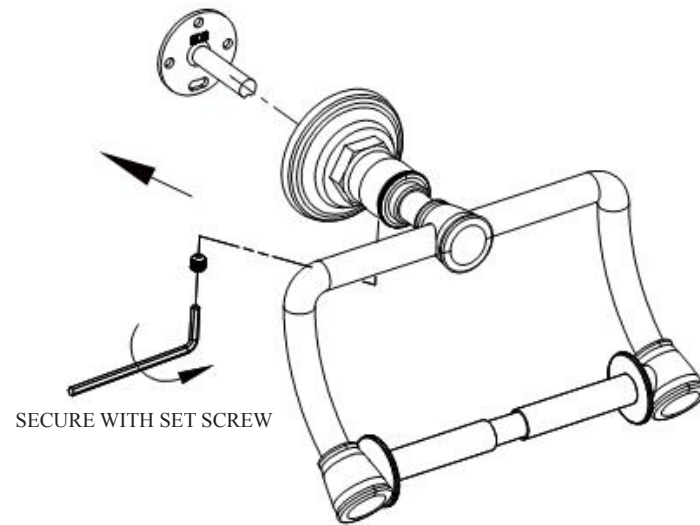
USE MARKS MADE IN STEP 2



DRILL 1/4" (6mm)

INSERT TILE ANCHOR

⑤ INSTALL PRODUCT ONTO BRACKET



SECURE WITH SET SCREW