

Maris

Usher in a new era.



Low divide, deep capacity

The double bowl allows you to multi-task with ease, while the low divide creates a larger single bowl perfect for cleaning oversized cookware and bakeware. Maris Granite sinks include deep capacity bowls, that can easily fit baking trays, pots and pans to be washed with maximum ease.

Integrated for balance

With our easy-to-use integrated ledge system, you'll accomplish more with your sink while making the most of your surrounding counter space. Designed to fit custom cutting boards, roller mats, and colanders to keep all your kitchen tasks within reach.



Elegance that endures

Scratch and stain resistant granite finishes are crafted to withstand nicks and bumps. Durable and beautiful, your sink will retain its elegance for years to come. Available in seven color hues to create a clean, sophisticated look.

FRANKE

MARIS

GRANITE 33" DOUBLE BOWL SINK Model MAG6601812LD

TECHNICAL FEATURES

Overall Sink Size (OD)	33" x 22"
Large Bowl Size (ID)	18 $\frac{1}{8}$ " x 16 $\frac{11}{16}$ "
Small Bowl Size (ID)	12 $\frac{5}{8}$ " x 16 $\frac{11}{16}$ "
Bowl Depth (ID)	9 $\frac{1}{2}$ "
Corner Radius	16mm
Minimum Cabinet Size	36"
Installation Type	Topmount
Weight	42.5 lbs.
Warranty	Limited Lifetime

AVAILABLE FINISHES

 Champagne MAG6601812LD-CHA 114.0687.008	 Onyx MAG6601812LD-ONY 114.0687.011
 Stone Grey MAG6601812LD-SHG 114.0687.014	 Oyster MAG6601812LD-OYS 114.0687.012
 Polar White MAG6601812LD-PWT 114.0687.013	 Matte Black MAG6601812LD-MBK 114.0687.009
 Mocha MAG6601812LD-MOC 114.0687.010	

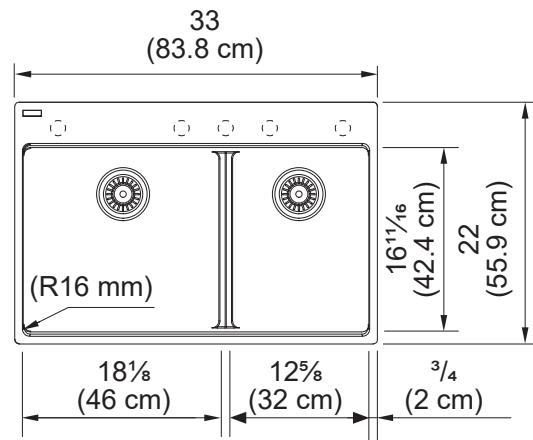
OPTIONAL ACCESSORIES

Bottom Grid MA-18-36S 112.0687.996	Bottom Grid MA-12-36S 112.0687.997	Roller Mat MA2-31RM 112.0256.867
Colander PX-70S 112.0066.060	Cutting Board MA2-40S 112.0688.102	Drain Cover RNDCLR 112.0532.169
Colorline Strainer 900-XXX (xxx represents color)	Colorline Flange WD-900-XXX (xxx represents color)	

Product Image



Dimensional Drawing



5 pre-scored holes for faucet and accessories

