

Bakersville Wall

88936 89936, 88937, 89937 1.0

GENERATION LIGHTING

WALL

CAUTION - RISK OF FIRE
This product must be installed in accordance with the applicable installation code by a person familiar with the construction and operation of the product and the hazards involved.
Use minimum 90°C supply conductors.

GENERAL PRODUCT INFORMATION:

These fixtures are intended to be installed utilizing NEC compliant junction boxes.

This product is safety listed for wet locations.

Incandescent version may be dimmed with a standard incandescent dimmer. LED version may be dimmed with a LED dimmer. Consult lamp manufacturer for additional information.

This instruction shows a typical installation.

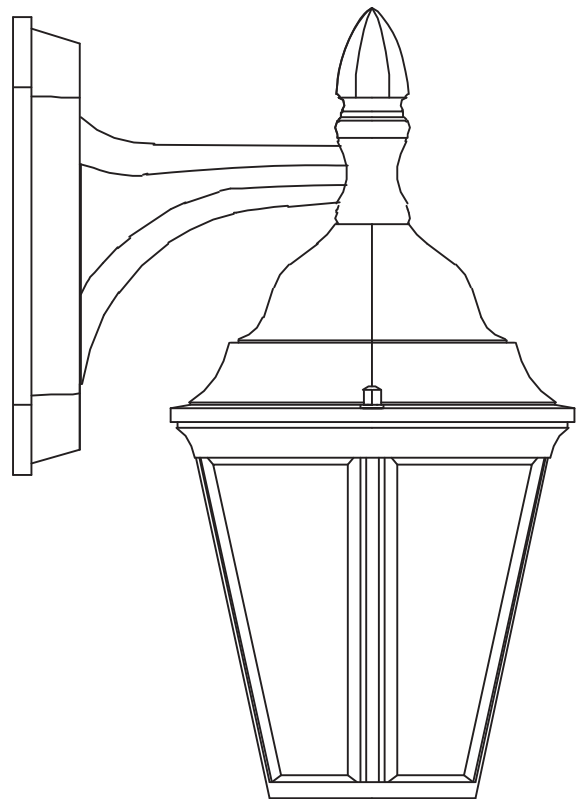
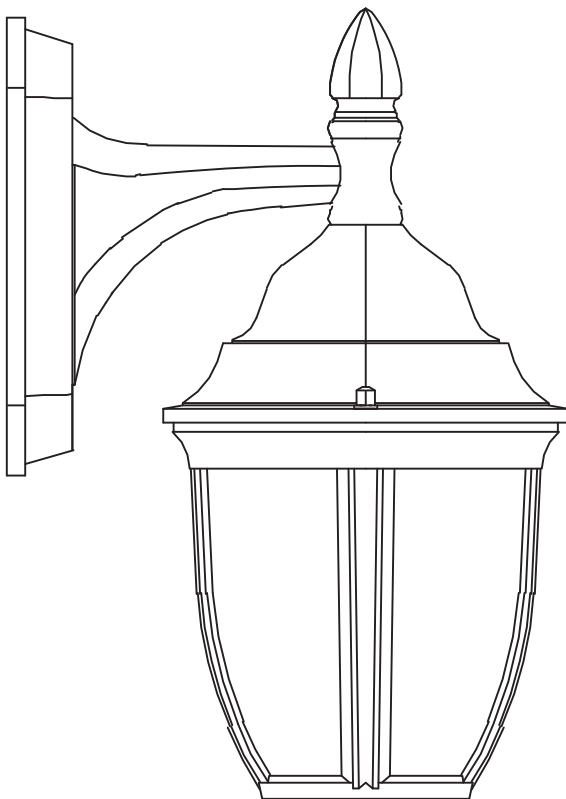
GENERATION LIGHTING

7400 Linder Ave, Skokie, IL 160077

800.969.3347

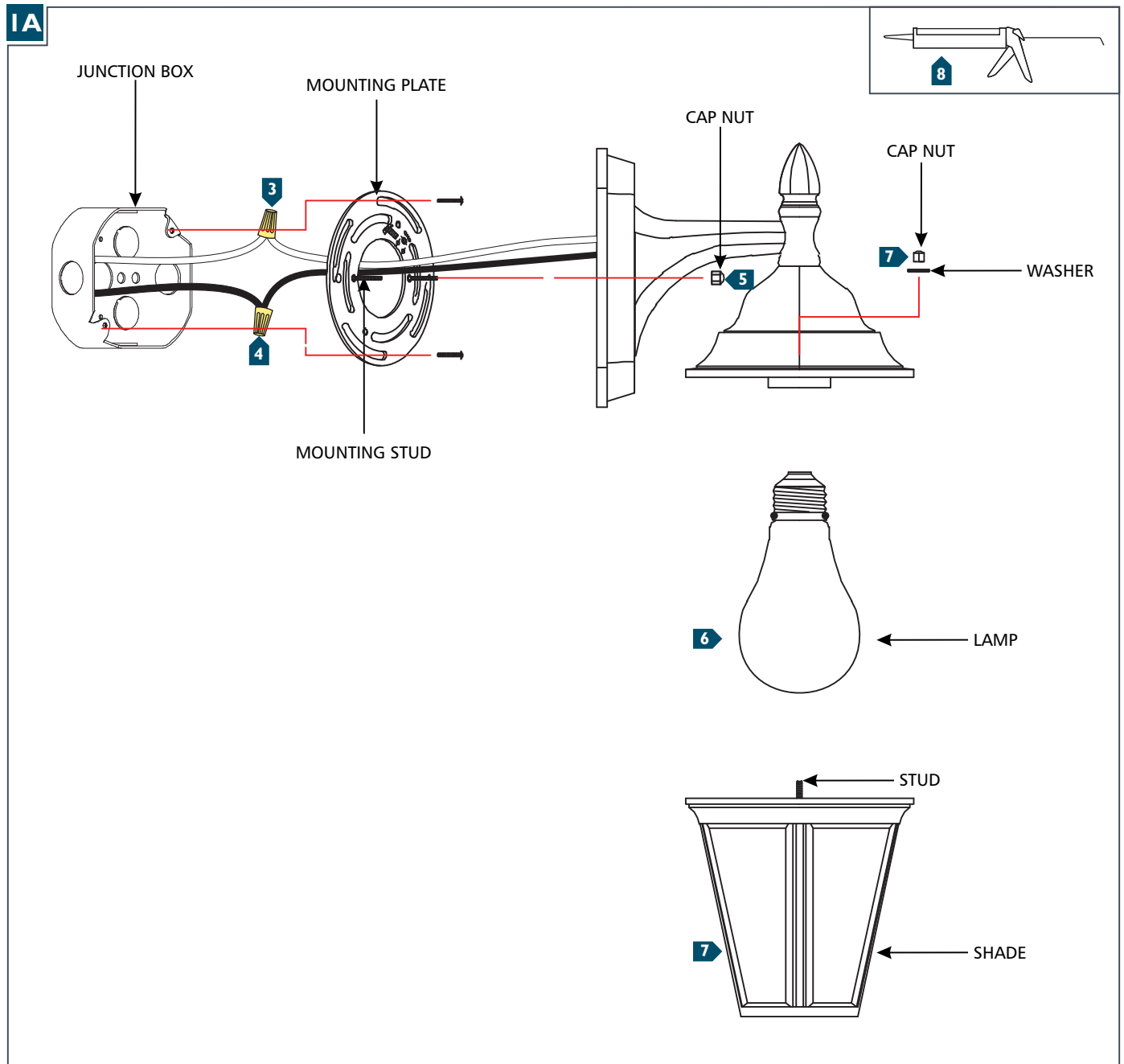
www.generationlighting.com

© 2020 Generation Lighting. All rights reserved.
The "Generation Lighting" graphic is a registered trademark of Generation Lighting. Generation Lighting reserves the right to change specifications for product improvements without notification.



SAVE THESE INSTRUCTIONS!

Install the Fixture



- 1** Secure the mounting plate to the junction box.
- 2** Connect the fixture to a suitable ground in accordance to local electrical codes.
- 3** Connect the white fixture wire (square and/or rigid) to the neutral power line wire with a wire nut.
- 4** Connect the black fixture wire (round and/or smooth) to the hot power line wire with a wire nut.
- 5** Neatly place all the wires into the junction box, place the fixture base onto the mounting studs, and secure it in place by screwing the cap nuts onto the studs.
- 6** Screw the lamp(s) into the socket(s). Refer to the label on the socket for Max Wattage Information.
- 7** Lift the shade up to the fixture and place a washer over the stud on each side, then secure with the cap nut.
- 8** For Wet Locations, caulk around the base of the fixture with waterproof construction sealant.