

Crestgrove Chandelier

3002003 | 1.0

GENERATION LIGHTING CHANDELIER

GENERAL PRODUCT INFORMATION:

These fixtures are intended to be installed utilizing NEC compliant junction boxes.

This product is safety listed for damp locations.

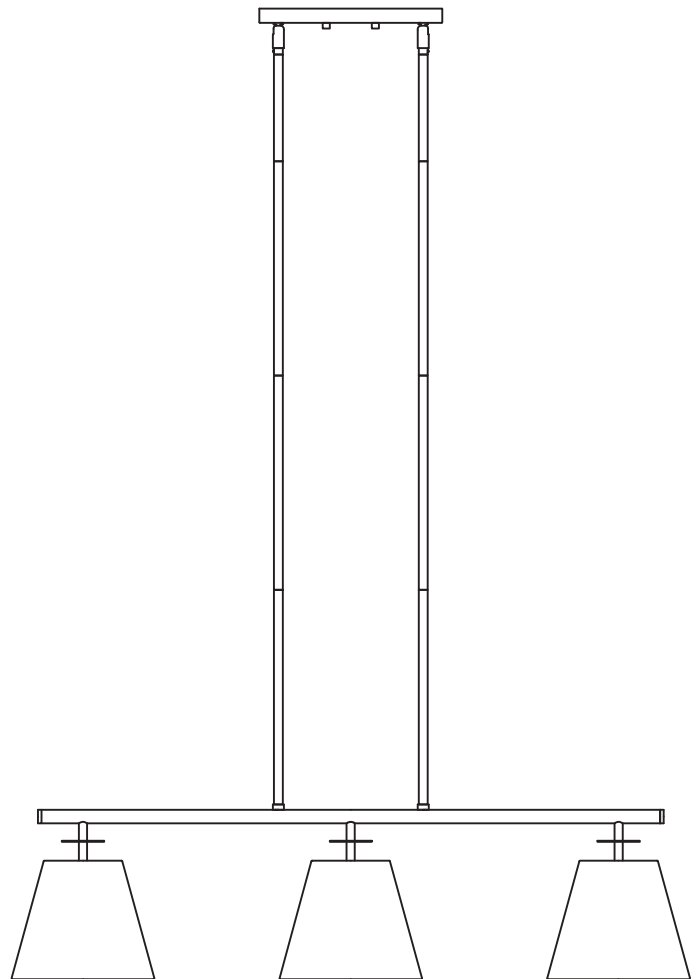
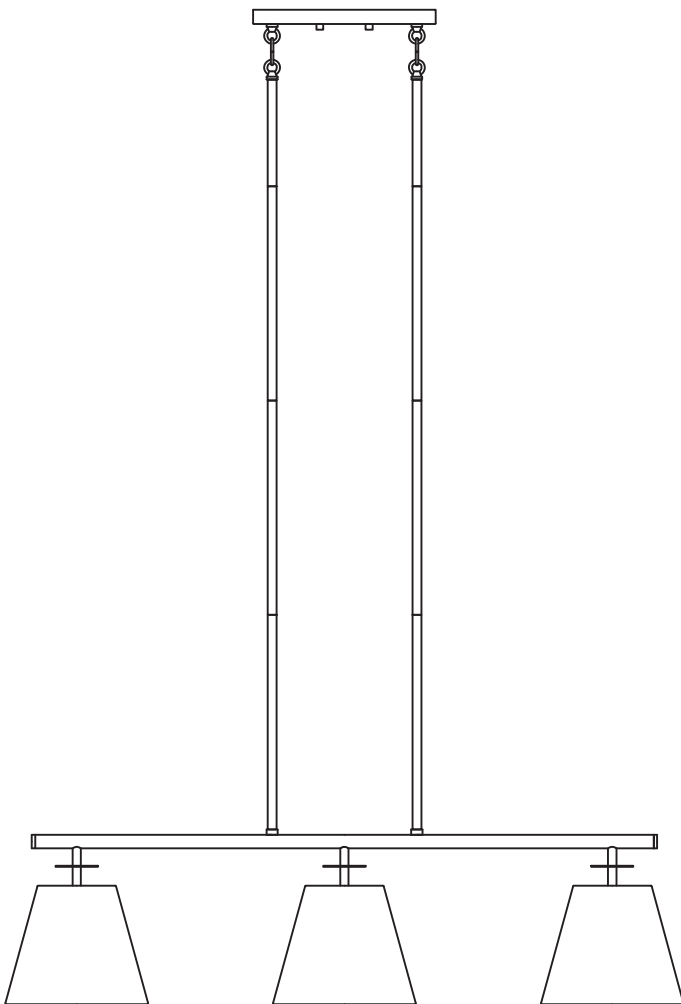
This instruction shows a typical installation.

CAUTION - RISK OF FIRE

This product must be installed in accordance with the applicable installation code by a person familiar with the construction and operation of the product and the hazards involved.

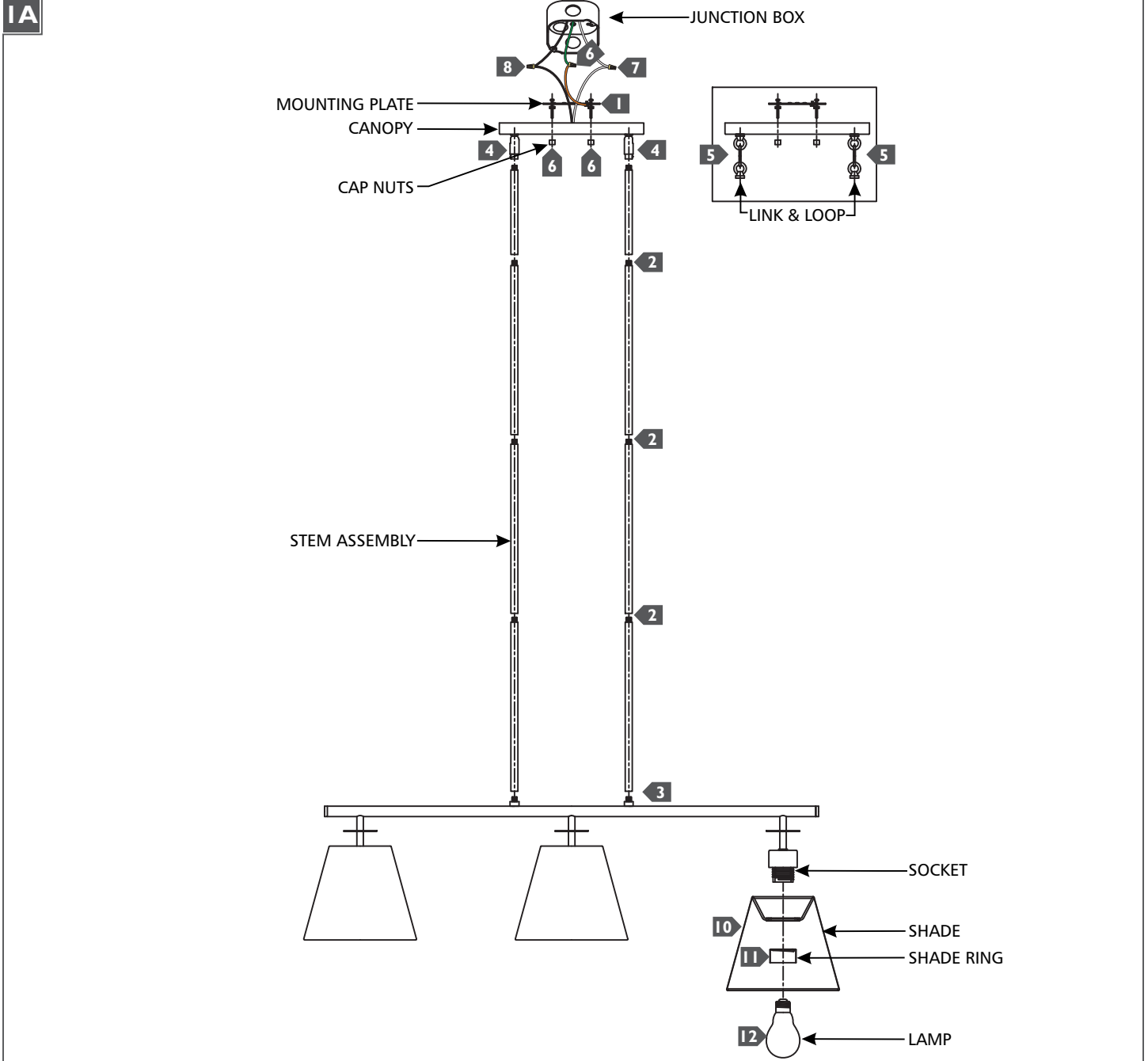
Use minimum 90°C supply conductors.

SAVE THESE INSTRUCTIONS!



GENERATION LIGHTING
7400 Linder Ave., Skokie, IL 60077
T 847.410.4400 | F 847.410.4500
www.generationlighting.com

Install the Fixture



- 1** Secure the mounting plate to the junction box.
- 2** Determine the wanted height or look of the fixture with the provided stems and assemble them by screwing them together.
- 3** Feed the fixture wires through the stem assembly and screw the stem assemblies onto the top of the fixture.
- 4** **For standard ceilings:** Unscrew the hex nuts and washers and remove the hang straights from the canopy. Feed the fixture wires through the hang straight and canopy, then screw the hang straight to the stems. Place the canopy onto the hang straight, then tighten the hex nuts and washers to secure in place.
- 5** **For sloped ceilings:** Unscrew the hex nuts and washers and remove the hang straights from the canopy. Feed the fixture wires through the link and loop, then the canopy. then screw the link and loop to the stems. Place the canopy onto the links and loops and tighten the hex nuts and washers to secure in place.
- 6** Connect the fixture to a suitable ground in accordance to local electrical codes.
- 7** Connect the white fixture wire (square and/or rigid) to the neutral power line wire with a wire nut.
- 8** Connect the black fixture wire (round and/or smooth) to the hot power line wire with a wire nut.
- 9** Neatly place all the wires into the junction box, place the canopy onto the mounting studs, and secure it in place by screwing the cap nuts onto the studs.
- 10** Install the shade by placing it over the socket.
- 11** Secure the shade in place by screwing the shade ring onto the socket. Repeat for remaining shades.
- 12** Screw the lamps into the sockets. Refer to the label on the socket for Max Wattage Information.