

**PRODUCT SPECIFICATIONS**

4" Centerset with Exposed Deck Lavatory Faucet Integral Spout  
Single Control 4" Wristblade Handle Chrome. Faucet has a flow rate  
of .5 GPM, and is made of Chrome-plated Brass material, with a  
Ceramic Disc valve. Faucet requires 2 faucet holes.

<b>Mounting Type:</b>	Deck Mount
<b>Special Features:</b>	Solid Brass Construction
<b>Finish:</b>	Chrome (CR)
<b>Handle Type:</b>	4" Wristblade Handle
<b>Deck Clearance:</b>	2"
<b>Spout Reach:</b>	4-3/4"
<b>Spout Height:</b>	5-1/8"
<b>Hole Drillings:</b>	2
<b>Material:</b>	Chrome-plated Brass
<b>Valve Type:</b>	Ceramic Disc
<b>Valve Connection:</b>	1/2"-14 NPSM
<b>Flow Rate:</b>	.5 GPM
<b>Faucet Hole Size (min):</b>	1-3/8"
<b>Faucet Hole Spread:</b>	4
<b>Spout Swing Rotation:</b>	0°
<b>Spout Type:</b>	Fixed Spout



Chrome  
(CR)



A Century of Tradition and Quality.  
For more than 100 years, Elkay has been making innovative  
products and providing exceptional customer care. We take pride in  
offering plumbing products that make life easier, inspire change and  
leave the world a better place.

**Product Compliance:** ADA & ICC A117.1  
ASME A112.18.1/CSA B125.1  
CEC  
NSF 372 (lead free)  
NSF 61 (Q≤1)

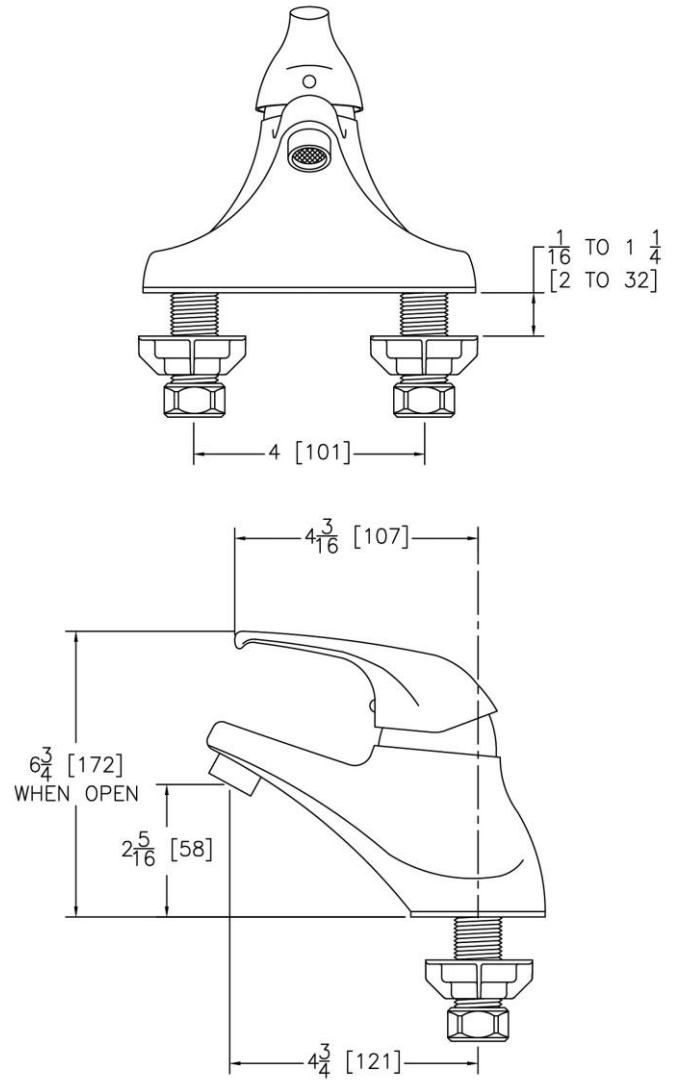


Complies with ADA & ICC A117.1 accessibility requirements  
when installed according to the requirements outlined in these  
standards.

[Clean and Care Manual \(PDF\)](#)  
[Installation Instructions \(PDF\) - A51769](#)  
[Warranty \(PDF\)](#)

PART: \_\_\_\_\_ QTY: \_\_\_\_\_  
PROJECT: \_\_\_\_\_  
CONTACT: \_\_\_\_\_  
DATE: \_\_\_\_\_  
NOTES: \_\_\_\_\_  
APPROVAL: \_\_\_\_\_

*In keeping with our policy of continuing product improvement, Elkay reserves the right to change product specifications without notice. Please visit [elkay.com](http://elkay.com) for the most current version of Elkay product specification sheets. This specification describes an Elkay product with design, quality, and functional benefits to the user. When making a comparison of other producers' offerings, be certain these features are not overlooked.*



*In keeping with our policy of continuing product improvement, Elkay reserves the right to change product specifications without notice. Please visit [elkay.com](http://elkay.com) for the most current version of Elkay product specification sheets. This specification describes an Elkay product with design, quality, and functional benefits to the user. When making a comparison of other producers' offerings, be certain these features are not overlooked.*