

**PRODUCT SPECIFICATIONS**

Elkay Lustertone™ Stainless Steel 37-1/4" x 17" x 4-1/2", Double Bowl Top Mount Classroom ADA Sink. Sink is manufactured from 18 gauge 304 Stainless Steel with a Lustertone finish, Center drain placement, and Bottom only pads.

|                              |                                     |
|------------------------------|-------------------------------------|
| <b>Installation Type:</b>    | Top Mount                           |
| <b>Material:</b>             | 304 Stainless Steel                 |
| <b>Special Features:</b>     | Quick-Clip Mounting System          |
| <b>Finish:</b>               | Lustertone                          |
| <b>Gauge:</b>                | 18                                  |
| <b>Sound Deadening:</b>      | Bottom only pads                    |
| <b>Number of Bowls:</b>      | 2                                   |
| <b>Sink Dimensions:</b>      | 37-1/4" x 17" x 4-1/2"              |
| <b>Bowl 1 Dimensions:</b>    | 9-1/4" x 12" x 3-1/2"               |
| <b>Bowl 2 Dimensions:</b>    | 16" x 11-1/2" x 4-3/8"              |
| <b>Drain Size:</b>           | 2" (51mm), 3-1/2" (89mm)            |
| <b>Drain Location:</b>       | Center                              |
| <b>Minimum Cabinet Size:</b> | 42"                                 |
| <b>Mounting Hardware:</b>    | Included for 3/4" (19mm) countertop |

**Cutout Dimensions for Top Mount Installation:**

36-5/8" x 16-3/8" (930mm x 416mm) with 1-1/2" (38mm) corner radius



AMERICAN PRIDE. A LIFETIME TRADITION.  
Like your family, the Elkay family has values and traditions that endure. For almost a century, Elkay has been a family-owned and operated company, providing thousands of jobs that support our families and communities.



**Product Compliance:** ADA & ICC A117.1  
ASME A112.19.3/CSA B45.4  
BUY AMERICAN ACT



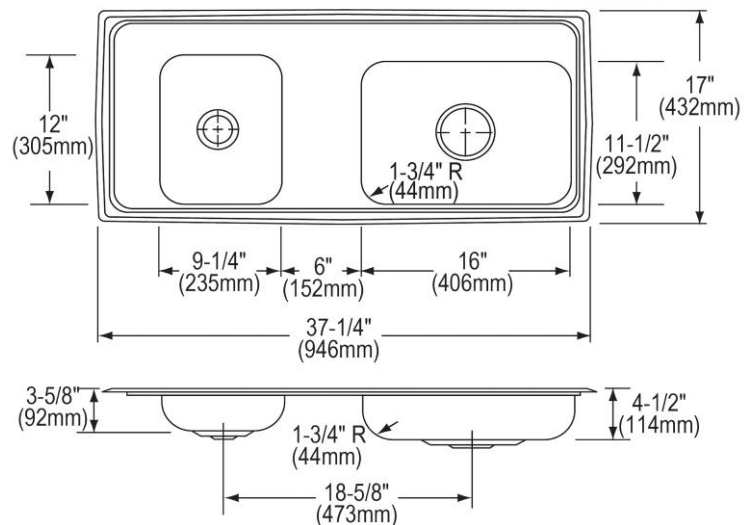
Sinks are listed by IAPMO® as meeting the applicable requirements of the Uniform Plumbing Code®, International Plumbing Code®, and National Plumbing Code of Canada.



Complies with ADA & ICC A117.1 accessibility requirements when installed according to the requirements outlined in these standards.

[Clean and Care Manual \(PDF\)](#)  
[Installation Instructions \(PDF\)](#)  
[Limited Lifetime Warranty \(PDF\)](#)

**Similar models are available with:** additional ADA depths, U Channel mounting system



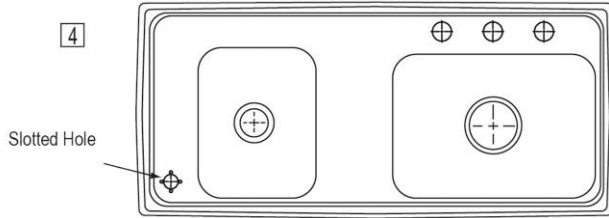
PART: \_\_\_\_\_ QTY: \_\_\_\_\_  
 PROJECT: \_\_\_\_\_  
 CONTACT: \_\_\_\_\_  
 DATE: \_\_\_\_\_  
 NOTES: \_\_\_\_\_  
 APPROVAL: \_\_\_\_\_

*In keeping with our policy of continuing product improvement, Elkay reserves the right to change product specifications without notice. Please visit [elkay.com](http://elkay.com) for the most current version of Elkay product specification sheets. This specification describes an Elkay product with design, quality, and functional benefits to the user. When making a comparison of other producers' offerings, be certain these features are not overlooked.*

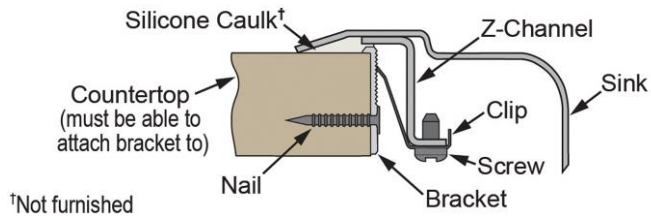
**Hole Drilling Configurations:**

1-1/2" (38mm) Diameter Faucet Holes on 4" (102mm) Centers

1-1/8" (29mm) Diameter Slotted Hole



**Installation Profile:**



**OPTIONAL ACCESSORIES**

|                  |         |
|------------------|---------|
| <b>Sinkmate:</b> | LKSMHSL |
|------------------|---------|

*In keeping with our policy of continuing product improvement, Elkay reserves the right to change product specifications without notice. Please visit [elkay.com](http://elkay.com) for the most current version of Elkay product specification sheets. This specification describes an Elkay product with design, quality, and functional benefits to the user. When making a comparison of other producers' offerings, be certain these features are not overlooked.*