

**PRODUCT SPECIFICATIONS**


Gourmet (Lustertone®) Stainless Steel Single Bowl Top Mount Sink. Overall dimensions are 17" x 16" x 4". Sink is manufactured from 18 gauge 304 Stainless Steel with a Lustrous Highlighted Satin finish, Center drain placement and Full spray sides and bottom.

|                              |  |
|------------------------------|--|
| <b>Installation Type:</b>    | Top Mount  |
| <b>Material:</b>             | 304 Stainless Steel  |
| <b>Finish:</b>               | Lustrous Highlighted Satin                                       |
| <b>Gauge:</b>                | 18   |
| <b>Sound Deadening:</b>      | Full spray sides and bottom                                      |
| <b>Number of Bowls:</b>      | 1  |
| <b>Sink Dimensions:</b>      | 17" x 16" x 4"   |
| <b>Bowl 1 Dimensions:</b>    | 14" x 10" x 3-7/8"   |
| <b>Drain Size:</b>           | 3-1/2" (89mm)  |
| <b>Drain Location:</b>       | Center   |
| <b>Minimum Cabinet Size:</b> | 21"  |
| <b>Mounting Hardware:</b>    | Part # 64090010 included for countertops up to 3/4" (19mm) thick |
| <b>Cutout Template #:</b>    | <a href="#">1000001269</a>                                       |

Template is available for download at [elkay.com](#)

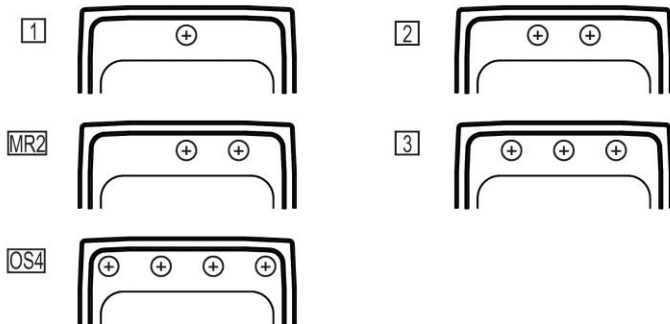
**Cutout Dimensions for Top Mount Installation:**

16-3/8" x 15-3/8" (416mm x 391mm) with 1-1/2" (38mm) corner radius

 This sink is compliant to ADA and ANSI/ICC A117.1 accessibility requirements when installed according to the requirements outlined in these standards.


**Hole Drilling Configurations:**

1-1/2" (38mm) Diameter Faucet Holes on 4" (102mm) Centers



AMERICAN PRIDE. A LIFETIME TRADITION. Like your family, the Elkay family has values and traditions that endure. For almost a century, Elkay has been a family-owned and operated company, providing thousands of jobs that support our families and communities.

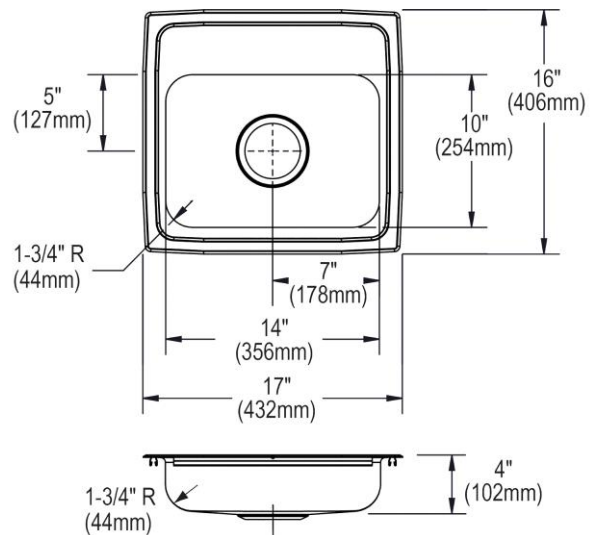


 Sinks are listed by IAPMO® as meeting the applicable requirements of the Uniform Plumbing Code®, International Plumbing Code®, and National Plumbing Code of Canada.

**Product Compliance:** ADA  
BUY AMERICAN ACT  
ASME A112.19.3/CSA B45.4

[Clean and Care Manual \(PDF\)](#)  
[Installation Instructions \(PDF\)](#)  
[Limited Lifetime Warranty \(PDF\)](#)

**Similar models are available with:** Quick-Clip Mounting System, additional ADA depths



PART: \_\_\_\_\_ QTY: \_\_\_\_\_  
 PROJECT: \_\_\_\_\_  
 CONTACT: \_\_\_\_\_  
 DATE: \_\_\_\_\_  
 NOTES: \_\_\_\_\_  
 APPROVAL: \_\_\_\_\_

In keeping with our policy of continuing product improvement, Elkay reserves the right to change product specifications without notice. Please visit [elkay.com](#) for the most current version of Elkay product specification sheets. This specification describes an Elkay product with design, quality, and functional benefits to the user. When making a comparison of other producers' offerings, be certain these features are not overlooked.

**Installation Profile:**



**OPTIONAL ACCESSORIES**

|                        |  |
|------------------------|--|
| <b>Drain:</b>          | LK99, LKAD35                             |
| <b>Faucet:</b>         | LKGT1041, LKGT2041                       |
| <b>Hardware:</b>       | LK364, LK463                             |
| <b>Rinsing Basket:</b> | LKWRB1209SS                              |
| <b>Sinkmate:</b>       | LKSM17, LKSMHOOK,<br>LKSMSPONGE, LKSMHSL |
| <b>Soap Dispenser:</b> | LKGT1054                                 |

*In keeping with our policy of continuing product improvement, Elkay reserves the right to change product specifications without notice. Please visit [elkay.com](http://elkay.com) for the most current version of Elkay product specification sheets. This specification describes an Elkay product with design, quality, and functional benefits to the user. When making a comparison of other producers' offerings, be certain these features are not overlooked.*