

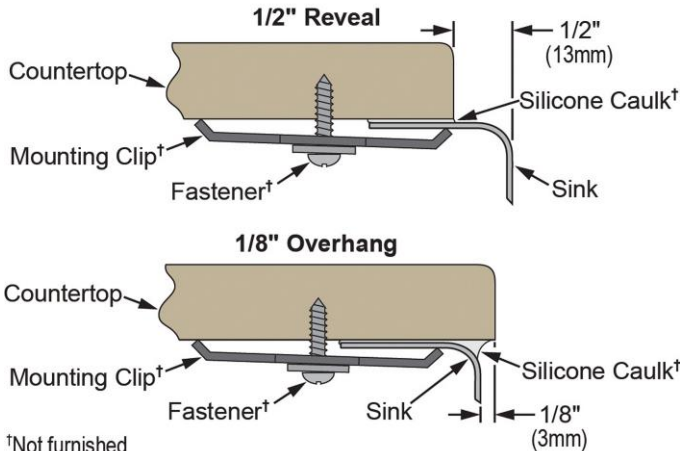
**PRODUCT SPECIFICATIONS**

Gourmet (Lustertone®) Stainless Steel Double Bowl Undermount Sink Kit. Overall dimensions are 30-3/4" x 18-1/2" x 10". Sink is manufactured from 18 gauge 304 Stainless Steel with a Lustrous Highlighted Satin finish, Rear Center drain placement and SoundGuard®.

<b>Installation Type:</b>	Undermount
<b>Material:</b>	304 Stainless Steel
<b>Finish:</b>	Lustrous Highlighted Satin
<b>Gauge:</b>	18
<b>Sound Deadening:</b>	SoundGuard®
<b>Number of Bowls:</b>	2
<b>Sink Dimensions:</b>	30-3/4" x 18-1/2" x 10"
<b>Bowl 1 Dimensions:</b>	13-1/2" x 16" x 10"
<b>Bowl 2 Dimensions:</b>	13-1/2" x 16" x 10"
<b>Drain Size:</b>	3-1/2" (89mm)
<b>Drain Location:</b>	Rear Center
<b>Minimum Cabinet Size:</b>	36"
<b>Mounting Hardware:</b>	Undermount brackets sold separately
<b>Template Included:</b>	Yes
<b>Cutout Template #:</b>	<a href="#">100001312</a>

Template is available for download at [elkay.com](http://elkay.com)

**Installation Profile:**



†Not furnished

Designed to affix to the underside of any solid surface countertop.



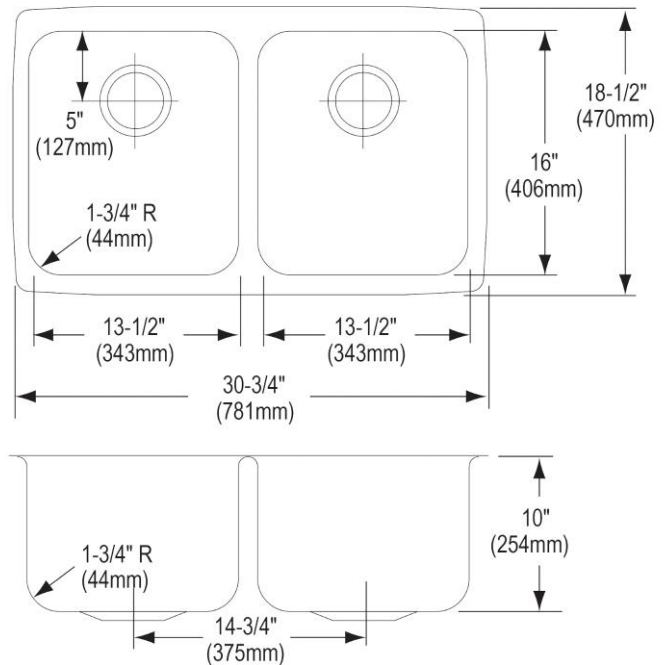
**Included with Product:** ELUH311810 sink,  
one LKWOBG1316SS bottom grid,  
one LK99 drain

AMERICAN PRIDE. A LIFETIME TRADITION.  
Like your family, the Elkay family has values and traditions that endure. For almost a century, Elkay has been a family-owned and operated company, providing thousands of jobs that support our families and communities.



**Product Compliance:** ASME A112.19.3/CSA B45.4  
Accessory: ASME A112.18.2/CSA B125.2

[Clean and Care Manual \(PDF\)](#)  
[Installation Instructions \(PDF\) - 74180187](#)  
[Installation Instructions \(PDF\) - 74210010\\_Drain](#)  
[Limited Lifetime Warranty \(PDF\)](#)



PART: \_\_\_\_\_ QTY: \_\_\_\_\_

PROJECT: \_\_\_\_\_

CONTACT: \_\_\_\_\_

DATE: \_\_\_\_\_

NOTES: \_\_\_\_\_

APPROVAL: \_\_\_\_\_

In keeping with our policy of continuing product improvement, Elkay reserves the right to change product specifications without notice. Please visit [elkay.com](http://elkay.com) for the most current version of Elkay product specification sheets. This specification describes an Elkay product with design, quality, and functional benefits to the user. When making a comparison of other producers' offerings, be certain these features are not overlooked.

**OPTIONAL ACCESSORIES**

<b>Cutting Board:</b>	CB1613*, CB1713*, CBR1316*, CBS1316*
<b>Faucet:</b>	LKGT1041, LKGT2041
<b>Hardware:</b>	LKUCLIP8 (2 Required)
<b>Rinsing Basket:</b>	LKWRB1316SS, LKWERBSS
<b>Sinkmate:</b>	LKSM17, LKSMHOOK, LKSMSPONGE, LKSMHSL
<b>Soap Dispenser:</b>	LKGT1054
* 1/2" sink reveal required for proper fit.	

*In keeping with our policy of continuing product improvement, Elkay reserves the right to change product specifications without notice. Please visit [elkay.com](http://elkay.com) for the most current version of Elkay product specification sheets. This specification describes an Elkay product with design, quality, and functional benefits to the user. When making a comparison of other producers' offerings, be certain these features are not overlooked.*