

**Service Sink, Floor Model
Models EFS2523C and EFS3321C**



SPECIFICATIONS

GENERAL

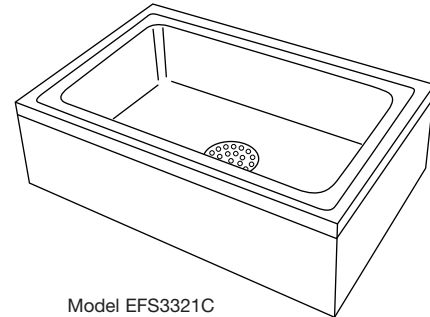
#16 gauge, type 304 (18-8), stainless steel floor model service sink with 1-3/4" (44mm) radius vertical and horizontal covered corners. Apron on three sides. Top has 5/32" (4mm) raised rim. Exposed surfaces are polished to a lustrous satin finish. Underside is fully undercoated to prevent condensation and dampen sound. Furnished with wall hanger and LK43 drain with strainer.

(CHECK MODEL SPECIFIED)

- EFS2523C
- EFS3321C

FURNISHED COMPLETE WITH:

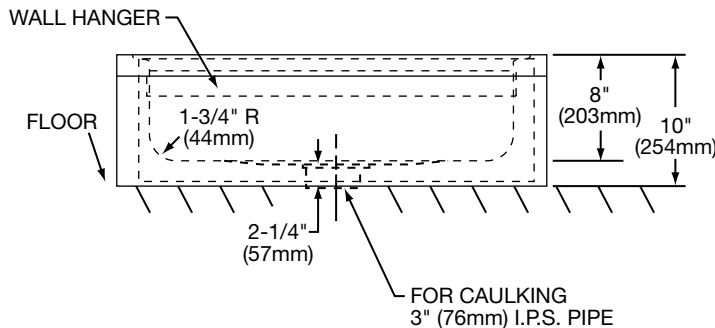
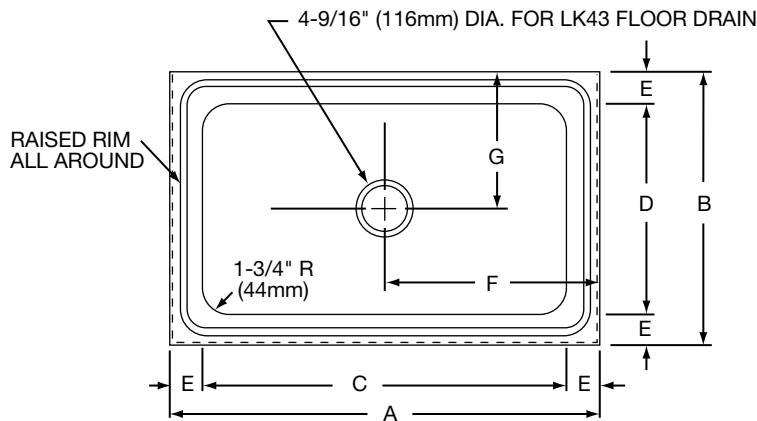
DRAIN: LK43. Chrome plated brass body drain outlet fitting. Field adjustable stainless steel flat grid strainer or dome strainer. Designed to attach to 3" (76mm) I.P.S. pipe utilizing sealant by others.



Model EFS3321C

DIMENSIONS

Model Number	A		B		C		D		E		F		G	
	in.	mm	in.	mm	in.	mm	in.	mm	in.	mm	in.	mm	in.	mm
EFS2523C	25	635	23	584	20	508	18	457	2 1/2	64	12 1/2	318	11 1/2	292
EFS3321C	33	838	21	533	28	711	16	406	2 1/2	64	16 1/2	419	10 1/2	267



In keeping with our policy of continuing product improvement, Elkay reserves the right to change product specifications without notice.

This specification describes an Elkay product with design, quality and functional benefits to the user. When making a comparison of other producers' offerings, be certain these features are not overlooked.