

ELKAY[®]

SPECIFICATIONS

Harmony[®] Undermount Triple Bowl Sink Model ELUH3920

GENERAL

Highest quality sink formed of #18 (1.2mm) gauge, type 304 (18-8) nickel bearing stainless steel. Undermount.

DESIGN FEATURES

Bowl Depth: 10" (254mm) (Left Bowl), 5-9/16" (141mm) (Center), 7-1/2" (191mm) (Right Bowl).

Finish: Exposed surfaces are hand blended to a lustrous highlighted satin finish.


Underside: Fully protected by heavy duty Sound Guard™ undercoating to reduce condensation and dampen sound.

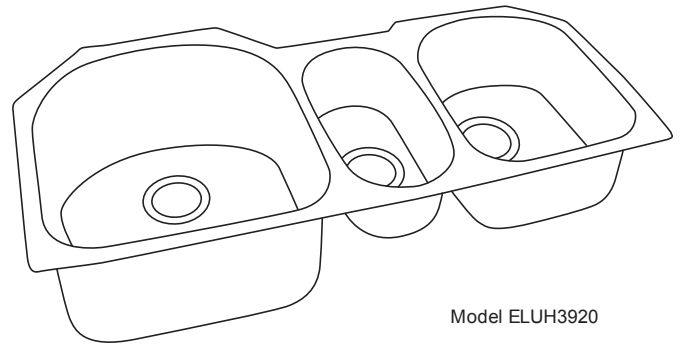
OTHER

Drain Openings: 3-1/2" (89mm).

Note: All Elkay undermount sinks are designed to affix easily to the underside of any solid surface countertop.

Sink complies with ASME A112.19.3-2008 / CSA B45.4-08

 These sinks are listed by the International Association of Plumbing and Mechanical Officials as meeting the requirements of the Uniform Plumbing Code and the National Plumbing Code of Canada.



Model ELUH3920



OPTIONAL ACCESSORIES

Bottom Grids: LKWOBG1617SS (left bowl), LKWOBG1115SS (right bowl)

Colander: SC1407 (center bowl)

Cutting Board: CB1713 (left bowl)

Drains: LK99

Mounting Clip: LKUCLIP8 (3 packages required)

Rinsing Baskets: LKWRB1115SS (right bowl), LKWRB1617SS, LKWERBSS (left bowl)
LKWRB715SS (center bowl)

Utensil Caddy for Rinsing Basket: LKWUCSS

SINK PACKAGE

MODEL	SINK	BOTTOM GRID	QTY	BOTTOM GRID	QTY	DRAIN	QTY
ELUH3920DBG	ELUH3920	LKWOBG1115SS	1	LKWOBG1617SS	1	LK99	2

SINK DIMENSIONS*

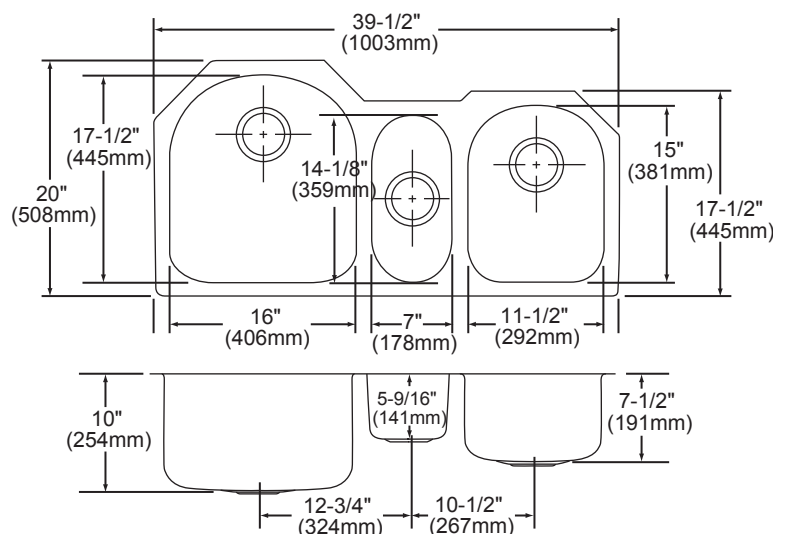
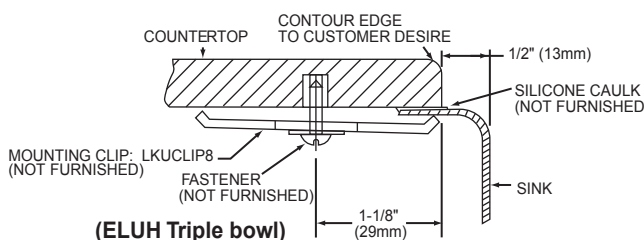
Model Number	Overall		Inside Left Bowl			Inside Center Bowl			Inside Right Bowl			Cutout in Countertop	Minimum Cabinet Size
	L	W	L	W	D	L	W	D	L	W	D		
ELUH3920	39 1/2" (1003mm)	20" (508mm)	16" (406mm)	17 1/2" (445mm)	10" (254mm)	7" (178mm)	14 1/8" (359mm)	5 9/16" (141mm)	11 1/2" (292mm)	15" (381mm)	7 1/2" (191mm)	See Template**	45" (1143mm)

*Length is left to right. Width is front to back.

**Template is packed with every sink.

Installation Profile of ELUH Triple Bowl Models

The template provided with each ELUH sink provides the only type of installation recommended by Elkay.



In keeping with our policy of continuing product improvement, Elkay reserves the right to change product specifications without notice. Please visit elkayusa.com for most current version of Elkay product specification sheets.

This specification describes an Elkay product with design, quality, and functional benefits to the user. When making a comparison of others producers offerings, be certain these features are not overlooked.

Elkay

elkayusa.com

2222 Camden Court
Oak Brook, IL 60523

Printed in U.S.A.
©2010 Elkay

(Rev. 08/10) 1-157D