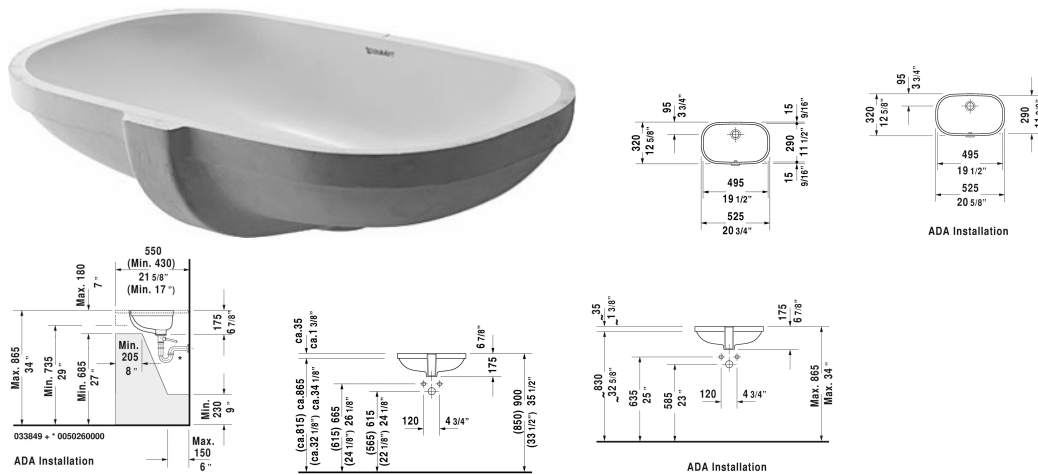


D-Code Vanity basin ☞ # 0338490000

| < 19 1/2" Inch > |



| Vanity basin   | Dimension              | Weight | Order number |
|--|------------------------|--------|--------------|
| undermount basin, with overflow, without faucet deck, hardware included, cUPC® listed*, 19 1/2" Inch                               |                        |        |              |
| <b>Colors</b>  |                        |        |              |
| 00 White   |                        |        |              |
| <b>Variant</b>   |                        |        |              |
| ☒  | 19 1/2" x 11 3/8" Inch | 22 lb  | 0338490000   |
| <b>Infobox</b>   |                        |        |              |
| * Complies with following standards: ASME A112.19.2/CSA B45.1, Measurements of undercounter models represent interior measurements |                        |        |              |
| Hardware for stone countertops, (with the exception of # 046651)   |                        | 0.4 lb | 005028       |

All drawings contain the necessary measurements which are subject to standard tolerances. They are stated in inch & mm and are non-binding. Exact measurements, in particular for customized installation scenarios, can only be taken from the finished ceramic piece.