



see what Delta can do<sup>SM</sup>

# TUB AND SHOWER FAUCET TRIM

- Dryden™ Bath Collection
- Valve Only (T17051 Series)
- Shower Only (T17251 & T17251-WE Series)
- Tub/Shower (T17451 & T17451-WE Series)

## FEATURES:

- Monitor® 17 Series pressure balanced bath mixing valve trim
- “-H2O” models include H<sub>2</sub>Okinetic® Technology showerhead

## STANDARD SPECIFICATIONS:

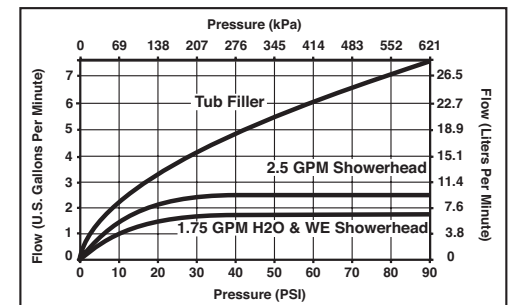
- Maintains a balanced pressure of hot and cold water even when a valve is turned on or off elsewhere in the system.
- For use with MultiChoice® Universal rough valve body. (R10000 Series)
- Back-to-back installation capability.
- Solid brass forged body.
- Lever volume control handle; temperature adjustment dial.
- Field adjustable to limit handle rotation into hot water zone.
- Maximum dial rotation adjustable between 90° and 180°.
- All parts replaceable from the front of the valve.
- 2.5 gpm @ 80 psi for standard models and 1.75 gpm @ 80 psi for models with -H2O & -WE suffix.
- Stem extension kit RP77992 can be ordered to allow for an additional 1 3/4" wall thickness. RP77992 ships with chrome escutcheon screws. For special finishes also order RP12630 escutcheon screws in desired finish.

## WARRANTY

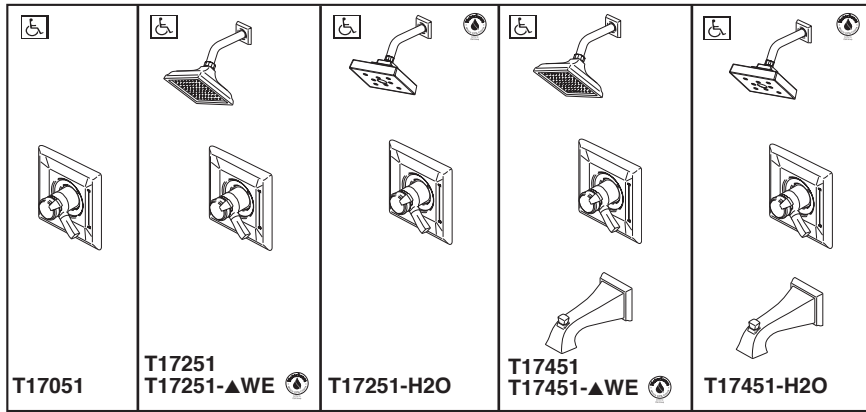
- Lifetime limited warranty on parts (other than electronic parts and batteries) and finishes; or, for commercial users, for 5 years from date of purchase.
  - 5 year limited warranty on electronic parts (other than batteries); or, for commercial users, for 1 year from the date of purchase.
- No warranty is provided on batteries.

## COMPLIES WITH:

- ASME A112.18.1 / CSA B125.1
- ASSE 1016
- Indicates compliance to ICC/ANSI A117.1 - Valve control only
- EPA WaterSense® (H<sub>2</sub>O & WE models only)

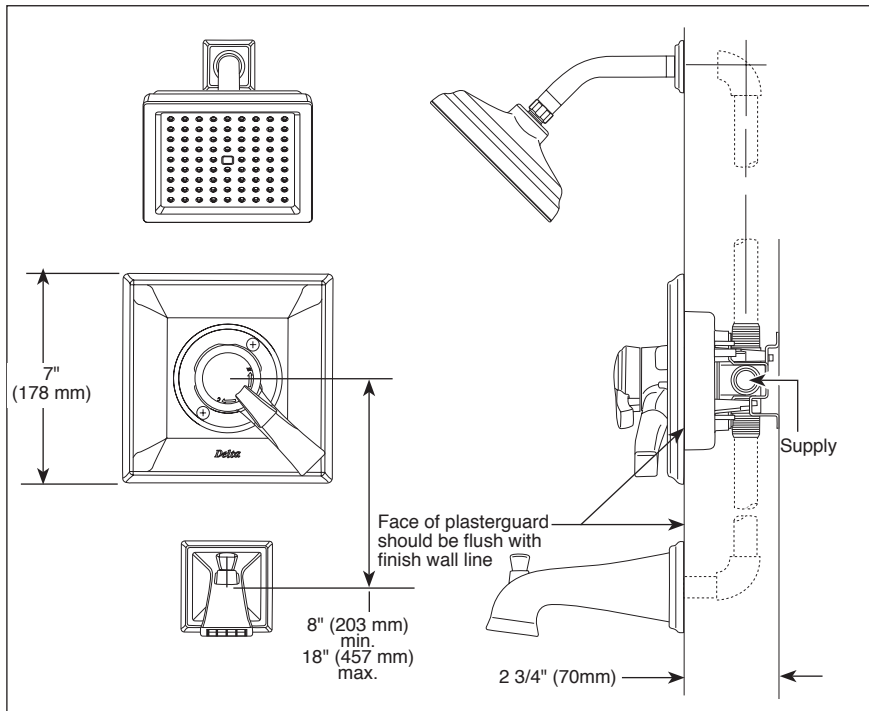


**Delta Faucet Company**  
 55 E. 111th Street, Indianapolis, IN 46280  
 350 South Edgeware Road, St. Thomas, ON N5P 4L1  
 © 2017 Delta Faucet Company

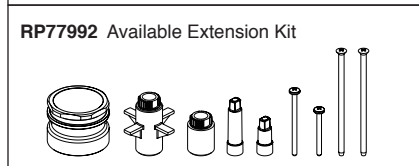
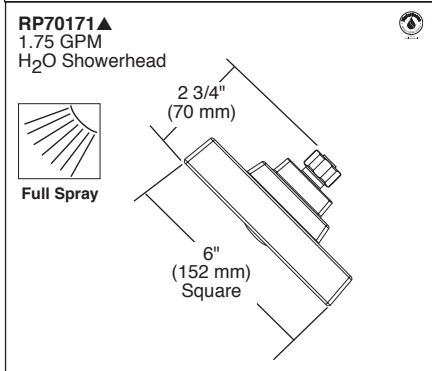
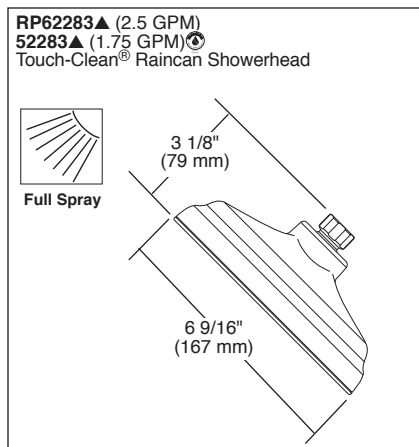
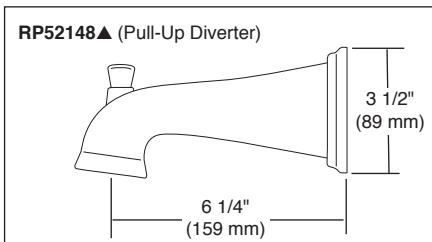


Submitted Model No.: \_\_\_\_\_

Specific Features: \_\_\_\_\_



### ▲ Designate Proper Finish Suffix



Delta reserves the right (1) to make changes in specifications and materials, and (2) to change or discontinue models, both without notice or obligation. Dimensions are for reference only. See current full-line price book or [www.deltafaucet.com](http://www.deltafaucet.com) for finish options and product availability.

Submitted Model No.: \_\_\_\_\_  
 Specific Features: \_\_\_\_\_



see what Delta can do™

# PERSONAL HAND HELD SHOWERS

## ■ Touch-Clean® Nozzles

### STANDARD SPECIFICATIONS:

- Maximum 2.5 gpm @ 80 psi, 9.5 L/min @ 550 kPa (57014 only)
- Maximum 1.75 gpm @ 80 psi, 6.6 L/min @ 550 kPa
- Hand held shower with one or three spray settings
- 60"-82" stretchable metal hose
- Certified dual check valves for backflow protection
- 24" (610 mm) wall bar with adjustable slide (allows for adjustable shower height) - 57014, 57021, 57051 and 57085 only. Not to be used as a Grab Bar. Not ADA compliant
- Wall mount bracket - 55013, 55020, 55021, 55051 and 55085 only

### WARRANTY

- Lifetime limited warranty on parts (other than electronic parts and batteries) and finishes: or, for commercial users, for 5 years from date of purchase.
- 5 year limited warranty on electronic parts (other than batteries); or, for commercial users, for 1 year from the date of purchase. No warranty is provided on batteries.

### COMPLIES WITH:

- ASME A112.18.1/CSA B125.1 ♦
- EPA WaterSense®

<p><b>57014▲ 2.5 GPM</b></p> <p>Accepts 1/2" - 14 NPSM Male</p>	<p><b>57021▲ 1.75 GPM</b></p> <p>Accepts 1/2" - 14 NPSM Male</p>	<p><b>57051▲ 1.75 GPM</b></p> <p>Accepts 1/2" - 14 NPSM Male</p>
<p><b>57085▲ 1.75 GPM</b></p> <p>Accepts 1/2" - 14 NPSM Male</p>	<p><b>55013▲ 1.75 GPM</b></p> <p>Accepts 1/2" - 14 NPSM Male</p>	<p><b>55020▲ 1.75 GPM</b></p> <p>Accepts 1/2" - 14 NPSM Male</p>
<p><b>55021▲ 1.75 GPM</b></p> <p>Accepts 1/2" - 14 NPSM Male</p>	<p><b>55051▲ 1.75 GPM</b></p> <p>Accepts 1/2" - 14 NPSM Male</p>	<p><b>55085▲ 1.75 GPM</b></p> <p>Accepts 1/2" - 14 NPSM Male</p>

▲ Designate proper finish suffix

◆ Your Delta Faucet handshower incorporates a backflow protection system that has been tested to be in compliance with ASME A112.18.3 and ASME A112.18.1/CSA B125.1. It incorporates two certified check valves in series, which operate independently and are integral, non-serviceable parts of the wand assembly.

Delta reserves the right (1) to make changes in specifications and materials, and (2) to change or discontinue models, both without notice or obligation. Dimensions are for reference only. See current full-line price book or www.deltafaucet.com for finish options and product availability.

**Delta Faucet Company**  
 55 E. 111th Street, Indianapolis, IN 46280  
 350 South Edgeware Road, St. Thomas, ON N5P 4L1  
 © 2017 Delta Faucet Company

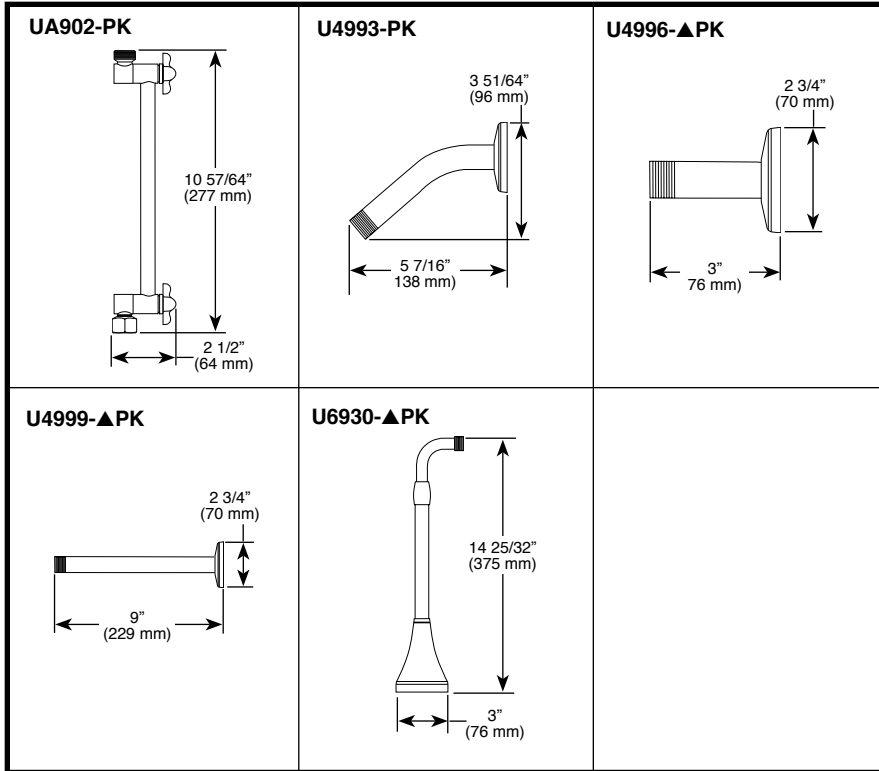
Submitted Model No.: \_\_\_\_\_

Specific Features: \_\_\_\_\_



# SHOWER ARMS

- Fixed, Extendable, and Adjustable Shower Arms
- Brass Construction



▲ Designate proper finish suffix

### STANDARD SPECIFICATIONS:

- Shower arms attach directly to water supply.
- Brass construction.
- Shower arm and flange: U4993, U4996, U4999.
- Adjustable 18" up and down: U902.
- Extendable: U6930.

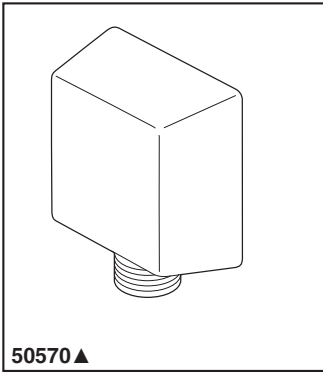
### WARRANTY

- Lifetime Faucet and Finish Limited Warranty to the original consumer purchaser to be free from defects in material and workmanship.
- 5 Year Limited Warranty for usage in all industrial, commercial and business applications.



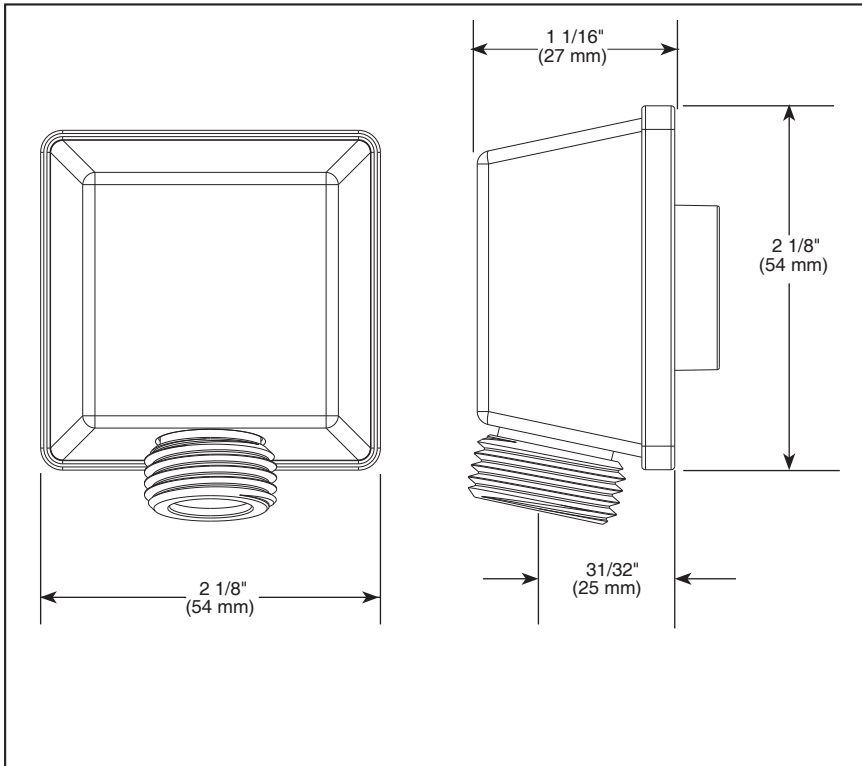
55 E. 111th Street, Indianapolis, Indiana 46280  
 350 South Edgeware Road, St. Thomas, ON N5P 4L1  
 © 2012 Masco Corporation of Indiana

Delta reserves the right (1) to make changes in specifications and materials, and (2) to change or discontinue models, both without notice or obligation. Dimensions are for reference only. See current full-line price book or [www.specselect.com](http://www.specselect.com) for finish options and product availability.



Submitted Model No.: \_\_\_\_\_

Specific Features: \_\_\_\_\_



▲ Designate proper finish suffix



## ELBOW

### STANDARD SPECIFICATIONS

- Solid brass construction.
- 1/2" female NPT inlet.
- 1/2" male NPSM outlet for connecting to shower hoses.

### WARRANTY

- Lifetime Faucet and Finish Limited Warranty to the original consumer purchaser to be free from defects in material and workmanship.
- 5 Year Limited Warranty for usage in all industrial, commercial and business applications.

### COMPLIES WITH:

- ASME A112.18.1 / CSA B125.1

Delta reserves the right (1) to make changes in specifications and materials, and (2) to change or discontinue models, both without notice or obligation. Dimensions are for reference only. See current full-line price book or [www.specselect.com](http://www.specselect.com) for finish options and product availability.

DSP-B-50570 Rev. A

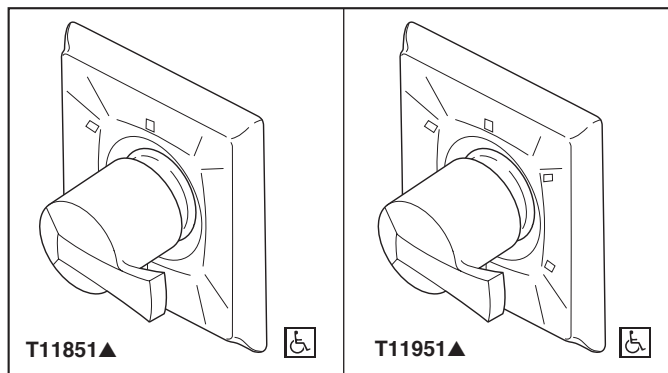


55 E. 111th Street, Indianapolis, Indiana 46280  
 350 South Edgeware Road, St. Thomas, ON N5P 4L1  
 © 2012 Masco Corporation of Indiana



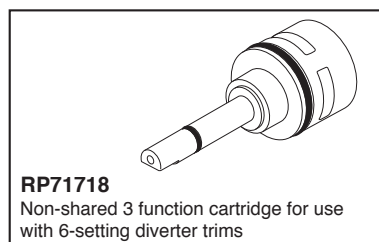
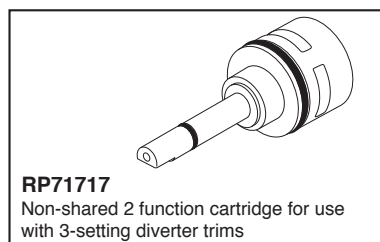
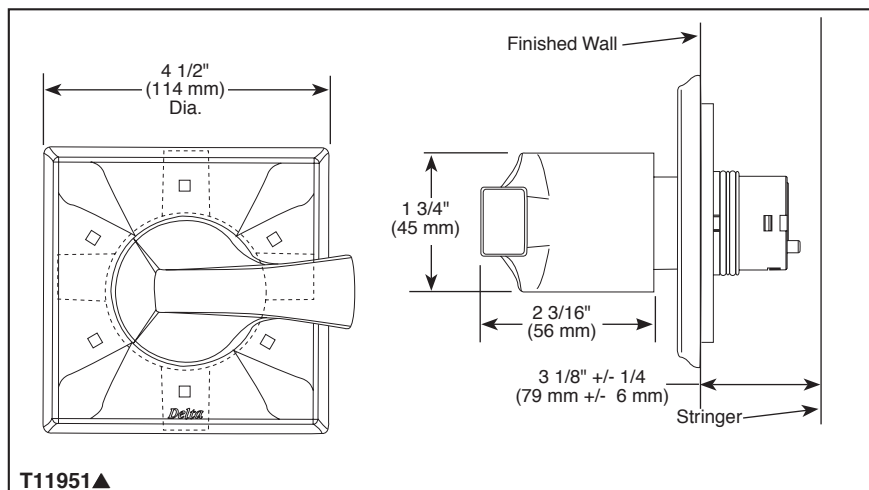
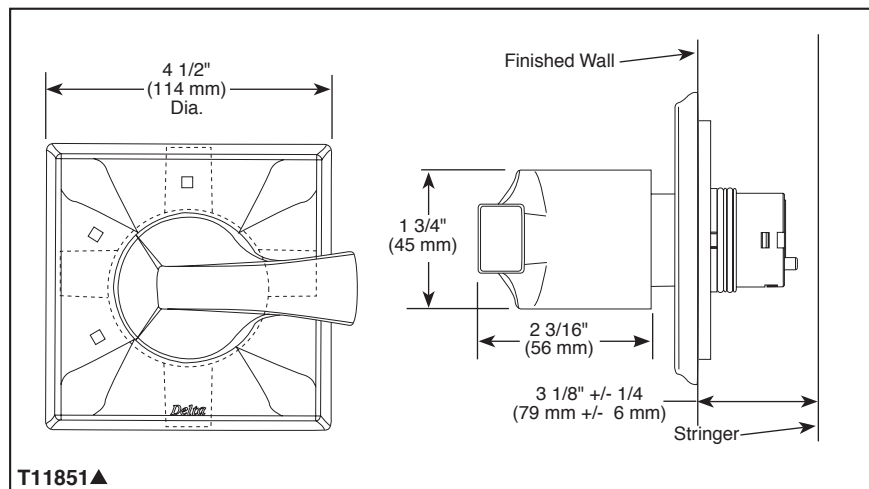
# CUSTOM SHOWER DIVERTER

- Dryden™ Collection
- Three Function Diverter Trim (T11851)
- Six Function Diverter Trim (T11951)
- Coordinates With All Delta Dryden™ Styled Bath Suites



Submitted Model No.: \_\_\_\_\_

Specific Features: \_\_\_\_\_



▲ Designate proper finish suffix

Delta reserves the right (1) to make changes in specifications and materials, and (2) to change or discontinue models, both without notice or obligation. Dimensions are for reference only. See current full-line price book or [www.deltafaucet.com](http://www.deltafaucet.com) for finish options and product availability.

DSP-B-T11851 Rev. D

## STANDARD SPECIFICATIONS

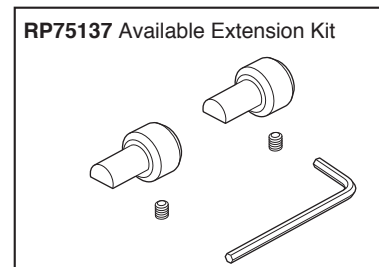
- Three function diverter 2 individual positions, 1 shared position.
- Six function diverter 3 individual positions, 3 shared positions.
- 1/2" rough-in.
- Must also order R1 1000 rough-in.
- Two individual positions, no shared positions order cartridge RP71717.
- Three individual positions, no shared positions order cartridge RP71718.

## WARRANTY

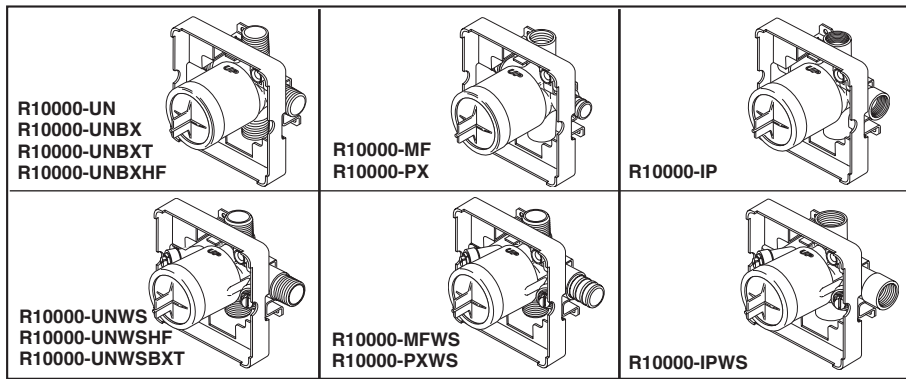
- Lifetime limited warranty on parts (other than electronic parts and batteries) and finishes; or, for commercial users, for 5 years from date of purchase.
- 5 year limited warranty on electronic parts (other than batteries); or, for commercial users, for 1 year from the date of purchase. No warranty is provided on batteries.

## COMPLIES WITH:

- ASME A112.18.1 / CSA B125.1
- Indicates compliance to ICC/ANSI A117.1

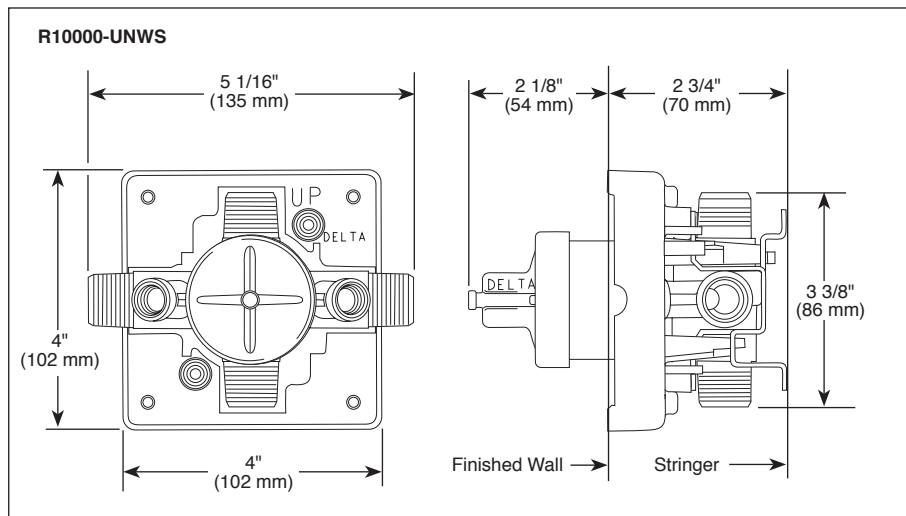
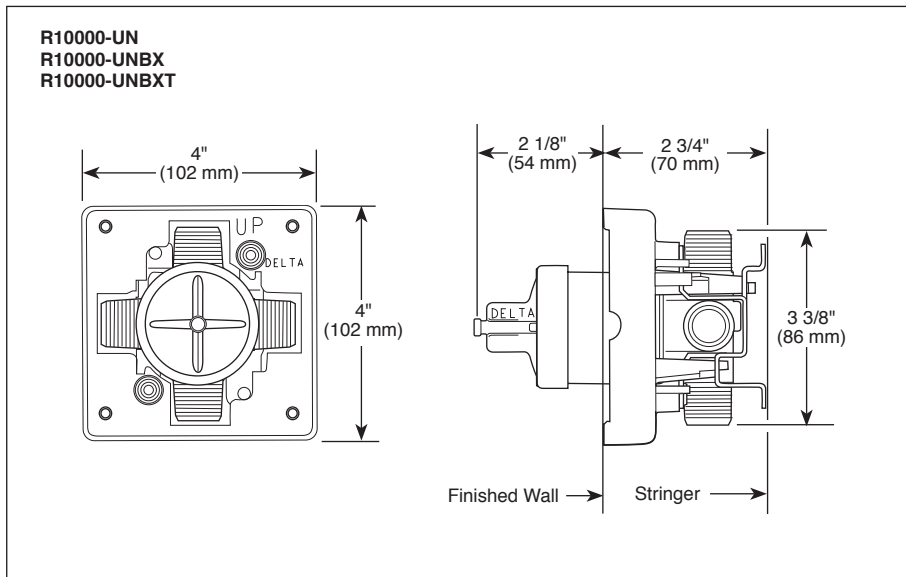


55 E. 111th Street, Indianapolis, Indiana 46280  
350 South Edgeware Road, St. Thomas, Ontario Canada N5P 4L1  
© 2014 Masco Corporation of Indiana



Submitted Model No.: \_\_\_\_\_

Specific Features: \_\_\_\_\_




# MULTICHOICE<sup>®</sup> UNIVERSAL ROUGH VALVE BODY

- R10000-UN (Universal Inlets/Outlets)
- R10000-UNBX (Universal Single Box Model)
- R10000-UNBXHF (High Flow Shower Only)
- R10000-UNBXT (Thin Wall)
- R10000-UNWS (Universal with Stops)
- R10000-UNWSHF (High Flow with Stops)
- R10000-UNWSBXT (Thin Wall with Stops)
- R10000-PX (Pex Crimp Connections with UN Outlets)
- R10000-PXWS (Pex Crimp Connections with Stop with UN Outlets)
- R10000-IP (IPS Inlets/Outlets)
- R10000-IPWS (IPS with Stops)
- R10000-MF (Pex Cold Expansion Connections with UN Outlets)
- R10000-MFWS (Pex Cold Expansion with Stops with UN Outlets)

### STANDARD SPECIFICATIONS:

- Forged brass body.
- Back-to-Back installation capabilities.
- Can be tested with air (200 PSI) or water (300 PSI) without valve using supplied test cap.
- Square plasterguard allows for right angle cuts.
- Thin wall mounting.
- For use with MultiChoice<sup>®</sup> Universal single or dual function trim. Cartridge ships with trim.
- 1/2" outlets and connections.

Note: No tub outlet in HF model.

Note: Should use proper fitting with each type (copper tubing, iron pipe, and pex fitting).

Note: Should use proper tooling with crimping pex fitting and cold expansion pex models.

Note: IP indicates female 1/2" threaded connections.

Note: UN indicates Universal type fitting and is 1/2" NPT male thread with 1/2" C.W.T. female sweat.

### WARRANTY

- Lifetime limited warranty on parts (other than electronic parts and batteries) and finishes: or, for commercial users, for 5 years from date of purchase.
- 5 year limited warranty on electronic parts (other than batteries); or, for commercial users, for 1 year from the date of purchase. No warranty is provided on batteries.

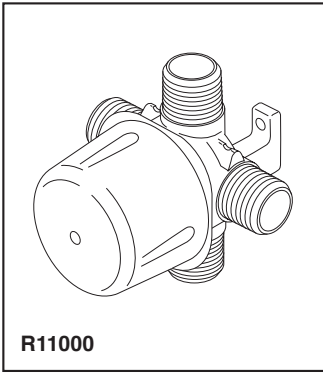
### COMPLIES WITH:

- ASME A112.18.1 / CSA B125.1



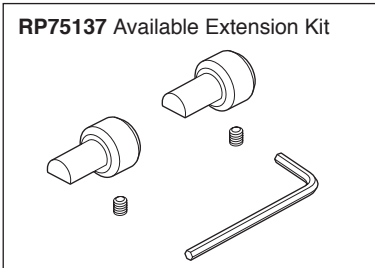
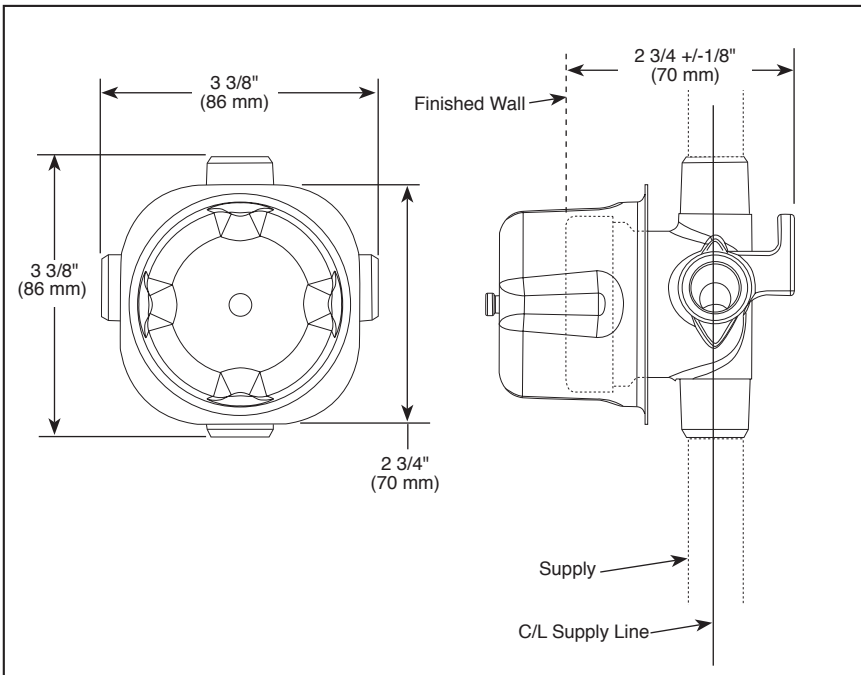
55 E. 111th Street, Indianapolis, Indiana 46280  
350 South Edgeware Road, St. Thomas, ON N5P 4L1  
© 2015 Masco Corporation of Indiana

Delta reserves the right (1) to make changes in specifications and materials, and (2) to change or discontinue models, both without notice or obligation. Dimensions are for reference only. See current full-line price book or [www.deltafaucet.com](http://www.deltafaucet.com) for finish options and product availability.



Submitted Model No.: \_\_\_\_\_

Specific Features: \_\_\_\_\_



## ROUGH VALVE BODY

- R11000 (Case Qty. 3)
- 1/2" Rough-In

### STANDARD SPECIFICATIONS

- Three port diverter rough
- For use with (3) three or (6) six function diverter.
- Forged brass body
- Can be tested with air (200 psi) or water (300 psi) using supplied test cap
- Refer to the installation instructions for more details

### WARRANTY

- Lifetime limited warranty on parts (other than electronic parts and batteries) and finishes: or, for commercial users, for 5 years from date of purchase.
- 5 year limited warranty on electronic parts (other than batteries); or, for commercial users, for 1 year from the date of purchase. No warranty is provided on batteries.

### COMPLIES WITH:

- ASME A112.18.1 / CSA B125.1

Delta reserves the right (1) to make changes in specifications and materials, and (2) to change or discontinue models, both without notice or obligation. Dimensions are for reference only. See current full-line price book or [www.deltafaucet.com](http://www.deltafaucet.com) for finish options and product availability.

DSP-B-R11000 Rev. E



55 E. 111th Street, Indianapolis, Indiana 46280  
 350 South Edgeware Road, St. Thomas, ON N5P 4L1  
 © 2015 Masco Corporation of Indiana