



see what Delta can do™

SLIDE BAR / GRAB BAR HANDSHOWER MOUNT

- Accommodates Conical Hose Nuts
- ADA Compliant

STANDARD SPECIFICATIONS:

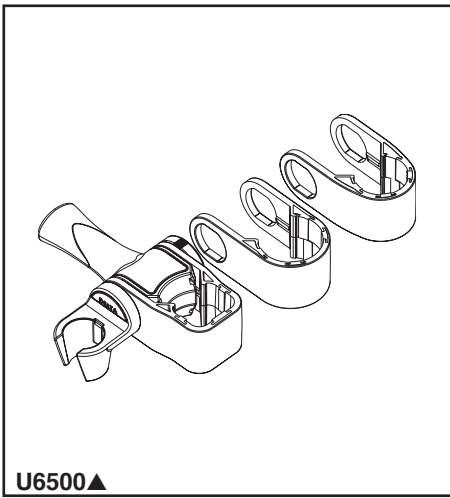
- Mounts handshower to grab bar
- Accommodates conical hose nuts
- Fits 1 1/2", 1 1/4" round grab bars or Delta Angular Modern Grab bar / Slide bar
- Rotatable hand shower mount
- Design allows for handshower to be mounted to left, right or in front of round grab bars / slide bars
- Design allows for handshower to be mounted in front of Delta Angular Modern grab bar / slide bar
- Operable by left hand, right hand or closed fist

WARRANTY

- Lifetime limited warranty on parts (other than electronic parts and batteries) and finishes; or for commercial users, for 5 years from the date of purchase.
- 5 year limited warranty on electronic parts (other than batteries); or for commercial users, for 1 year from the date of purchase. No warranty is provided on batteries.

COMPLIES WITH

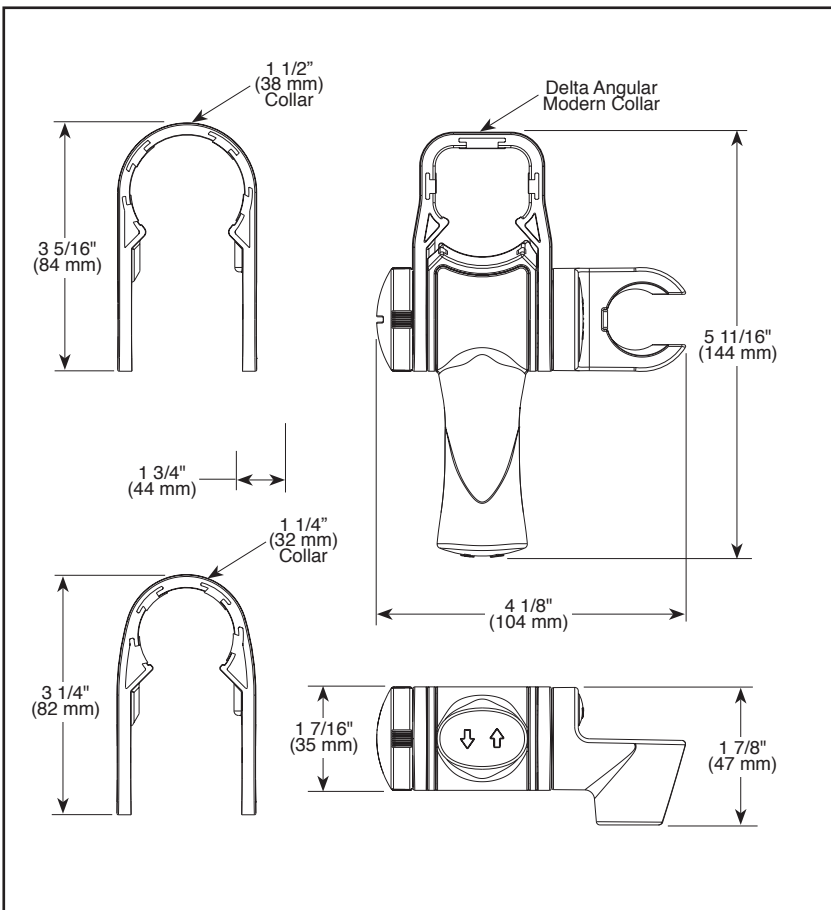
- ASME A112.18.1/CSA B125.1
-  Indicates compliance to ICC / ANSI A117.1



U6500▲

Submitted Model No.: _____

Specific Features: _____



▲ Designate proper finish suffix

Delta reserves the right (1) to make changes in specifications and materials, and (2) to change or discontinue models, both without notice or obligation. Dimensions are for reference only. See current full-line price book or www.deltafaucet.com for finish options and product availability.

DSP-B-U6500 Rev. A

Delta Faucet Company

55 E. 111th Street, Indianapolis, IN 46280
350 South Edgeware Road, St. Thomas, ON N5P 4L1
© 2017 Delta Faucet Company