

TUB AND SHOWER FAUCET TRIM

- Tesla™ Bath Collection
- Valve Only (T14052)
- Shower Only (T14252)
- Tub/Shower (T14452)

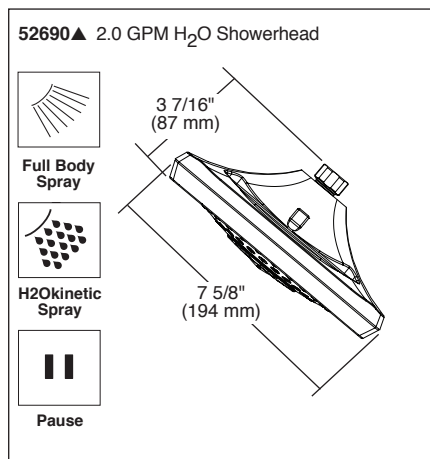
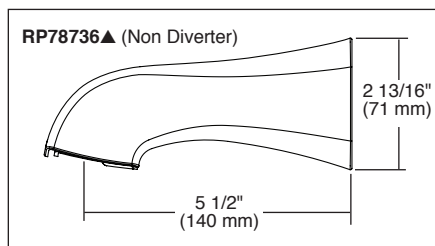
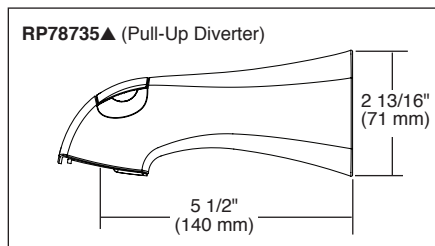
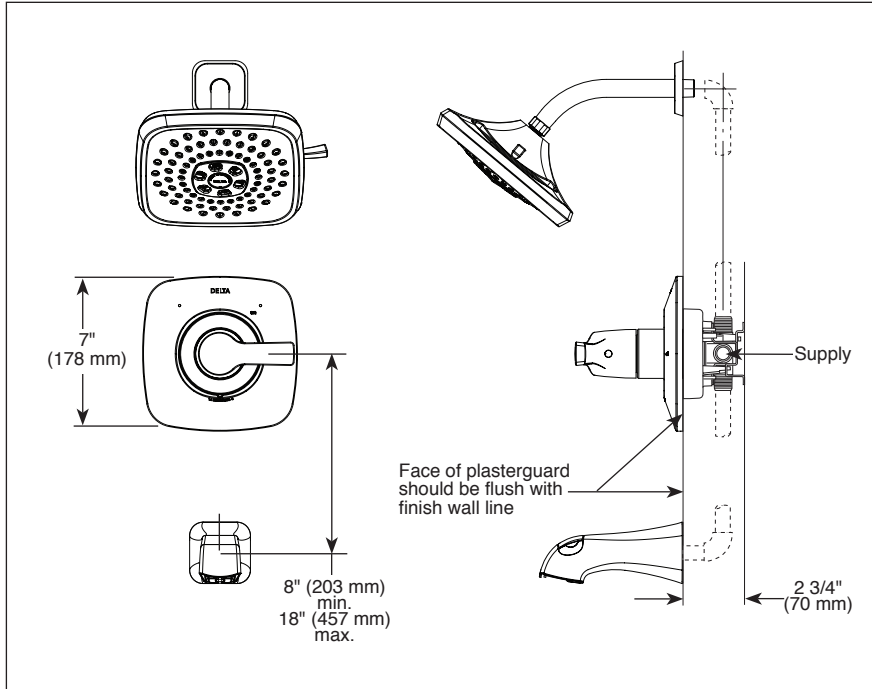
STANDARD SPECIFICATIONS:

- Monitor® 14 Series pressure balanced bath single handle mixing valve trim.
- Maintains a balanced pressure of hot and cold water even when a valve is turned on or off elsewhere in the system.
- Three-setting H₂Okinetic® showerhead.
- 2.0 gpm @ 80 PSI (7.6 L/min @ 550 kPa).
- For use with MultiChoice® Universal rough valve body. (R10000 Series)
- Back-to-back installation capability.
- Solid brass forged body.
- Temperature only controlled with handle.
- Field adjustable to limit handle rotation into hot water zone.
- 120° maximum handle rotation.
- All parts replaceable from the front of the valve.
- Red/blue pad print temperature indicator on the temperature adjustment dial.
- "-LHD" models indicate less showerhead.

WARRANTY

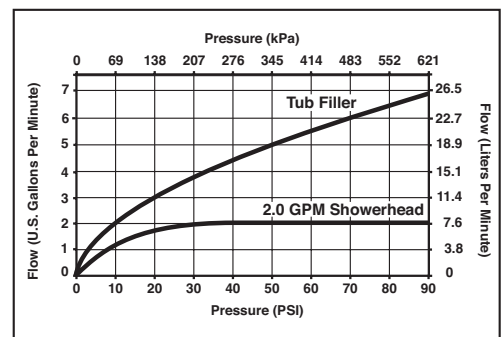
- Lifetime limited warranty on parts (other than electronic parts and batteries) and finishes: or, for commercial users, for 5 years from date of purchase.
- 5 year limited warranty on electronic parts (other than batteries); or, for commercial users, for 1 year from the date of purchase. No warranty is provided on batteries.

Submitted Model No.: _____
 Specific Features: _____



COMPLIES WITH:

- ASME A112.18.1 / CSA B125.1
- Indicates compliance to ICC/ANSI A117.1-Valve control only.
- EPA WaterSense®



▲ Designate Proper Finish Suffix



Delta reserves the right (1) to make changes in specifications and materials, and (2) to change or discontinue models, both without notice or obligation. Dimensions are for reference only. See current full-line price book or www.deltafaucet.com for finish options and product availability.

55 E. 111th Street, Indianapolis, Indiana 46280
 350 South Edgeware Road, St. Thomas, ON N5P 4L1
 © 2015 Masco Corporation of Indiana