

Submitted Model No.: _____

Specific Features: _____



see what Delta can do™

DIVERTERS

- All Brass Construction
- ADA Compliant

STANDARD SPECIFICATIONS:

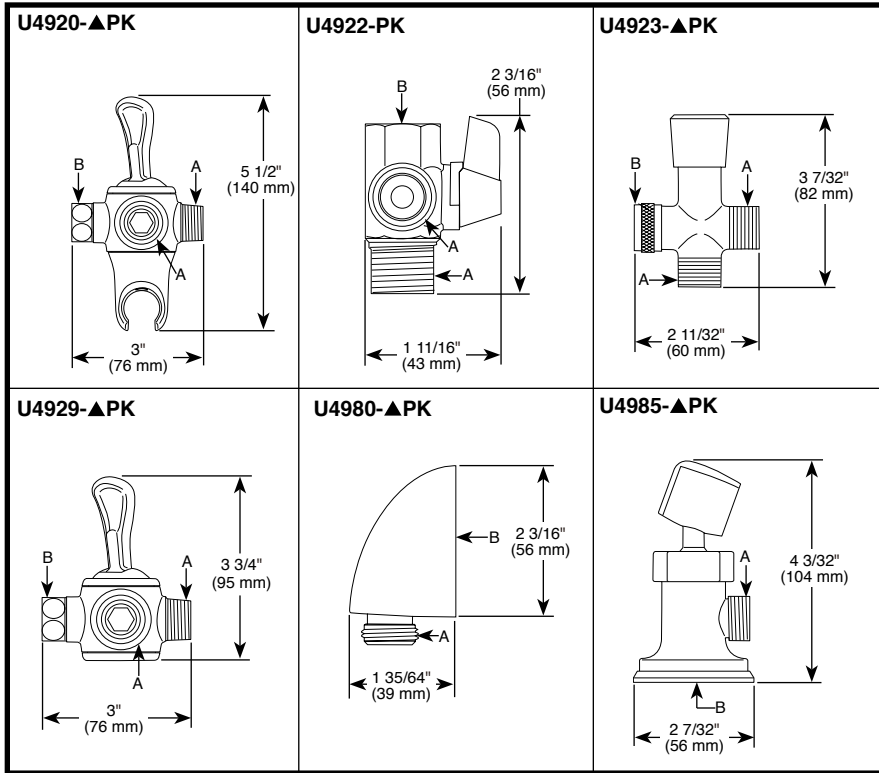
- All brass construction
- Diverts water
- Flip lever: U4920, U492
- Water supply elbow: U4980.

WARRANTY

- Lifetime limited warranty on parts (other than electronic parts and batteries) and finishes; or for commercial users, for 5 years from the date of purchase.
- 5 year limited warranty on electronic parts (other than batteries); or for commercial users, for 1 year from the date of purchase. No warranty is provided on batteries

COMPLIES WITH:

Indicates compliance to ICC/ANSI A117.1



▲ Designate proper finish suffix

A	1/2-14 NPSM-2A
B	1/2-14 NPSM-2B

Delta reserves the right (1) to make changes in specifications and materials, and (2) to change or discontinue models, both without notice or obligation. Dimensions are for reference only. See current full-line price book or www.deltafaucet.com for finish options and product availability.

DSP-B-U4920-PK Rev. D

Delta Faucet Company

55 E. 111th Street, Indianapolis, IN 46280
 350 South Edgeware Road, St. Thomas, ON N5P 4L1
 © 2017 Delta Faucet Company