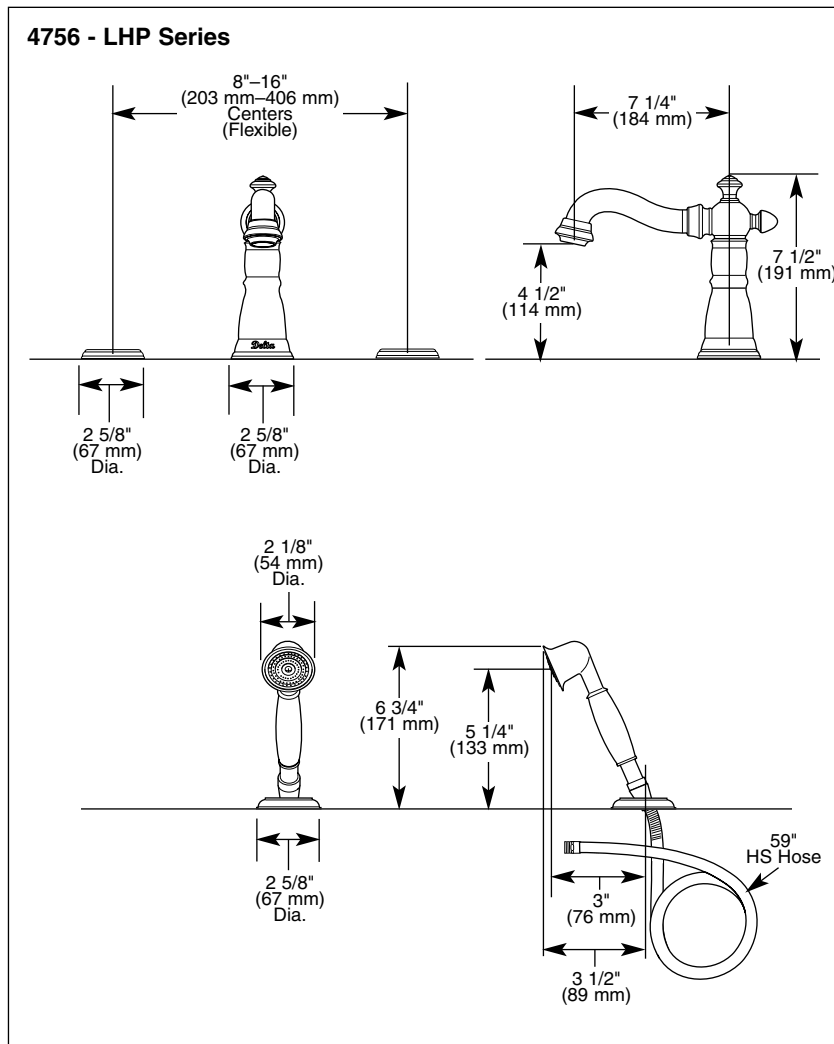


Submitted Model No.: _____

Specific Features: _____



Bath Valves

- Two Handle Diverter Roman Tub Faucet
- The Victorian™ Collection
- Trim Only
- Rough-In Kit Must Also Be Ordered to Complete Installation
- Four Hole Installation
- 7 1/4" (184 mm) Long Rigid Slip-On Spout
- Mount on Deck or Ledge
- Temperature and Volume Controlled with Handles



Complies with:

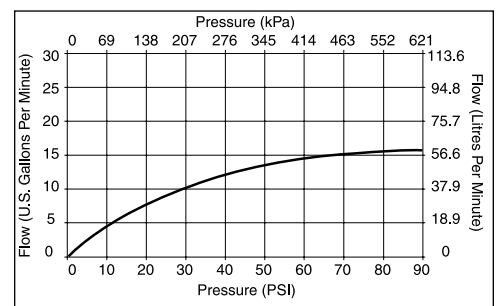
- ASME A112.18.1
- CSA B125
- CSA Certified
- ASME A112.18.3

TRIM STANDARD SPECIFICATIONS:

- Trim Only for two handle Roman Tub faucet for concealed mounting.
 - LHP - Less Handle Program. See available handle options on back.
 - 7 1/4" (184 mm) long, slip-on rigid spout.
 - Temperature and volume controlled with handles.
- NOTE: Rough-In kit must also be ordered to complete installation. Refer to rough-in kits and installation aids on back to determine the best kit for your situation. There are separate specification sheets on each rough-in kit if more details are required.

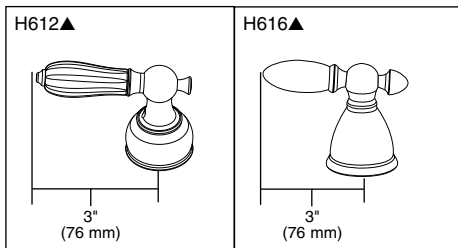
ROUGH-IN KIT STANDARD SPECIFICATIONS:

- Washerless.
- Four hole installation.
- 5/8" O.D. copper supply inlet/outlet tubes. R4707 outlet tubes are corrugated copper.
- R4707-Flexible widespread mount.
- Deck or ledge mount installation.
- Solid fabricated brass end valves and spout body.
- Control mechanism shall be of the rotating cylinder type with stainless steel plate and 180° rotation, with replaceable non-metallic seats operating in stainless steel lined sockets.
- Hot and cold stems are interchangeable.
- Temperature and volume controlled with handles.
- All operating parts shall be replaceable from the top.



Standard Features	4756-LHP	4756-PNLHP	4756-RBLHP	4756-SSLHP
	Washerless	◆	◆	◆
Four hole installation	◆	◆	◆	◆
7 1/4" (184 mm) Long, 7 1/2" (191 mm) High Slip-On Rigid Spout	◆	◆	◆	◆
LHP - Less Handle Program—See Handle Kit Options*	◆	◆	◆	◆
2 5/8" (67 mm) Diameter Decorative Handle Bases	◆	◆	◆	◆
Chrome Finish	◆			
<i>Brilliance</i> ® Polished Nickel Finish		◆		
<i>Brilliance</i> ® Stainless Finish				◆
Venetian Bronze™ Finish			◆	

***Available LHP Handle Options**
▲Designate proper finish suffix.



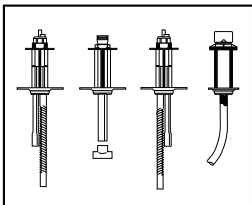
Available Options for Field Conversion:

- Bath waste assemblies and bath accessories are available separately.

Installation Aids:

- The Helpful Hand for 4" (102 mm) to 16" (406 mm) centers-aligns widespread handles. Order RP22132.

Rough-In Kit:



R4707

- Adjustable rough-in — adjusts to 2 1/2" (63.5 mm) maximum deck thickness.
- Conventional or thick tile rough-in.
- The Helpful Hand for 4" (102 mm) to 16" (406 mm) centers-aligns widespread handles. Order RP22132.



Indianapolis, Indiana 46280
 A Division of Masco Corporation of Indiana
 © 2003 Masco Corporation of Indiana