



see what Delta can do<sup>SM</sup>

## ACCESSORIES

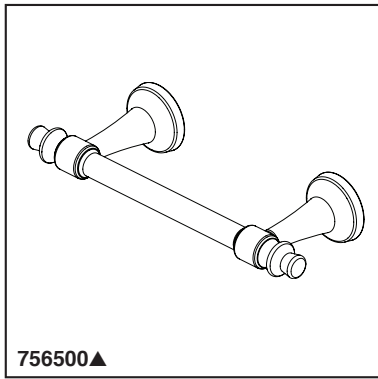
- Dorval™ Bath Collection
- Tissue Holder

### STANDARD SPECIFICATIONS:

- Wood blocking is preferable behind all wall surfaces. If wood blocking is not available, the following fasteners are suggested: Tile/Masonry-Plastic or lead Anchors Plaster/drywall-Toggle bolts.
- Mounting hardware and mounting template included with product.
- Pivoting arm

### WARRANTY

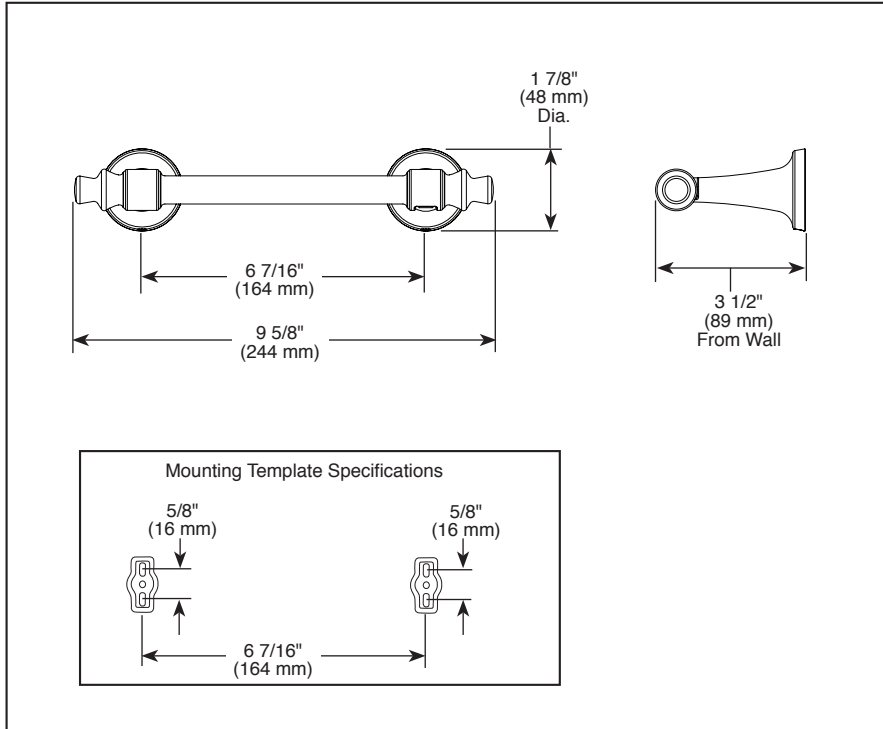
- Lifetime Faucet and Finish Limited Warranty to the original consumer purchaser to be free from defects in material and workmanship.
- 5 Year Limited Warranty for usage in all industrial, commercial and business applications.



756500▲

Submitted Model No.: \_\_\_\_\_

Specific Features: \_\_\_\_\_



▲ Designate Proper Finish Suffix