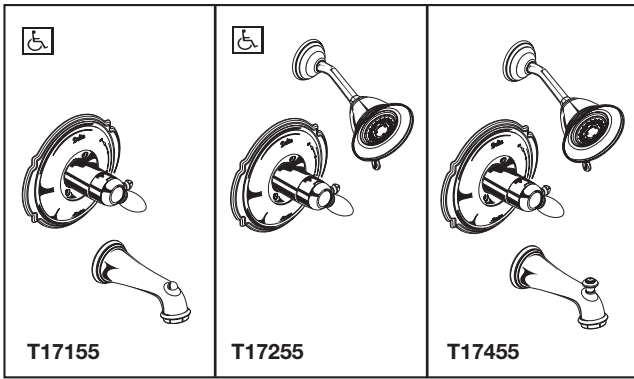


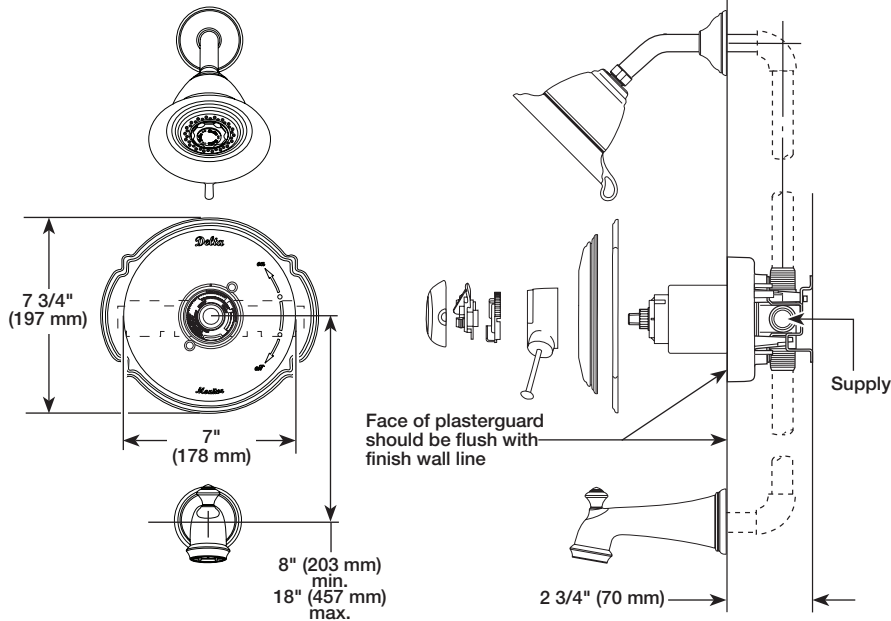
# DELTA<sup>®</sup>

## TUB AND SHOWER FAUCET TRIM

- Victorian<sup>®</sup> Collection
- Tub Only (T17155 Series)
- Shower Only (T17255 Series)
- Tub/Shower (T17455 Series)



Submitted Model No.: \_\_\_\_\_  
 Specific Features: \_\_\_\_\_



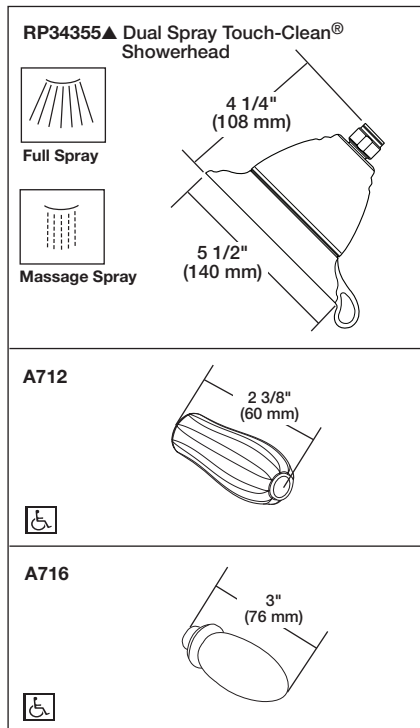
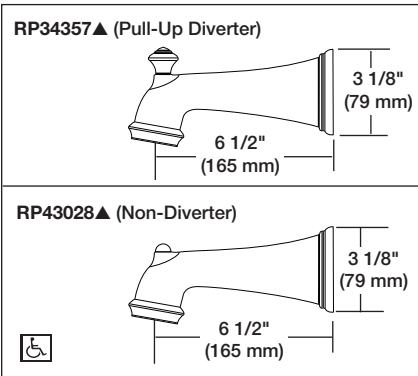
### STANDARD SPECIFICATIONS:

- Monitor<sup>®</sup> 17 Series pressure balanced bath mixing valve with Scald-Guard<sup>®</sup>.
- Maintains a balanced pressure of hot and cold water even when a valve is turned on or off elsewhere in the system.
- For use with MultiChoice<sup>™</sup> Universal rough valve body. (R10000 Series)
- Back-to-back installation capability.
- Solid brass fabricated body.
- Lever volume control handle; temperature adjustment dial.
- Field adjustable to limit handle rotation into hot water zone.
- Maximum dial rotation adjustable between 90° and 180°.
- All parts replaceable from the front of the valve.
- Includes decorative trim ring (RP34359).

### WARRANTY

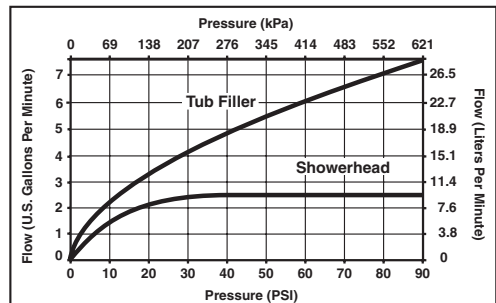
- Lifetime Faucet and Finish Limited Warranty to the original consumer purchaser to be free from defects in material and workmanship.
- 5 Year Limited Warranty for usage in all industrial, commercial and business applications.

▲ = Specify Finish



### COMPLIES WITH:

- ASME A112.18.1 / CSA B125.1
- ASSE 1016
- Indicates ADA compliance to ICC/ANSI A117.1



Delta reserves the right (1) to make changes in specifications and materials, and (2) to change or discontinue models, both without notice or obligation. Dimensions are for reference only. See current full-line price book or [www.specselect.com](http://www.specselect.com) for finish options and product availability.

55 E. 111th Street, Indianapolis, IN 46280  
 395 Matheson Blvd. E., Mississauga, ON L4Z 2H2  
 © 2007 Masco Corporation of Indiana