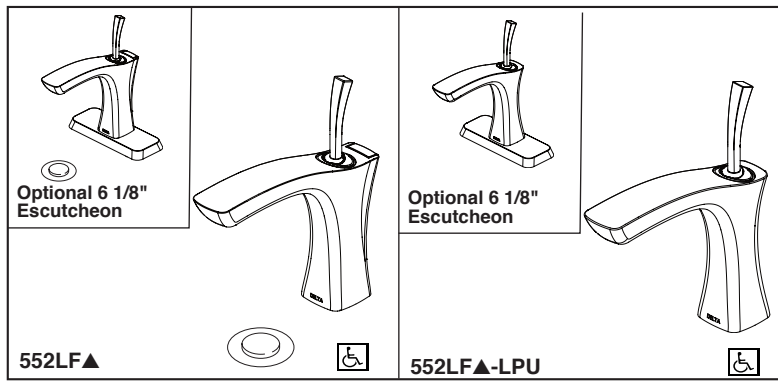




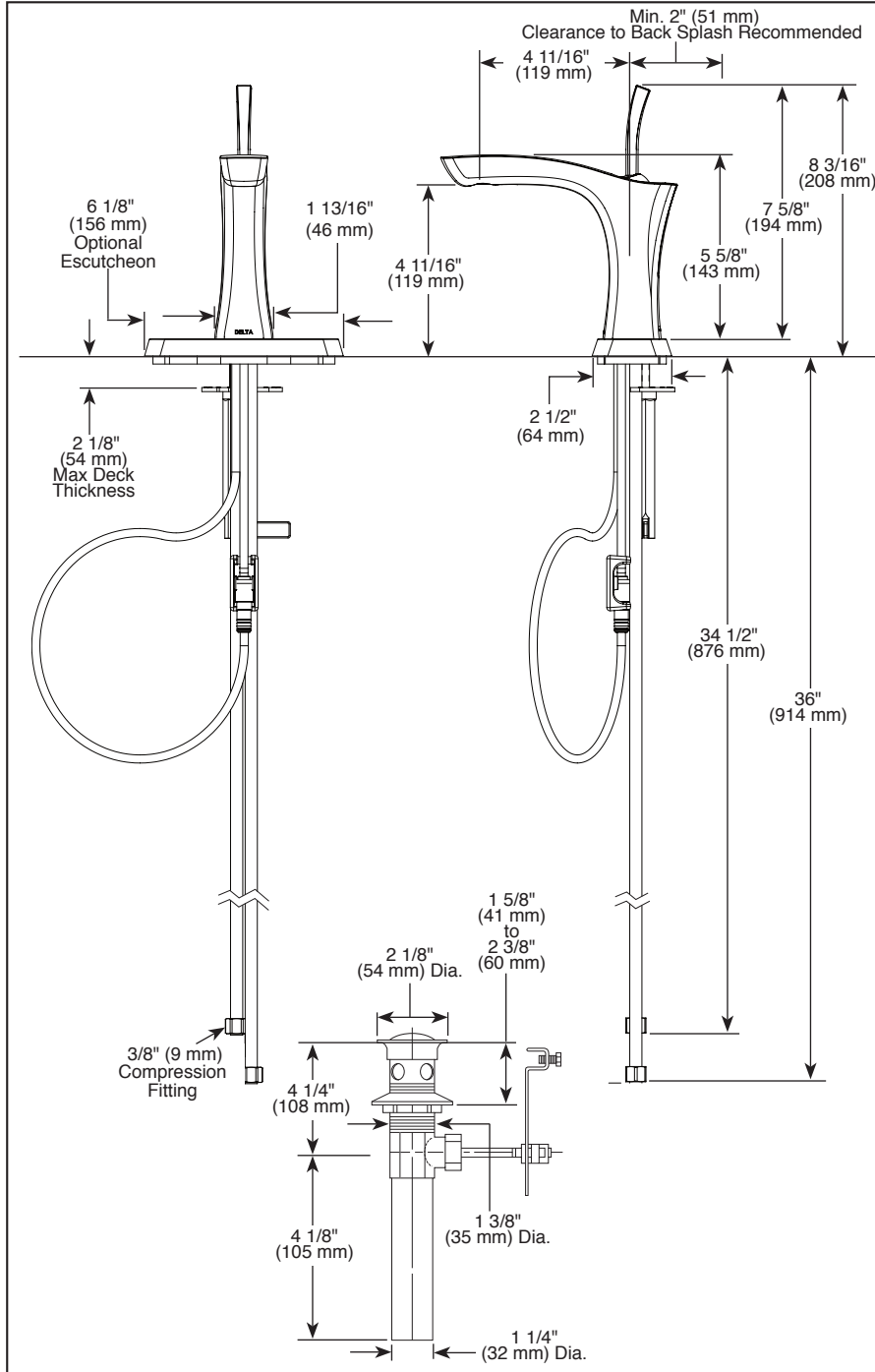
LAVATORY FAUCETS

- Tesla™ Bath Collection
- Single Handle Deck Mount
- 1 or 3 Hole Mount
(Optional 6 1/8" Escutcheon Included)



Submitted Model No.: _____

Specific Features: _____



STANDARD SPECIFICATIONS:

- Single handle lavatory deck faucet.
- 1 or 3 hole mount (6 1/8" (156 mm) escutcheon plate included).
- 4 11/16" (119 mm) long spout.
- 1 1/8" minimum - 1 1/2" maximum hole size.
- Joy stick handle. Control mechanism is the diamond embedded ceramic disc cartridge.
- Handle rotates 22°.
- Control handle shall return to neutral position when valve is turned off.
- 3/8" O.D. straight, staggered pex supply tubes 34 1/2" (876 mm) and 36" (914 mm) long.
- Maximum 1.50 gpm @ 60 psi, 5.7 L/min @ 414 kPa
- Models have metal drain with pop-up type fitting with plated flange and stopper.
- "LPU" models less pop-up drain; no lift rod.
- Max. mounting deck thickness is 2 1/8" (54 mm).
- Drain operates using vertical slide mechanism.
- Red/blue indicators.

WARRANTY

- Lifetime limited warranty on parts (other than electronic parts and batteries) and finishes: or, for commercial users, for 5 years from date of purchase.
- 5 year limited warranty on electronic parts (other than batteries); or, for commercial users, for 1 year from the date of purchase. No warranty is provided on batteries.



COMPLIES WITH:

- ASME A112.18.1 / CSA B125.1
- ASME A112.18.2 / CSA B125.2
- Indicates compliance to ICC/ANSI A117.
- EPA WaterSense®



55 E. 111th Street, Indianapolis, Indiana 46280
 350 South Edgeware Road, St. Thomas, ON N5P 4L1
 © 2015 Masco Corporation of Indiana

▲ Designate Proper Finish Suffix

Delta reserves the right (1) to make changes in specifications and materials, and (2) to change or discontinue models, both without notice or obligation. Dimensions are for reference only. See current full-line price book or www.deltafaucet.com for finish options and product availability.