



# LAVATORY FAUCETS

- Cassidy™ Series
- Two Handle Widespread Deck Mount
- 3 Hole Sink Applications
- 6" to 16" Centers
- Quick Snap® Installation

## STANDARD SPECIFICATIONS:

- Solid brass fabricated end valve and spout bodies.
- Widespread - 6" (152mm) to 16" (406 mm) centers.
- 5 17/32" (141 mm) long, 4 1/32" (102 mm) high, rigid spout.
- Quick Snap® Installation.
- LHP - Less Handle Program. See handle options below.
- 1/4 turn handle stops.
- Hot and cold stems are interchangeable.
- Control mechanism is the rotating cylinder type with stainless steel plate and 180° rotation, with replaceable non-metallic seats operating in stainless steel lined sockets.
- 3/8" O.D. copper supply tubes with 1/2"-14 NPSM adapters.
- Models have metal drain with pop-up type fitting with plated flange and stopper.
- Note: Standard mounting deck thickness can be extended 1" with RP10612.
- Maximum flow rate 1.5 gpm @ 60 PSI.

## WARRANTY

- Lifetime limited warranty on parts (other than electronic parts and batteries) and finishes: or, for commercial users, for 5 years from date of purchase.
- 5 year limited warranty on electronic parts (other than batteries); or, for commercial users, for 1 year from the date of purchase. No warranty is provided on batteries.



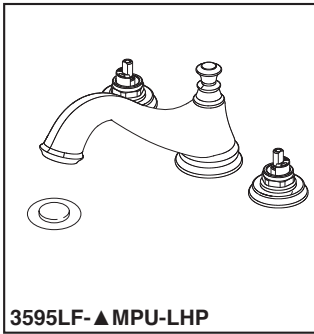
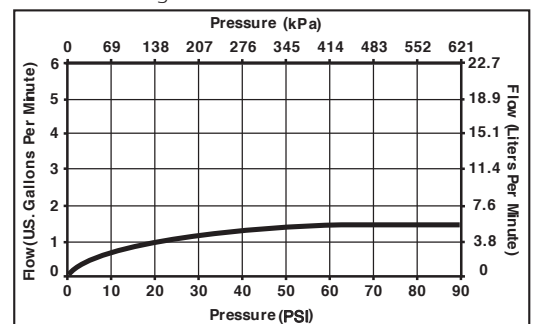
## COMPLIES WITH:

- ASME A112.18.1 M / CSA B1251
- ASME A112.18.2 / CSA B125.2

♿ Indicates compliance to ICC/ANSI A117.1

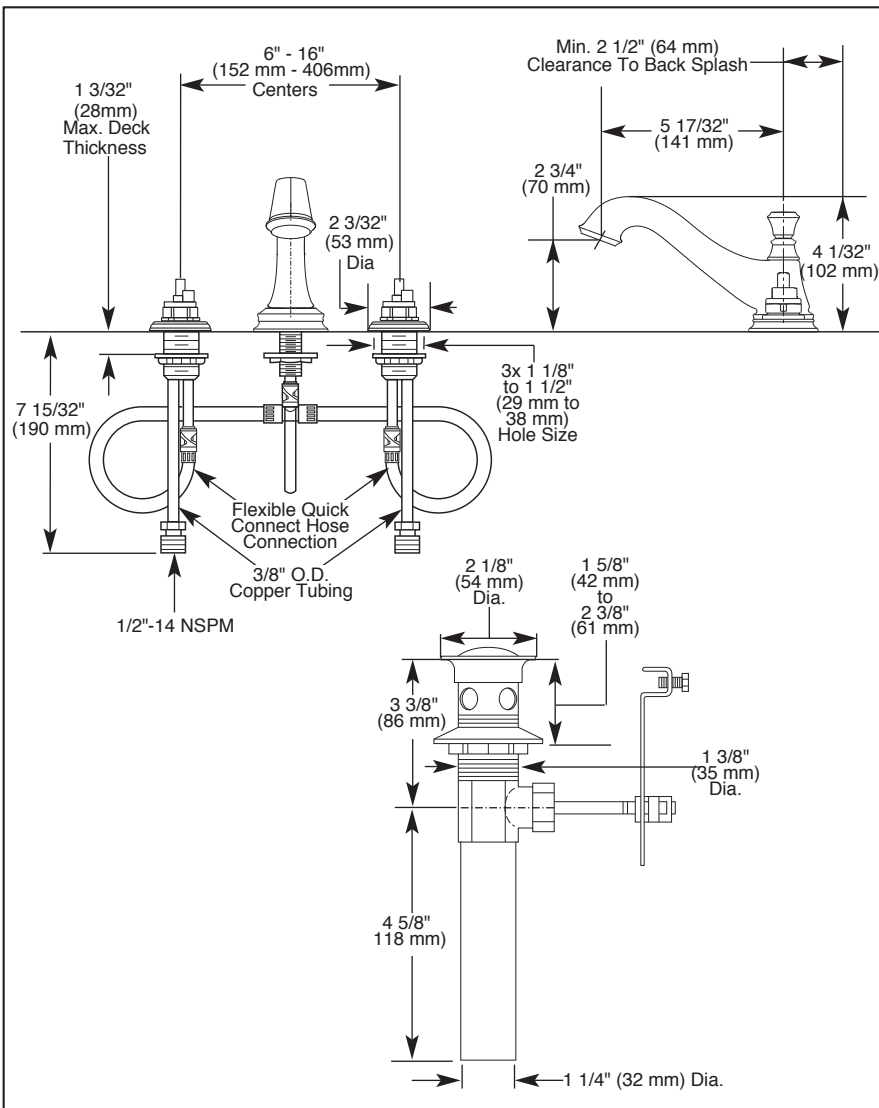
■ EPA WaterSense®

Verified compliant with 0.25% weighted average Pb content regulations.

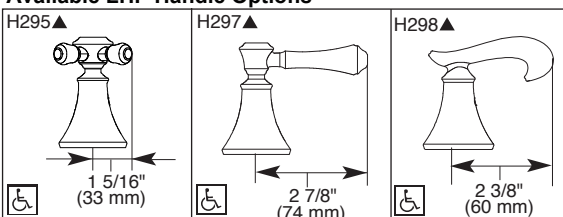


Submitted Model No.: \_\_\_\_\_

Specific Features: \_\_\_\_\_



## Available LHP Handle Options



▲ Designate proper finish suffix

Delta reserves the right (1) to make changes in specifications and materials, and (2) to change or discontinue models, both without notice or obligation. Dimensions are for reference only. See current full-line price book or [www.deltafaucet.com](http://www.deltafaucet.com) for finish options and product availability.

DSP-L-3595LF-MPU-LHP Rev. B



55 E. 111th Street, Indianapolis, Indiana 46280  
 350 South Edgeware Road, St. Thomas, Ontario Canada N5P 4L1  
 © 2013 Masco Corporation of Indiana