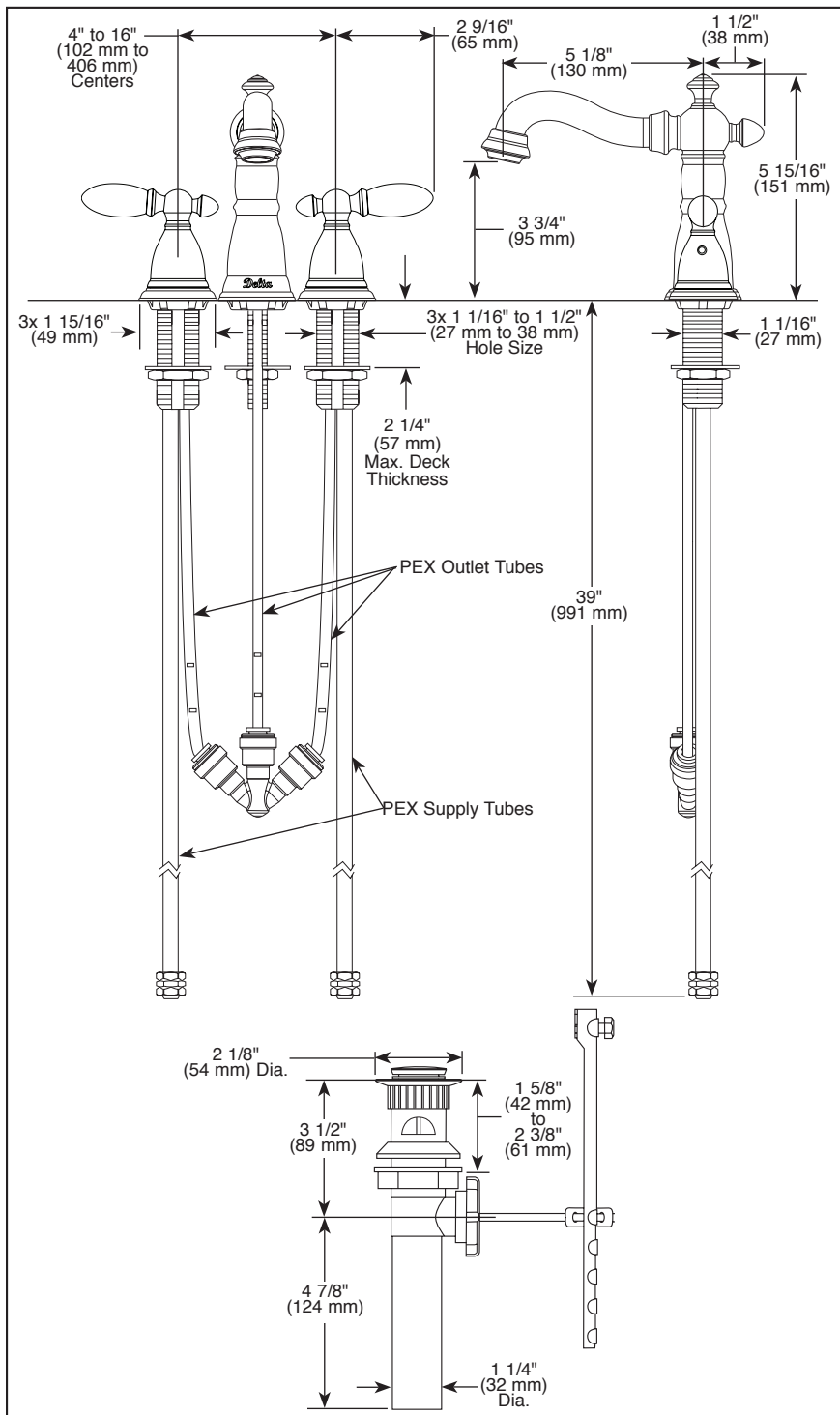


3555-▲ MPU-DST  
35955-▲-DST



Submitted Model No.: \_\_\_\_\_

Specific Features: \_\_\_\_\_



▲ Designate proper finish suffix

Delta reserves the right (1) to make changes in specifications and materials, and (2) to change or discontinue models, both without notice or obligation. Dimensions are for reference only. See current full-line price book or [www.deltafaucet.com](http://www.deltafaucet.com) for finish options and product availability.

DSP-L-35955-MPU-DST Rev. B



## LAVATORY FAUCETS

- Victorian® Collection
- Two Handle Widespread Deck Mount

### FEATURES:

- DIAMOND Seal® Technology

### STANDARD SPECIFICATIONS:

- Maximum 1.5 gpm @ 60 PSI, 5.7 L/Min @ 414 kPa
- Three hole mount
- Diamond coated ceramic cartridge
- 3/8" O.D. straight, staggered PEX supply tubes
- Solid brass fabricated end valve
- 1/4 turn stops
- Hot and cold stems are interchangeable
- Metal drain with pop-up type fitting with plated flange and stopper

### WARRANTY

- Lifetime limited warranty on parts (other than electronic parts and batteries) and finishes: or, for commercial users, for 5 years from date of purchase.
- 5 year limited warranty on electronic parts (other than batteries); or, for commercial users, for 1 year from the date of purchase. No warranty is provided on batteries.



### COMPLETE VALVE COMPLIES WITH:

- ASME A112.18.1 / CSA B125.1
- ASME A112.18.2 / CSA B125.2
- ASME A112.18.6
- Indicates compliance to ICC/ANSI A117.1
- EPA WaterSense®
- Verified compliant with .25% weighted average Pb content regulations.



55 E. 111th Street, Indianapolis, Indiana 46280  
350 South Edgeware Road, St. Thomas, ON N5P 4L1  
© 2015 Masco Corporation of Indiana