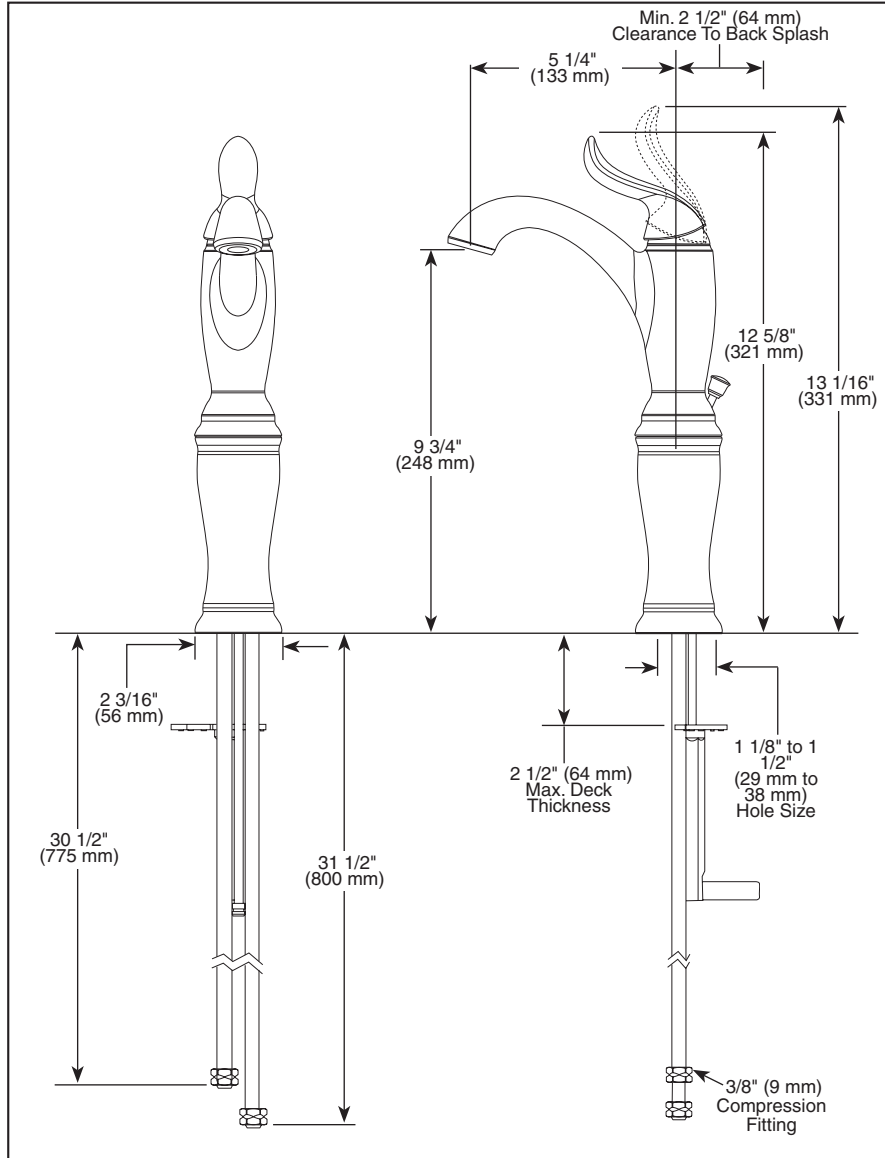


794▲-DST



Submitted Model No.: _____

Specific Features: _____



▲ Designate Proper Finish Suffix



LAVATORY FAUCETS

- Linden™ Collection
- Diamond Seal® Technology
- Single Handle Deck Mount
- 1 Hole Mount
- 5" Riser

STANDARD SPECIFICATIONS:

- Single handle lavatory deck faucet.
- 1 hole mount.
- Solid brass body.
- 5 1/4" (133 mm) long spout.
- Lever handle. Control mechanism is the diamond embedded ceramic disc cartridge.
- Control handle shall return to neutral position when valve is turned off.
- 3/8" O.D. straight, staggered pex supply tubes 30 1/2" (775 mm) and 31 1/2" (800 mm) long.
- Maximum 1.5 gpm flowrate @ 60 PSI.
- Models include finished 5" riser.
- Must order drain separately.

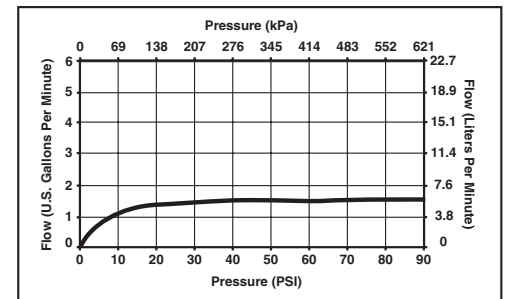
WARRANTY

- Lifetime Faucet and Finish Limited Warranty to the original consumer purchaser to be free from defects in material and workmanship.
- 5 Year Limited Warranty for usage in all industrial, commercial and business applications.



COMPLIES WITH:

- ASME A112.18.1 / CSA B125.1
- Indicates compliance to ICC/ANSI A117.1
- EPA Water Sense
- Verified compliant with .25% weighted average Pb content regulations.



55 E. 111th Street, Indianapolis, Indiana 46280
 350 South Edgeware Road, St. Thomas, ON N5P 4L1
 © 2011 Masco Corporation of Indiana

Delta reserves the right (1) to make changes in specifications and materials, and (2) to change or discontinue models, both without notice or obligation. Dimensions are for reference only. See current full-line price book or www.specselect.com for finish options and product availability.