



Architectural Design Series Concealed Flush Valve

1800D90TR



Description

Adjustable Flush Volume, Infrared Sensor, Chrome Finish, Hardwire Operated, Urinal Fixture, Electronic Manual Override, Front Accessible Rough-In Box

Specifications

- Flush Volume: Adjustable - Factory Set @ 0.5 gpf (1.9 Lpf)
- Sensor Type: Infrared
- Finish: Chrome
- Power Supply: Hardwire Operated (24 VAC) requires transformer (sold separately)
- Fixture Type: Urinal
- Override: Electronic Manual
- Rough-In Box: Front Accessible

Features

- Cover with integral sensor
- Vandal-resistant mounting plate, installed with single hidden screw
- No visible mounting hardware
- TRIM MODELS - Supplied as sensor and override button attached to cover
- Preset blocking time, built-in activation delay
- Micro-adjustable by electronical setting from the factory set volume
- Oversized ADA compliant push button

Required Accessories

- **060704A** - Transformer 120 to 24 VAC Class 2 20 VA
- **060771A** - Transformer 120 to 24 VAC Class 2 40 VA

Optional Accessories

- **061704A** - Hardwire with Battery Backup - (See DSP-BB for detailed specification)

Complies With

- ASSE 1037/ ASME A112.1037/ CSA B125.37
- ICC/ANSI A117.1



(Contact Delta Representative for State and/or Local Approvals)

Operation

- Hands free touch-less operation
- Power function light
- Adjustable 24 hours courtesy flush
- Selectable sensing distance - 12" to 28" (305 to 711 mm) in 4" (102 mm) increments factory set to 20" (508 mm)
- 12 seconds blocking time

Notes

- Rough-in (1800D90RI) ordered separately

NOTICE Dimensions are for reference only. Measurements may vary $\pm 0.25"$ (6 mm).

Max. flow rates are at 60 psi (414 kPa).

WaterSense® is a registered trademark of the U.S. Environmental Protection Agency.

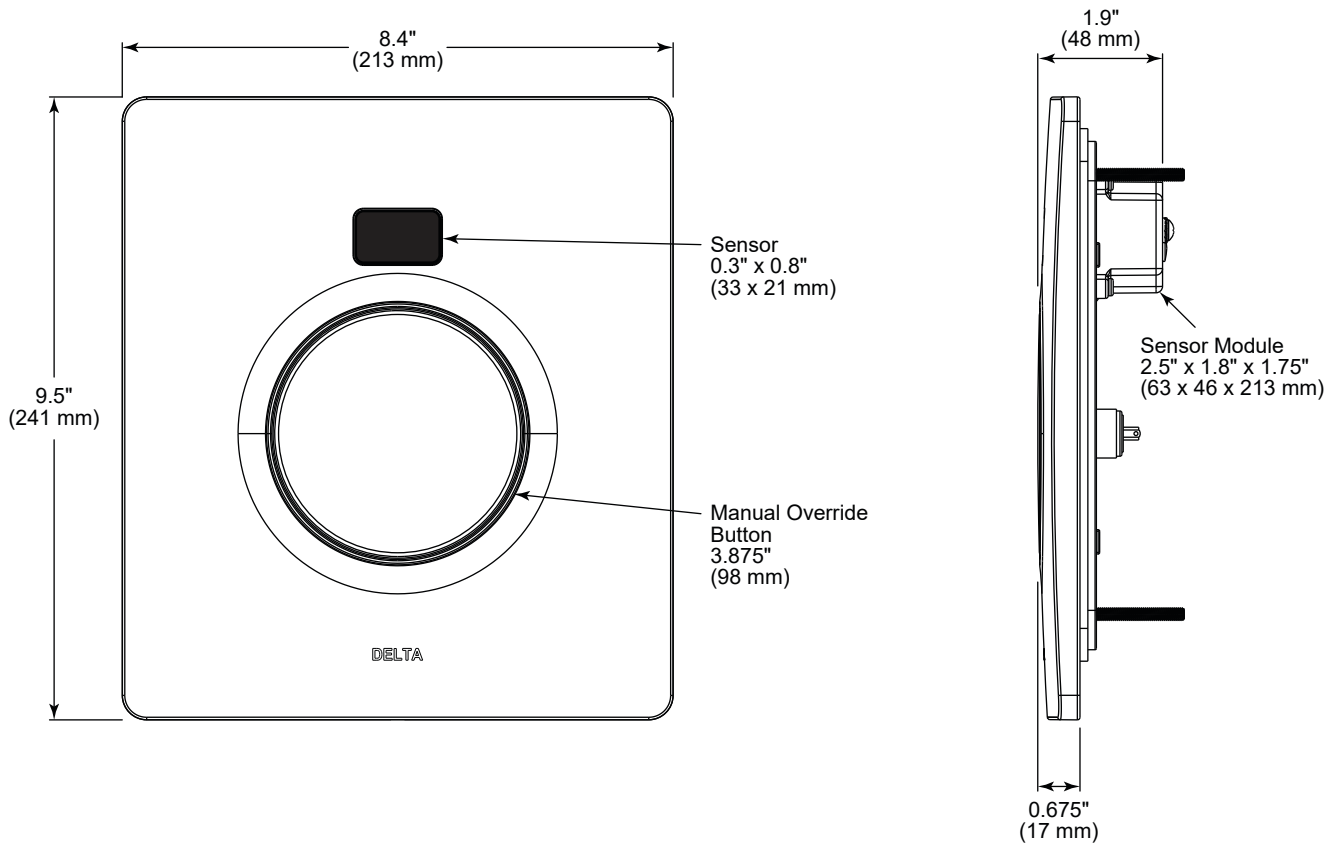
Delta Faucet Company reserves the right (1) to make changes in specifications and materials, and (2) to change or discontinue models, both without notice or obligation. See current full-line price book for finish options and product availability.

Masco Canada Limited
350 South Edgeware Rd, St Thomas, Ontario, Canada N5P 4L1
1-800-387-8277

1800D90TR

This spec was produced on May 28, 2024.

1800D90TR



Delta Commercial flushometer valves are designed to operate at a supply pressure between 20 psi and 125 psi in accordance with ASSE 1037/ASME A112.1037/CSA B125.37. At high water pressures, splash out, noise or reduced life of plumbing components may be observed with a few models of water closet or urinal fixtures. To minimize, or eliminate these effects, select a different model of water closet or urinal fixture from the same or different manufacturer, or install a pressure reducing valve. If the installation does not allow for either of these options, the ball valve adjustment may be used to reduce peak flow to the valve.

NOTICE Dimensions are for reference only. Measurements may vary $\pm 0.25"$ (6 mm).

Max. flow rates are at 60 psi (414 kPa).

WaterSense® is a registered trademark of the U.S. Environmental Protection Agency.

Delta Faucet Company reserves the right (1) to make changes in specifications and materials, and (2) to change or discontinue models, both without notice or obligation. See current full-line price book for finish options and product availability.

Masco Canada Limited
350 South Edgeware Rd, St Thomas, Ontario, Canada N5P 4L1
1-800-387-8277

1800D90TR

This spec was produced on May 28, 2024.