



MultiChoice® Valve Trim with Diverter Installation Instructions

Owners Manual

T27859, T27867, T27897,
T27959, T27967 & T27997
Series

82667

Write purchased model number here.

You May Need

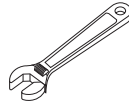
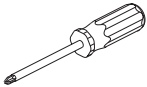


Table of Contents:

Warranties	Page 2
Installation Instructions	Pages 3 - 7
Clean and care.....	Page 9
Maintenance	Page 9
Cartridge Summary Reference Sheet	Page 9
Classic Series Replacement Parts	Page 10-12
For additional replacement parts, visit www.deltafaucet.com	

THIS VALVE MEETS OR EXCEEDS THE FOLLOWING STANDARDS: ASME A112.18.1/ CSA B125.1 and ASSE 1016 (Type -P- or -T-).

CAUTION: This system/device must be set by the installer to ensure safe, maximum temperature. Any change in the setting may raise the discharge temperature above the limit considered safe and may lead to hot water burns.

NOTICE TO INSTALLER: CAUTION!—As the installer of this valve, it is your responsibility to properly **INSTALL** and **ADJUST** this valve per the instructions given. This valve does not automatically adjust for inlet temperature changes, therefore, someone must make the necessary Rotational Limit Stop adjustments at the time of installation and further adjustments may be necessary due to seasonal water temperature change. **YOU MUST** inform the owner/user of this requirement by following the instructions. If you or the owner/user are unsure how to properly make these adjustments please refer to page 7 and if still uncertain, call us at 1-800-345-DELTA.

After installation and adjustment, you must affix your name, company name and the date you

adjusted the Rotational Limit Stop to the caution label provided and apply or attach the label to the back side of the closest cabinet door and the warning label to the water heater. **Leave this Instruction Sheet for the owner's/user's reference.**

WARNING: This pressure balanced or thermostatic bath valve is designed to minimize the effects of outlet water temperature changes due to inlet pressure changes, commonly caused by dishwashers, washing machines, toilets and the like. It may not provide protection from hot water burns when there is a failure of other temperature controlling devices elsewhere in the plumbing system, if the rotational limit stop is not properly set or if the hot water temperature is changed after the settings are made or if the water inlet changes due to seasonal changes.

WARNING: Do not install a shut-off device on either outlet of this valve. When this type of device shuts off the water flow, it can defeat the ability of the valve to balance the hot and cold water pressures.

Lifetime Faucet and Finish Limited Warranty

Parts and Finish

All parts (other than electronic parts and batteries) and finishes of this Delta® faucet are warranted to the original consumer purchaser to be free from defects in material and workmanship for as long as the original consumer purchaser owns the home in which the faucet was first installed or, for commercial users, **for 5 years from the date of purchase.**

Electronic Parts and Batteries (if applicable)

Electronic parts (other than batteries), if any, of this Delta® faucet are warranted to the original consumer purchaser to be free from defects in material and workmanship for 5 years from the date of purchase or, for commercial users, for one year from the date of purchase. No warranty is provided on batteries.

Delta Faucet Company will replace, **FREE OF CHARGE**, during the applicable warranty period, any part or finish that proves defective in material and/or workmanship under normal installation, use and service. If repair or replacement is not practical, Delta Faucet Company may elect to refund the purchase price in exchange for the return of the product. **These are your exclusive remedies.**

Delta Faucet Company recommends using a professional plumber for all installation and repair. We also recommend that you use only genuine Delta® replacement parts.

Delta Faucet Company shall not be liable for any damage to the faucet resulting from misuse, abuse, neglect or improper or incorrectly performed installation, maintenance or repair, including failure to follow the applicable care and cleaning instructions.

Replacement parts may be obtained by calling the applicable number below or by writing to:

In the United States and Mexico:

Delta Faucet Company
Product Service
55 E. 111th Street
Indianapolis, IN 46280
1-800-345-DELTA (3358)
customerservice@deltafaucet.com

In Canada:

Masco Canada Limited, Plumbing Group
Technical Service Centre
350 South Edgeware Road
St. Thomas, Ontario, Canada N5P 4L1
1-800-345-DELTA (3358)
customerservice@mascocanada.com

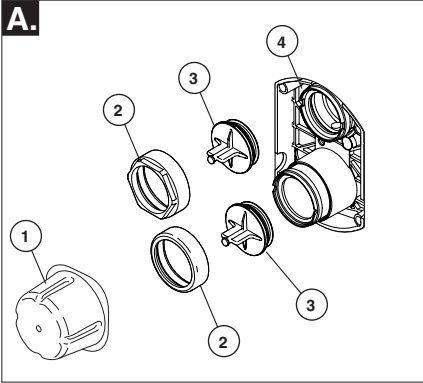
Proof of purchase (original sales receipt) from the original purchaser must be made available to Delta Faucet Company for all warranty claims unless the purchaser has registered the product with Delta Faucet Company. This warranty applies only to Delta® faucets manufactured after January 1, 1995 and installed in the United States of America, Canada and Mexico.

DELTA FAUCET COMPANY SHALL NOT BE LIABLE FOR ANY SPECIAL, INCIDENTAL OR CONSEQUENTIAL DAMAGES (INCLUDING LABOR CHARGES) FOR BREACH OF ANY EXPRESS OR IMPLIED WARRANTY ON THE FAUCET. Some states/provinces do not allow the exclusion or limitation of special, incidental or consequential damages, so these limitations and exclusions may not apply to you. This warranty gives you special legal rights. You may also have other rights which vary from state/province to state/province.

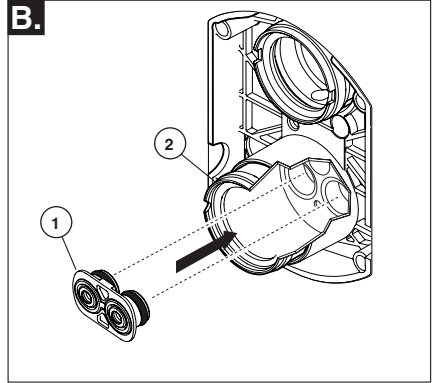
This is Delta Faucet Company's exclusive written warranty and the warranty is not transferable.

If you have any questions or concerns regarding our warranty, please view our Warranty FAQs at www.deltafaucet.com, email us at customerservice@deltafaucet.com or call us at the applicable number above.

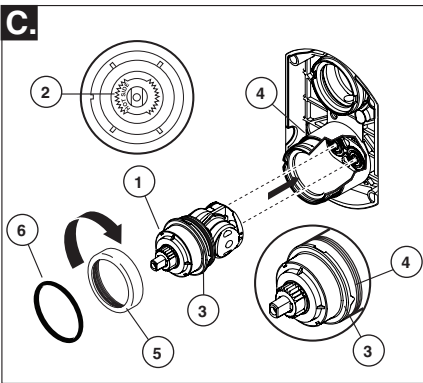
1 Cartridge Installation



Turn off water supplies. Remove cover (1), bonnet nuts (2) and test caps (3) from the rough-in body (4). Place a bucket or small container over the front of the valve body and slowly open the water supplies to flush any debris from the supply lines before installing the cartridge. Turn the water supplies back off.

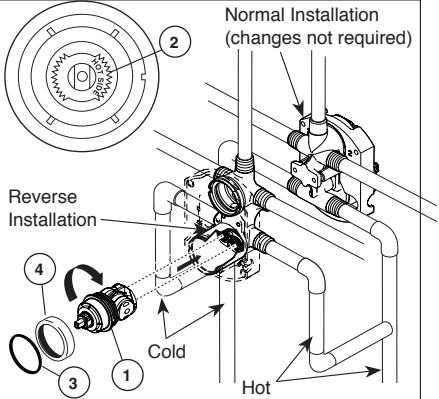


Insert adapter assembly (1) into rough-in body (2). Make sure the adapter assembly is correctly positioned and is pressed all the way down inside rough-in body.



Rotate cartridge (1) so the words "HOT SIDE" (2) appear on the left. Insert cartridge assembly into rough-in body. Make sure the key (3) on the valve cartridge is fully engaged with the slot in the brass body (4). Insert bonnet nut (5) over the cartridge and thread onto the body. Hand tighten securely, slide o-ring (6) over bonnet nut and cartridge. A light coating of plumbers grease applied to o-rings may aid in assembly.

Back to back Installation



For the exceptions of back to back or reverse installations (hot on right and cold on left) only: Rotate valve cartridge (1) so "HOT SIDE" appears on the right.

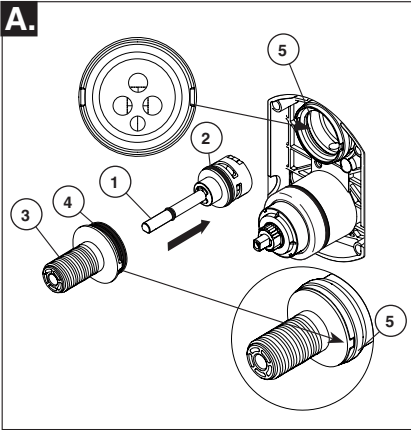
Apply silicone lube to the three o-rings shown above to make the cartridge easier to install and remove from the rough-in body.

Install the cartridge making sure that the keys are fully engaged with the slot in the rough-in body (see step C).

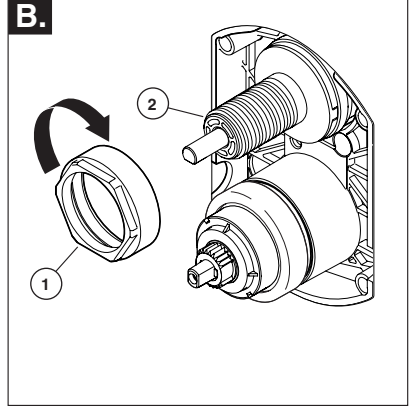
Slide o-ring (3) and bonnet nut (4) over the cartridge and thread onto the rough-in body. Hand tighten securely.

Installation

2 Diverter Cartridge Installation

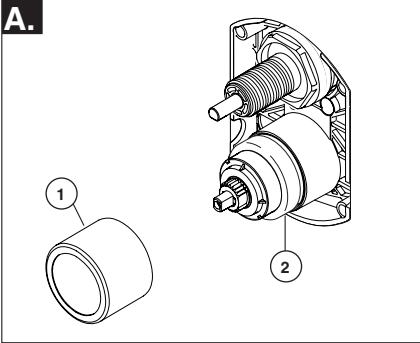


FOR DIVERTER CARTRIDGE INSTALLATION:
Apply silicone lube to the o-ring (2) to make the diverter sleeve (3) easier to install diverter cartridge. A light coating of plumbers grease applied to o-rings (4) may aid in assembly. Install diverter cartridge (1) assuring that the locating pin on the bottom of the cartridge aligns with mating hole in rough-in body. Slide diverter sleeve (3) over cartridge stem aligning tabs on the diverter sleeve with slots in rough-in body (5).



For Bonnet Installation
Slide bonnet nut (1) over diverter sleeve (2) and thread into rough-in body. Hand tighten securely.

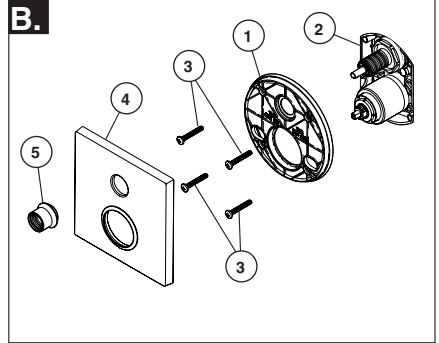
3 Trim Installation



Trim Sleeve Installation

Slide trim sleeve (1) over the bonnet (2), cartridge and rough-in body.

Ensure sleeve is properly positioned over the front of cartridge.



Escutcheon Installation

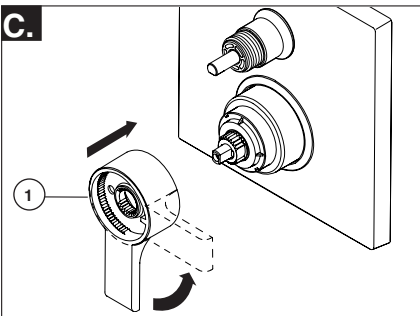
For finished wall thickness up to 1 1/8". Secure the backplate (1) to the rough-in body (2) using 4 screws (3) provided.

Note: Be sure backplate is oriented front side forward and markings are visible.

Slide escutcheon (4) over diverter cartridge, thread trim nut (5) provided onto diverter sleeve.

Note: For thick wall installations, order installation kit RP90543 to support finished wall thickness up to 2 1/8".

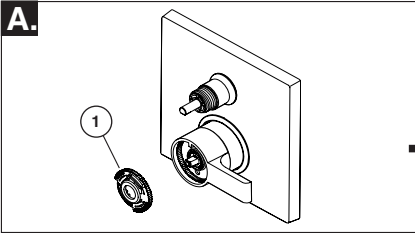
On rough or uneven surfaces it is necessary to apply caulk around the backplate (1) to supplement the seal. Do not caulk the drip notch in the bottom of the backplate (1). Do not caulk the escutcheon (4).



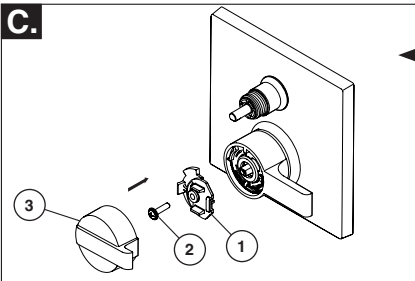
Install volume control handle (1) with lever pointing down, then turn to the on position.
DO NOT SECURE WITH SCREW.

Installation

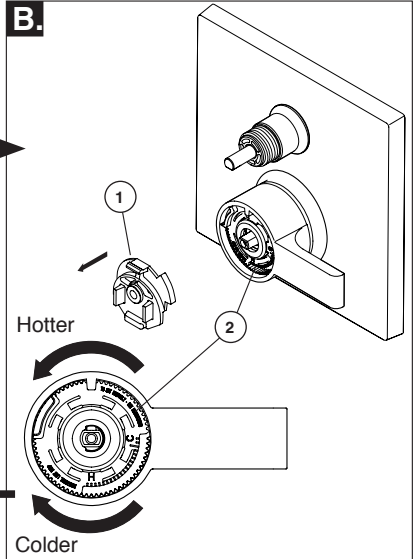
4 Installation and Adjustment of the Rotational Limit Stop



Place the temperature control knob (1) on volume handle and rotate to the mixed position (if required). **DO NOT SECURE WITH SCREW.** Turn on water supplies; let the water run until both hot and cold water is as hot/cold as possible. Place thermometer in a plastic tumbler, and hold the tumbler in the water stream. Record the temperature reading.



Secure temperature control knob (1) with screw (2). snap on temperature control cover (3) with side snaps onto knob (1).

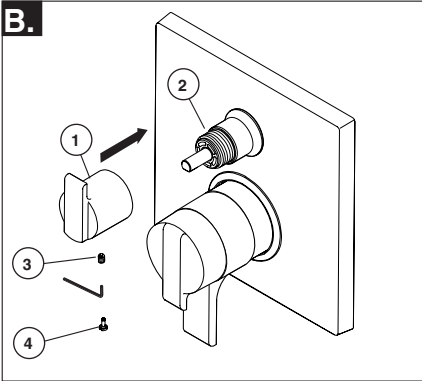


If the water temperature is above 120°F, remove the temperature control knob (1) and rotate the limit stop (2) clockwise one tooth for every 4°F - 6°F (approximate) change in temperature. If water temperature is cooler than desired, rotate the limit stop counterclockwise.

IMPORTANT: The first position of the Rotational Limit Stop (the Limiter) is that position that restricts the rotation of the stem the most and is at the maximum clockwise setting. According to industry standards, the maximum allowable temperature of the water exiting from the valve is 120°F. This temperature may vary in your local area. The Rotational Limit Stop may need to be readjusted if the inlet water temperature changes. For instance, during the winter, the cold water temperature is colder than it is during the summer which could result in varying outlet temperatures. Typical temperature for a comfortable bath or shower is between 90°–110° F.

5 Potential scald or thermal shock injury could result due to cross flow if outlet at the shower is blocked or restricted (e.g., pause control on showerhead). Be sure to point showerhead away from you when re-starting flow or install inlet check valves on both supply lines to prevent possible injury.

6 Diverter handle Installation

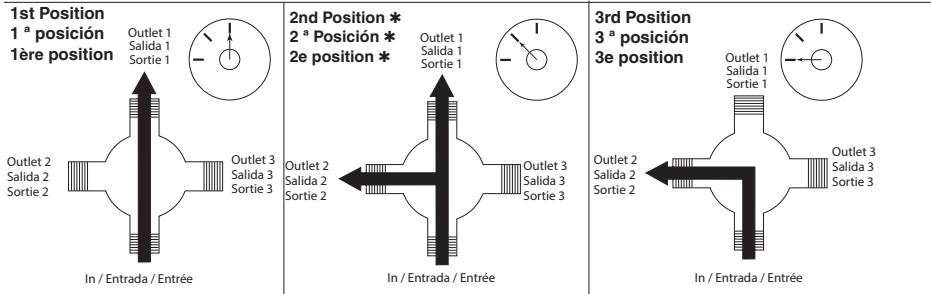


Diverter Handle Installation

Slide diverter handle (1) onto trim sleeve (2).
Using an allen wrench, insert set screw (3) into
handle (1). Applying pressure, insert set screw
cover (4) until properly seated.

Diverter Handle Reference Sheet

Water Flow For 3 Function Diverter / Flujo de agua para Desviadores de 3 posiciones / Écoulement de l'eau pour les inverseurs à 3 positions

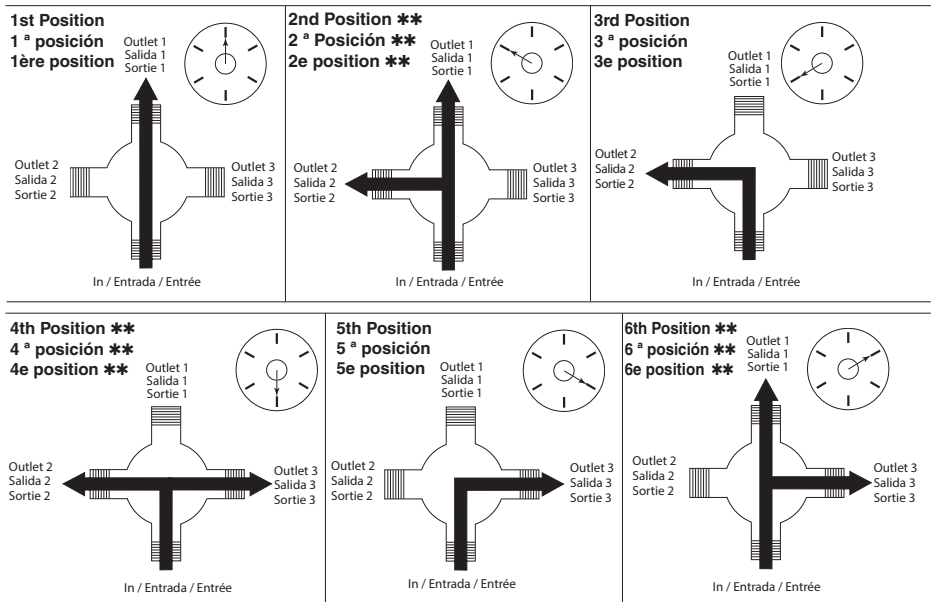


* Shared positions do not exist in non-shared cartridges.

* Los ajustes o posiciones compartidas no existen en los cartuchos no-compartidos.

* Comme leur nom l'indique, les cartouches sans position partagée ne comportent aucune position partagée.

Water Flow For 6 Function Diverter / Flujo de agua para Desviadores de 6 posiciones / Écoulement de l'eau pour les inverseurs à 6 positions



** Shared positions do not exist in non-shared cartridges.

** Los ajustes o posiciones compartidas no existen en los cartuchos no-compartidos.

** Comme leur nom l'indique, les cartouches sans position partagée ne comportent aucune position partagée.

Clean and Care

Care should be given to the cleaning of this product. Although its finish is extremely durable, it can be damaged by harsh abrasives or polish. To clean, simply wipe gently with a damp cloth and blot dry with a soft towel.

Maintenance

Faucet leaks from showerhead: SHUT OFF WATER SUPPLIES.

Replace valve cartridge
RP46463 or RP32104

See Helpful Hints 1, 2, 3 & 4.

Helpful Hints:

1. Before removing valve cartridge assembly for any maintenance, be sure to note the position of the rotational limit stop on the cap. The valve cartridge assembly must always be put back in the same position. **BE SAFE!** After you have finished the installation, turn on valve to make sure **COLD WATER FLOWS FIRST.**

2. To remove valve cartridge from body, shut off water supplies and remove handle and bonnet nut. Do not pry the valve cartridge out of the body with a screwdriver. Place handle on stem and rotate counterclockwise approximately 1/4 turn after the stop has been contacted. Lift valve cartridge out of body.

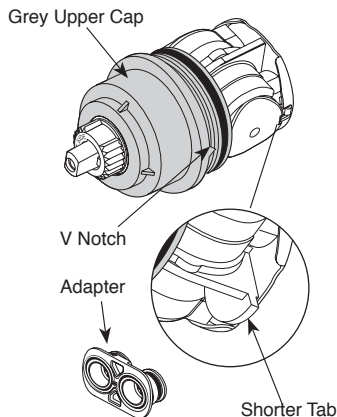
Remove seats and springs and replace.

Place the largest diameter of the spring into the seat pocket first and then press the tapered end of the seal over the spring. Reassemble valve cartridge and replace in body following instructions given in 1 above.

3. If the water in your area has lime, rust, sand or other contaminants in it, your pressure balance valve will require periodic inspection. The frequency of the inspection will depend on the amount of contaminants in the water. To inspect valve cartridge remove it and follow the steps in note 1 above. Turn the valve to the full mix position and shake the cartridge vigorously. If there is a rattling sound, the unit is functional and can be reinstalled following instructions given in note 1 above. If there is no rattle, replace the housing assembly with the proper RP.

Cartridge Summary Reference Sheet

T27



**Order RP46463 to
Replace Cartridge.**



Instrucciones para la instalación del Accesorio de la Válvula MultiChoice® con desviador

Manual para propietarios

T27859, T27867, T27897,
T27959, T27967 & T27997
Serie

82667

Escriba el número del modelo aquí.

Puede necesitar

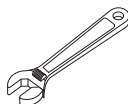
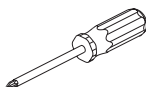


Tabla de contenido:

Garantía	Página 2
Instrucciones de instalación	Páginas 3 - 7
Limpieza y cuidado	Página 9
Mantenimiento	Página 9
Hoja de referencia para el Cartucho	Página 9
Piezas de repuesto para la serie Classic	Página 10-12
Para obtener piezas de repuesto adicionales, visite www.deltafaucet.com	

ESTA VALVULA cumple o excede las siguientes normas: ASME A112.18.1 / CSA B125.1 y ASSE 1016 (Tipo -P- o -T-).

ADVERTENCIA: Este sistema/dispositivo debe configurarse por el instalador para asegurar una temperatura máximo segura. Cualquier cambio en el ajuste puede aumentar la temperatura de salida por encima del límite considerado seguro y puede dar lugar a quemaduras por agua caliente.

AVISO PARA EL INSTALADOR; ¡ATENCIÓN! -Como el instalador de esta válvula, es su responsabilidad de **INSTALAR y AJUSTAR** correctamente esta válvula según las instrucciones proporcionadas. Esta válvula no se ajusta automáticamente a los cambios de temperatura de entrada, por lo tanto, alguien debe hacer los ajustes necesarios al Tope del Límite Rotacional en el momento de la instalación y ajustes adicionales pueden ser necesarios debido a cambios estacionales de la temperatura del agua. **USTED DEBE informar al propietario/usuario de este requisito siguiendo las instrucciones.** Si usted o el dueño/consumidor no está seguro de como hacer estos ajustes, **por favor consulte la página 7** y si aún tiene duda, llámenos al **1-800-345-DELTA**.

Después de la instalación y el ajuste, debe colocar su nombre, nombre de la empresa y la fecha en que ajustó la perilla de control de la temperatura a la etiqueta de precaución proporcionada y aplique o pegue la etiqueta en la parte trasera de la puerta del armario más cercano y la etiqueta de advertencia al calentador de agua.

Deje esta hoja de instrucciones para referencia del propietario /usuario.

ADVERTENCIA: Esta válvula termostática de baño está diseñada para minimizar los efectos de los cambios de temperatura del agua de salida debido a cambios de presión y temperatura, causados habitualmente por los lavaplatos, las lavadoras, los inodoros y otros aparatos similares. Puede no ofrecer protección contra las quemaduras por agua caliente cuando hay un fallo de otros dispositivos para el control de temperatura en otras partes del sistema de plomería, si el Tope del Límite Rotacional no está configurado correctamente o si se cambia la temperatura del agua caliente después de realizar los ajustes o si el agua admisión cambia debido a los cambios estacionales.

ADVERTENCIA: No instale un dispositivo de cierre en cualquiera de las tuberías de salida de agua de esta válvula. Cuando este tipo de dispositivo cierra el flujo del agua, pueda aminorar el propósito de la válvula para balancear las presiones del agua caliente y fría.

Garantía Limitada De Por Vida de la Llave y su Acabado

Piezas y Acabado

Todas las piezas (menos las piezas electrónicas y las pilas) y acabados de esta Llave de agua – grifo Delta® están garantizados al consumidor comprador original, de estar libres de defectos en materiales y mano de obra durante el tiempo que el comprador original sea dueño de la casa en la cual la llave de agua fue instalada por primera vez o, **para los usuarios comerciales, por cinco (5) años desde la fecha de compra.**

Piezas electrónicas y las baterías/pilas (si aplicable)

Las piezas electrónicas (excepto las baterías), sea el caso, de este grifo Delta® están garantizadas al consumidor comprador original, de estar libres de defectos en materiales y mano de obra durante 5 años desde la fecha de compra o, para los usuarios comerciales, durante un año desde la fecha de compra. La garantía no cubre las baterías.

Delta Faucet Company reparará o reemplazará, SIN COSTO ALGUNO, durante el período de garantía aplicable, cualquier pieza o acabado que presente defectos en materiales y/o mano de obra bajo instalación, uso y servicio normal. Si la reparación o sustitución no es práctica, Delta Faucet Company podrá optar reintegrarle el precio de la compra a cambio de la devolución del producto. **Estos son sus únicos recursos.**

Delta Faucet Company recomienda que use un plomero profesional para todas las instalaciones y reparación. También recomienda que utilice sólo piezas de repuesto Delta®.

Delta Faucet Company no será responsable de cualquier daño a la llave de agua/grifo resultante del uso indebido, abuso, negligencia o uso inapropiado o instalación realizada de forma incorrecta, mantenimiento o reparación, incluyendo el no seguir las instrucciones de cuidado y limpieza aplicables.

Las piezas de repuesto se pueden obtener llamando al número que figura más abajo o escribiendo a:

En los Estados Unidos y Mexico:

Delta Faucet Company
Product Service
55 E. 111th Street
Indianapolis, IN 46280
1-800-345-DELTA (3358)
customerservice@deltafaucet.com

En Canadá:

Masco Canada Limited, Plumbing Group
Technical Service Centre
350 South Edgeware Road
St. Thomas, Ontario, Canada N5P 4L1
1-800-345-DELTA (3358)
customerservice@mascocanada.com

La prueba de compra (recibo original de venta) del comprador original debe ponerse a la disposición de Delta Faucet Company para todos los reclamos de garantía a menos que el comprador haya registrado el producto con Delta Faucet Company. Esta garantía se aplica solamente a las llaves de agua/grifos Delta® fabricadas después de 1 de enero de 1995 e instalados en los Estados Unidos de América, Canadá y México.

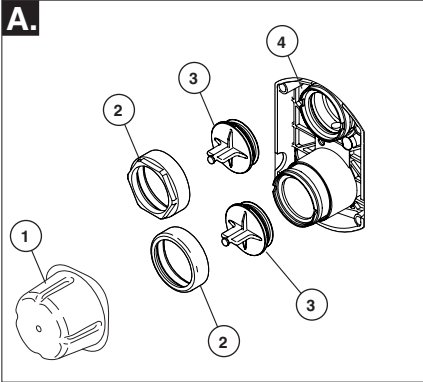
DELTA FAUCET COMPANY NO SERÁ RESPONSABLE POR DAÑOS ESPECIALES, INCIDENTALES O CONSECUENTES (INCLUYENDO CARGOS DE LABOR) YA SEAN RESULTANTES DEL INCUMPLIMIENTO DE CUALQUIER GARANTÍA EXPRESA O IMPLÍCITA DE LA LLAVE DE AGUA/GRIFO. Algunos estados/provincias no permiten la exclusión o limitación de daños especiales, incidentales o consecuentes, por lo que estas limitaciones y exclusiones pueden no aplicarle en su caso.

Esta garantía le otorga derechos legales especiales, y usted también puede tener otros derechos que varían de estado/provincia a estado/provincia.

Esta es la garantía exclusiva por escrito de Delta Faucet Company, y la garantía no es transferible.

Si usted tiene alguna pregunta o inquietud acerca de nuestra garantía, por favor vea nuestra sección de Preguntas Frecuentes sobre la garantía en www.deltafaucet.com.

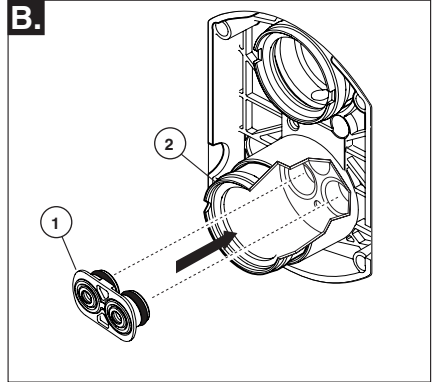
1 Instalación del cartucho



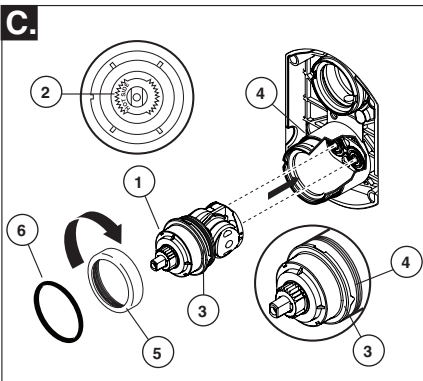
Cierre los suministros de agua. Quite la tapa (1), tuercas tapas (2) y las tapas de prueba (3) del cuerpo de la tubería preliminar detrás de la pared (4).

Coloque una cubeta o recipiente pequeño sobre el frente del cuerpo de la válvula y abra lentamente los suministros de agua para eliminar cualquier residuo de las líneas de suministro antes de instalar el cartucho.

Cierre otra vez el agua de suministro.



Introduzca el ensamble del adaptador (1) en el cuerpo de la tubería preliminar interna (2). Asegúrese de que el ensamble del adaptador está colocado correctamente y está presionado hasta el fondo dentro del cuerpo preliminar.

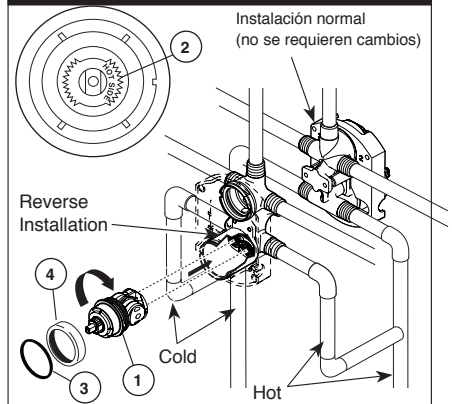


Gire el cartucho de la válvula (1) de forma que las palabras "HOT SIDE" estén en el lado izquierdo.

Inserte el cartucho en el cuerpo de la tubería preliminar. Asegúrese de que el dentado en el cuerpo está totalmente encajado en la muesca en el cuerpo de bronce (4). Introduzca la tuerca tapa (5) en el cartucho y enrosque en el cuerpo. Apriete bien, a mano y deslice la junta tórica (6) en el casquete y el cartucho.

La aplicación de una ligera capa de grasa de plomeros en las juntas tóricas puede facilitar el montaje.

Instalación de dorso con dorso.



Solo para las excepciones de dorso con dorso o instalaciones inversas (caliente en la derecha y fría en la izquierda):

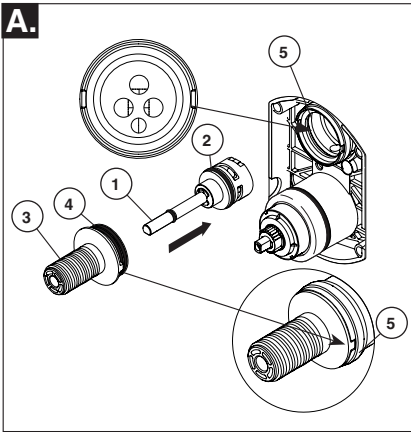
Gire el cartucho de la válvula (1) de forma que "HOT SIDE" aparezca en la derecha.

Aplique lubricante de silicona en las tres juntas tóricas mostradas arriba para facilitar la instalación del cartucho y quitar del cuerpo de la tubería preliminar.

Instale el cartucho asegurándose de que los dentados están totalmente encajados en la ranura en el cuerpo de la tubería preliminar (véase el paso C).

Deslice la junta tórica (3) y la tuerca tapa (4) sobre el cartucho y enrosque en el cuerpo de la tubería preliminar. Apriete con la mano de forma segura.

2 Instalación del cartucho de desvío

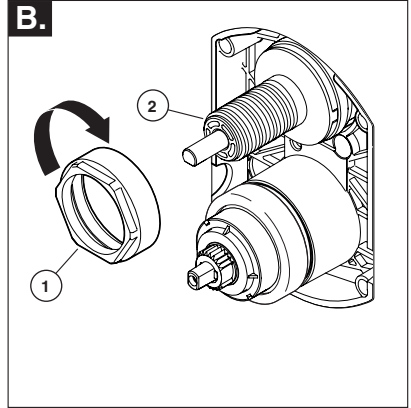


PARA LA INSTALACIÓN DEL CARTUCHO DE DESVÍO:

Aplique lubricante de silicona a la junta tórica (2) para facilitar la instalación del cartucho desviador con el casquillo desviador (3). La aplicación de una ligera capa de grasa de plomeros a las juntas tóricas (4) puede facilitar el montaje.

Gire el cartucho desviador (1) asegurando que el pasador de posicionamiento que está en la parte inferior del cartucho se alinee con el agujero correspondiente en el cuerpo de la tubería preliminar.

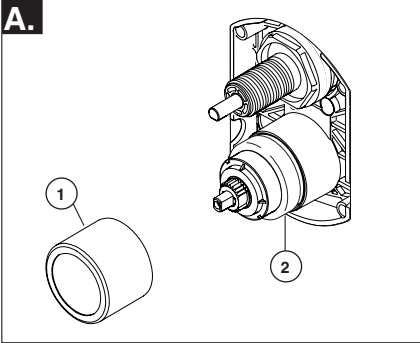
Deslice el casquillo desviador (3) sobre la espiga del cartucho alineando las lengüetas en el casquillo desviador con ranuras en el cuerpo de la tubería preliminar (5).



Para la instalación del casquete

Deslice la tuerca tapa (1) sobre el casquillo desviador (2) y enrosque en el cuerpo de la tubería preliminar. Apriete a mano de forma segura.

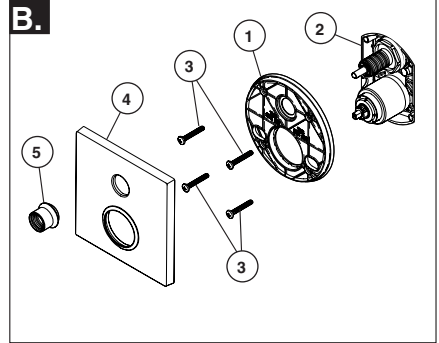
3 Instalación del accesorio



Instalación del casquillo del accesorio

Deslice el casquillo del accesorio (1) sobre el casquete (2), el cartucho y el cuerpo de la tubería preliminar.

Asegúrese que el casquillo está correctamente colocado sobre el frente del cartucho.



Instalación del chapetón

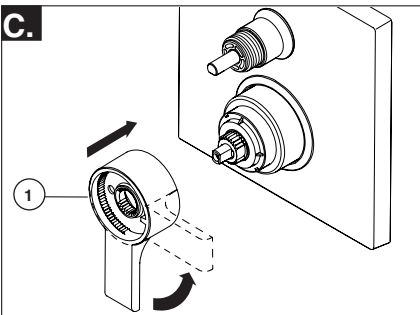
Para paredes acabadas de un grosor hasta 1 1/8". Fije la placa posterior (1) al cuerpo de la unidad de las tuberías preliminares (2) usando los 4 tornillos (3) proporcionados.

Nota: asegúrese que la placa trasera está colocada con el frente hacia adelante y con las marcas visibles.

Deslice el chapetón o chapa de cubierta (4) sobre el cartucho desviador, enrosque la tuerca del accesorio (5) proporcionada en el casquillo del desviador.

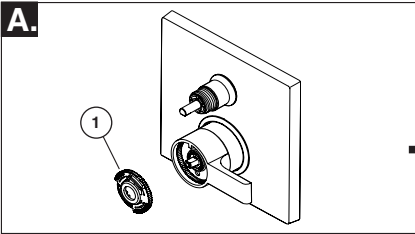
Nota: para instalaciones en paredes gruesas, ordene el juego de piezas RP90543 para sostener la pared acabada hasta de 2 1/8" de grosor.

En superficies rugosas o desiguales, es necesario aplicar masilla alrededor de la placa posterior (1) para complementar el sello. No calafatee el chapetón (4).

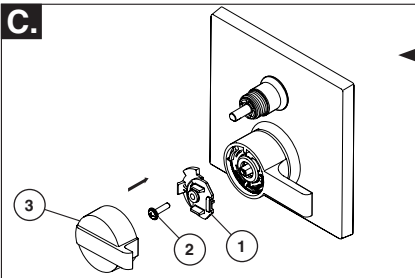


Instale la manija para el control de; volumen (1) con la palanca hacia abajo, luego gire a la posición abierta. **NO FIJE CON EL TORNILLO.**

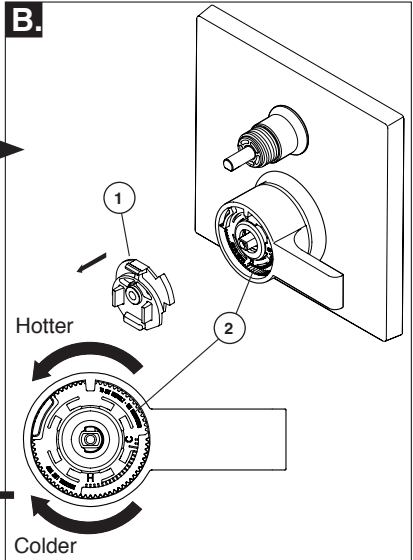
4 Instalación y ajuste del tope del límite rotacional



Coloque la perilla para el control de temperatura (1) en la palanca de volumen y gire a la posición mixta (si es necesario). **NO FIJE CON EL TORNILLO.** Abra los suministros de agua; deje que el agua fluya hasta que esté lo más caliente/fría posible. Coloque un termómetro en un vaso plástico, y sostenga el vaso bajo el chorro de agua. Registre la lectura de la temperatura.



Fije la perilla para el control de la temperatura (1) con el tornillo (2). Coloque la cubierta del control de temperatura a presión (3) con el lado que se enganche en la perilla (1).



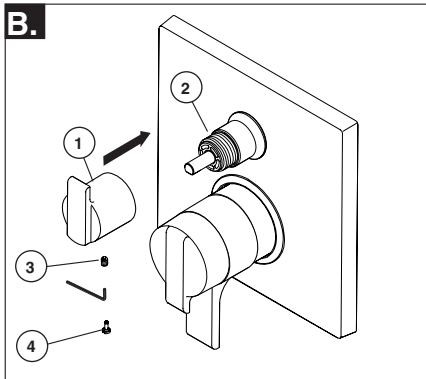
Si la temperatura del agua está por encima de 120° F, retire la perilla para el control de temperatura (1) y gire el tope (2) un diente hacia la derecha por cada 4° F - 6° F (aproximadamente) cambio en la temperatura. Si la temperatura del agua es más fría que lo deseada, gire el tope hacia la izquierda.

IMPORTANTE: La primera posición del Tope del Límite Rotacional (el limitador) es la posición que más restringe la rotación e la espiga y está en el ajuste máximo hacia la derecha. De acuerdo con los estándares de la industria, la temperatura máxima permisible del agua que sale de la válvula es 120° F. Esta temperatura puede variar en su área local.

El Tope del Límite Rotacional puede requerir reajuste si cambia la temperatura del agua de entrada. Por ejemplo, durante el invierno, la temperatura del agua fría es más fría de lo que es durante el verano que podría resultar en una variación de temperaturas de salida. La temperatura típica para un baño o una ducha confortable es entre 90o-110o F.

5 Existe la posibilidad de lesión por escaldadura o de choque térmico resultante de un flujo cruzado en el caso que la salida de la regadera/ducha está bloqueada o restringida (por ejemplo, pause el control de la cabeza de la regadera/ducha). Asegúrese de apuntar la regadera/ducha alejado de usted cuando vuelva a iniciar el flujo o instale las válvulas de retención de la entrada en ambas líneas de suministro para evitar posibles lesiones.

6 Instalación del desviador de la manija

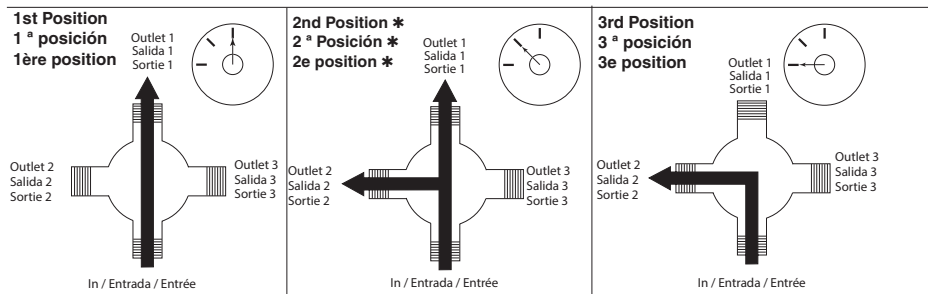


Instalación del desviador de la manija

Inserte la manija del desviador (1) sobre el casquillo del accesorio (2). Usando una llave allen, inserte el tornillo de fijación/ajuste (3) en la manija (1). Aplicando presión, inserte la tapa del tornillo de ajuste (4) hasta que esté bien asentada.

Hoja de referencia para la manija desviadora

Water Flow For 3 Function Diverter / Flujo de agua para Desviadores de 3 posiciones / Écoulement de l'eau pour les inverseurs à 3 positions

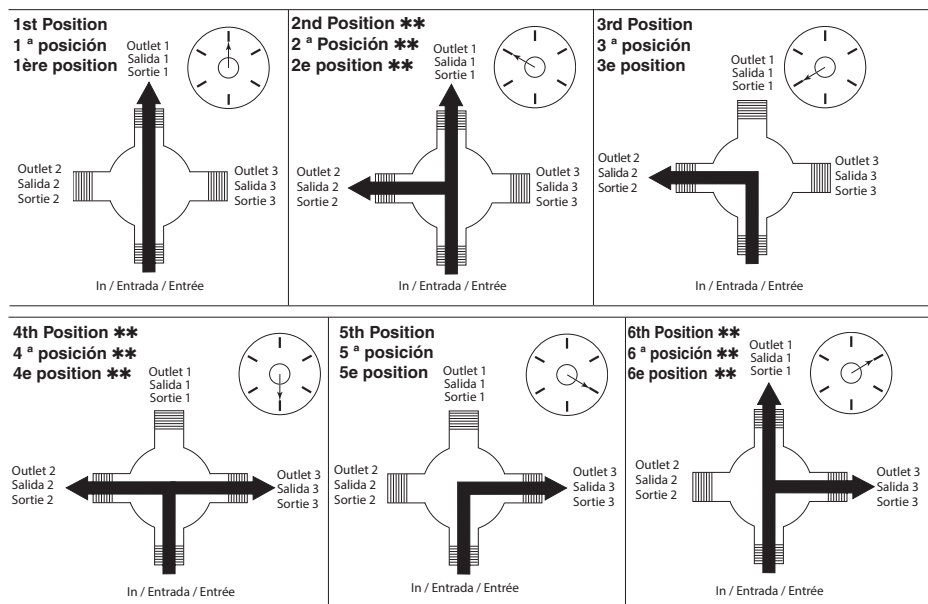


* Shared positions do not exist in non-shared cartridges.

* Los ajustes o posiciones compartidas no existen en los cartuchos no-compartidos.

* Comme leur nom l'indique, les cartouches sans position partagée ne comportent aucune position partagée.

Water Flow For 6 Function Diverter / Flujo de agua para Desviadores de 6 posiciones / Écoulement de l'eau pour les inverseurs à 6 positions



** Shared positions do not exist in non-shared cartridges.

** Los ajustes o posiciones compartidas no existen en los cartuchos no-compartidos.

** Comme leur nom l'indique, les cartouches sans position partagée ne comportent aucune position partagée.

Limpieza y Cuidado

Se debe tener cuidado con la limpieza de este producto. Aunque su acabado es extremadamente resistente, puede ser dañado por abrasivos o pulimentos ásperos. Para limpiar, simplemente frote con un paño húmedo y seque con una toalla suave.

Mantenimiento

Si hay filtración de agua desde la llave de agua/grifo de la regadera:

CIERRE LOS SUMINISTROS DE AGUA. Reemplace la válvula de cartucho o RP46463 RP32104
Vea Consejos útiles 1, 2, 3 y 4

Sugerencias útiles:

1. Antes de retirar el ensamble del cartucho de la válvula para cualquier tarea de mantenimiento, asegúrese de anotar la posición del tope de rotación en la tapa. El ensamble del cartucho de la válvula siempre debe ser puesto de nuevo en la misma posición. ¡CUIDESE! Después de que haya terminado la instalación, abra la válvula para asegurarse de que el agua FLUYE FRÍA PRIMERO.

2. Para extraer el cartucho de la válvula del cuerpo, cierre el suministro de agua y retire la manija y la tuerca tapa. No se debe quitar el cartucho de la válvula del cuerpo con un destornillador. Coloque la manija en la espiga y gire hacia la izquierda aproximadamente 1/4 de vuelta después que el tope tenga contacto. Levante el cartucho de la válvula del cuerpo.

Retire los asientos y resortes y reemplácelos.

Primero, coloque el diámetro mayor del resorte en el bolsillo del asiento y luego presione el extremo cónico de la junta sobre el resorte. Vuelva a ensamblar el cartucho de la válvula y colóquelo de nuevo en el cuerpo, siguiendo las instrucciones dadas en el punto 1.

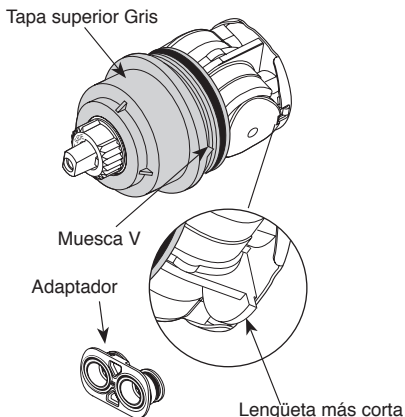
3. Si el agua en su área contiene cal, óxido, arena u otros contaminantes, su válvula de equilibrio de presión requerirá una inspección periódica.

La frecuencia de la inspección dependerá de la cantidad de contaminantes en el agua. Para inspeccionar el cartucho de la válvula y quitarla y siga los pasos indicados en la nota 1 anterior. Gire la válvula a la posición de mezcla completa y agite el cartucho con fuerza.

Si hay un sonido de traqueteo, la unidad es funcional y se puede volver a instalar siguiendo las instrucciones dadas en la nota 1 anterior. Si no hay traqueteo, reemplace el conjunto de la cubierta con la pieza de repuesto/RP adecuada.

Hoja de resumen de referencia para el cartucho

T27



Ordene RP46463 para Reemplazar cartucho.



Instructions d'installation Soupape MultiChoice® avec inverseur

Manuel d'utilisation

T27859, T27867, T27897,
T27959, T27967 & T27997
Series

82667

Inscrivez le numéro du modèle acheté
ici.

Ce dont vous pouvez avoir besoin

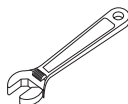
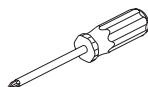


Table des matières:

Garanties	Page 2
Instructions d'installation	Pages 3 - 7
Nettoyage et entretien	Page 9
Maintenance	Page 9
Fiche de référence sommaire de la cartouche	Page 9
Pièces de rechange de la série Classic	Page 10-12

Pour obtenir de l'information sur d'autres pièces de rechange, visitez : www.deltafaucet.com

CETTE SOUPAPE RESPECTE OU SURPASSE LES NORMES SUIVANTES : ASME A112.18.1/ CSA B125.1 et ASSE 1016 (Type -P- ou -T-).

ATTENTION: Ce système ou cet appareil doit être réglé par l'installateur pour que sa température maximale soit sans danger. Tout changement du réglage peut entraîner une hausse de température au delà de la limite considérée sécuritaire et occasionner l'ébullition.

AVIS À L'INSTALLATEUR: ATTENTION! - En qualité d'installateur de cette soupape, vous avez la responsabilité de L'INSTALLER et de la RÉGLER correctement selon les instructions fournies. Cette soupape ne s'adapte pas automatiquement aux fluctuations de la température de l'eau d'alimentation. Par conséquent, il faut régler la butée de température maximale au moment de l'installation et il peut être nécessaire de faire de nouveaux réglages par la suite en raison des fluctuations saisonnières de la température de l'eau. **VOUS DEVEZ informer le propriétaire ou l'utilisateur de cette exigence.** En cas de doute quant à la marche à suivre pour faire ces réglages, **veuillez consulter la page 7.** Si vous avez encore des doutes, veuillez appeler au 1-800-345-DELTA.

Après avoir terminé l'installation et le réglage, vous devez inscrire, sur l'étiquette de mise en garde fournie, votre nom, le nom de votre entreprise et la date à laquelle vous avez réglé la butée de température maximale, puis fixer l'étiquette à l'endos de la porte de la coiffeuse. Vous devez également fixer l'étiquette d'avertissement au chauffe-eau.

Veuillez laisser ce feuillet d'instructions au propriétaire ou à l'utilisateur pour qu'il puisse le consulter au besoin.

MISE EN GARDE – Ce robinet thermostatique à équilibrage de pression pour baignoire est conçu pour limiter les effets des fluctuations de température de l'eau causées par les variations de la pression d'alimentation attribuables au fonctionnement d'un lave-vaisselle, d'une machine à laver, d'un cabinet d'aisances ou d'un autre appareil qui consomme de l'eau. Il peut ne pas protéger l'utilisateur contre l'échaudage en cas de défectuosité d'un autre dispositif de régulation de la température, de réglage erroné de la butée de température maximale, de modification de la température de l'eau chaude après le réglage de la butée de température maximale ou de fluctuation saisonnière de la température de l'eau d'alimentation.

MISE EN GARDE – N'installez pas de dispositif d'arrêt sur une sortie quelconque de cette soupape. En interrompant l'écoulement de l'eau, ce dispositif peut empêcher la soupape d'équilibrer les pressions d'eau chaude et d'eau froide.

Garantie à vie sur le robinet et garantie limitée sur le fini

Pièces et finis

Toutes les pièces (à l'exception des composants électroniques et des piles) et tous les finis de ce robinet Delta® sont protégés contre les défauts du matériau et les vices de fabrication par une garantie qui est consentie au premier acheteur et qui demeure valide tant que celui-ci demeure propriétaire de la maison dans laquelle le robinet a été installé. Dans le cas d'une utilisation commerciale, la garantie est de **5 ans à compter de la date d'achat**.

Composants électroniques et piles (le cas échéant)

Si ce robinet Delta® comporte des composants électroniques, ces composants (à l'exception des piles) sont protégés contre les défauts du matériau et les vices de fabrication par une garantie consentie au premier acheteur qui est d'une durée de 5 ans à compter de la date d'achat. Dans le cas d'une utilisation commerciale, la garantie est d'un an à compter de la date d'achat. Aucune garantie ne couvre les piles.

Delta Faucet Company remplacera, GRATUITEMENT, pendant la période de garantie applicable, toute pièce ou tout fini qui présentera une déficience du matériau et/ou un vice de fabrication pour autant que le robinet ait été installé, utilisé et entretenu normalement. S'il est impossible de réparer ou de remplacer le robinet, Delta Faucet Company pourra décider de rembourser le prix d'achat du produit pour autant que celui-ci lui soit retourné. **Il s'agit de vos seuls recours.**

Delta Faucet Company recommande de confier l'installation et la réparation à un plombier professionnel. Nous vous recommandons également d'utiliser uniquement des pièces de rechange authentiques Delta®.

Delta Faucet Company se dégage de toute responsabilité à l'égard des dommages causés au robinet en raison d'un mauvais usage, d'un usage abusif, de la négligence ou de l'utilisation d'une méthode d'installation, de maintenance ou de réparation incorrecte ou inadéquate, y compris les dommages résultant du non-respect des instructions de nettoyage et d'entretien applicables.

Pour obtenir des pièces de rechange, veuillez appeler au numéro applicable ci-dessous ou écrire à l'adresse applicable ci-dessous:

Aux États-Unis et au Mexique:

Delta Faucet Company
Product Service
55 E. 111th Street
Indianapolis, IN 46280
1-800-345-DELTA (3358)
customerservice@deltafaucet.com

Au Canada:

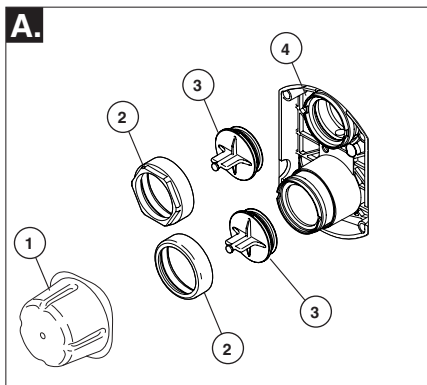
Masco Canada Limited, Groupe plomberie
Centre de services techniques
350 South Edgeware Road
St. Thomas, Ontario, Canada N5P 4L1
1-800-345-DELTA (3358)
customerservice@mascocanada.com

La preuve d'achat (reçu original) du premier acheteur doit être présentée à Delta Faucet Company pour toutes les demandes en vertu de la garantie, sauf si le produit a été enregistré auprès de Delta Faucet Company. La présente garantie s'applique uniquement aux robinets Delta ® fabriqués après le 1er janvier 1995 et installés aux États-Unis d'Amérique, au Canada et au Mexique.

DELTA FAUCET COMPANY SE DÉGAGE DE TOUTE RESPONSABILITÉ À L'ÉGARD DES DOMMAGES PARTICULIERS, CONSÉCUTIFS OU INDIRECTS (Y COMPRIS LES FRAIS DE MAIN-D'OEUVRE) QUI POURRAIENT RÉSULTER DE LA VIOLATION D'UNE GARANTIE IMPLICITE OU EXPLICITE QUELCONQUE SUR LE ROBINET. Dans les États ou les provinces où il est interdit de limiter ou d'exclure la responsabilité à l'égard des dommages particuliers, consécutifs ou indirects, les limites et les exclusions susmentionnées ne s'appliquent pas. La présente garantie vous donne des droits précis qui peuvent varier selon l'État ou la province où vous résidez.

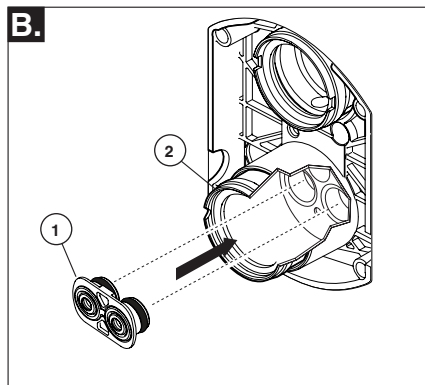
La présente garantie écrite est la garantie exclusive offerte par Delta Faucet Company et elle n'est pas transférable. Si vous avez des questions ou des préoccupations en ce qui concerne notre garantie, veuillez consulter la page Warranty FAQs à www.deltafaucet.com, faire parvenir un courriel à customerservice@deltafaucet.com ou nous appeler au numéro applicable.

1 Installation de la cartouche

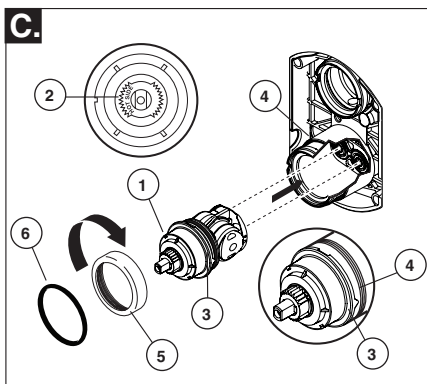


Fermez les robinets d'alimentation. Retirez le capuchon (1), les écrous-chapeaux (2) et les capuchons d'essai (3) du corps de robinetterie brute (4).

Placez un seau ou un petit contenant sur l'avant du corps de soupape et ouvrez lentement les robinets d'arrêt pour évacuer les corps étrangers de la tuyauterie avant d'installer la cartouche. Fermez de nouveau les robinets d'arrêt.

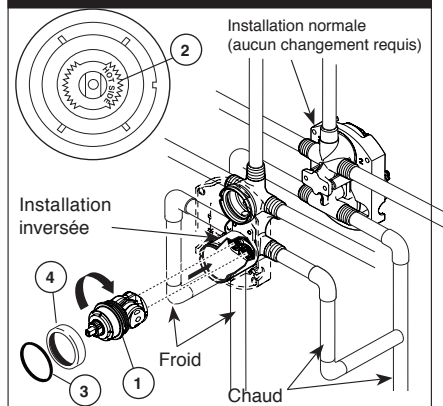


Introduisez l'adaptateur (1) dans le corps de robinetterie brute (2). Assurez-vous que l'adaptateur est positionné correctement et bien calé dans le corps de robinet brut.



Tournez la cartouche (1) de sorte que la mention « HOT SIDE » (2) se trouve du côté gauche. Introduisez la cartouche dans le corps de robinetterie brute. Assurez-vous que l'ergot (3) sur la cartouche est parfaitement engagé dans la rainure du corps en laiton (4). Insérez l'écrou-chapeau (5) sur la cartouche et vissez-le sur le corps. Serrez-le à la main solidement, glissez le joint torique (6) sur l'écrou-chapeau et la cartouche. Vous pouvez enduire les joints toriques d'un peu de graisse de plomberie pour faciliter l'assemblage.

Installation dos à dos

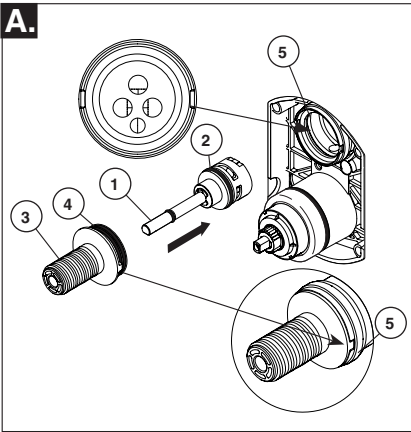


Dans le cas d'une installation dos à dos (eau chaude à droite et eau froide à gauche) seulement : tournez la cartouche (1) de sorte que la mention « HOT SIDE » se trouve du côté droit.

Ajoutez du lubrifiant à base de silicone aux trois joints toriques montrés ci-dessus pour faciliter la pose de la cartouche dans le corps de robinetterie brute et sa dépose. Installez la cartouche en prenant soin d'introduire les ergots entièrement dans les rainures du corps de robinetterie brute (reportez-vous à l'étape C).

Glissez le joint torique (3) et l'écrou-chapeau (4) sur la cartouche et vissez-le sur le corps de robinet brut. Serrez-le à la main solidement.

2 Installation de la cartouche de l'inverseur

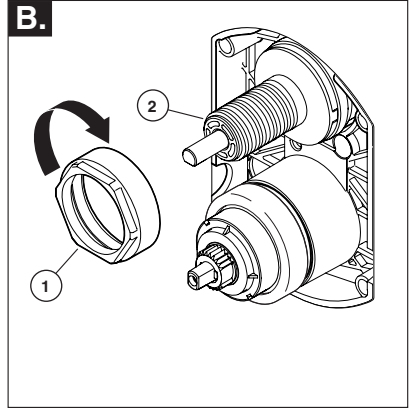


INSTALLATION DE LA CARTOUCHE DE L'INVERSEUR

Ajoutez du lubrifiant à base de silicone au joint torique (2) pour faciliter la pose du manchon de l'inverseur (3) et la cartouche de l'inverseur. Vous pouvez enduire les joints toriques (4) d'un peu de graisse de plomberie pour faciliter l'assemblage.

Installez la cartouche d'inverseur (1) en prenant soin de faire correspondre l'ergot de détrompage au bas de la cartouche avec le trou dans le corps de robinet brut.

Glissez le manchon de l'inverseur (3) sur la tige de la cartouche en faisant correspondre les pattes du manchon de l'inverseur avec les rainures dans le corps de robinetterie brute (5).

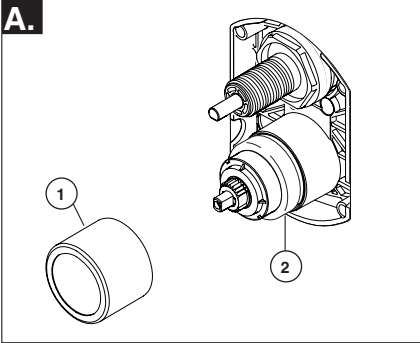


Installation du chapeau

Glissez l'écrou-chapeau (1) sur le manchon de l'inverseur (2) et vissez-le sur le corps de robinetterie brute.

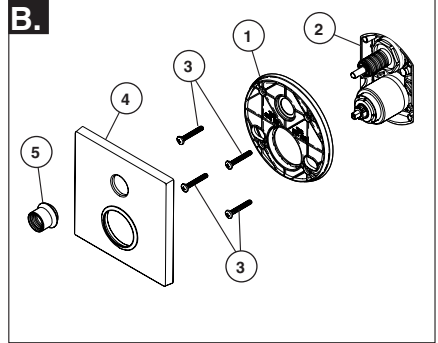
Serrez-le à la main solidement.

3 Installation de la pièce de finition



Installation du manchon de finition

Glissez le manchon de finition (1) sur le chapeau (2), la cartouche et le corps de robinetterie brute. Assurez-vous que le manchon est bien positionné sur l'avant de la cartouche.



Installation de la plaque de finition

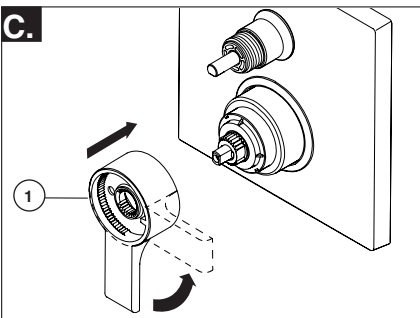
Installation dans un mur fini d'une épaisseur maximale de 1 1/8 po. Fixez la plaque arrière (1) au corps de robinetterie brute (2) au moyen des quatre vis (3) fournies.

Note : Assurez-vous que la face avant de la plaque arrière est orientée vers l'avant et que les repères sont visibles.

Glissez la plaque de finition (4) sur la cartouche de l'inverseur, puis vissez l'écrou de finition (5) fourni sur le manchon de l'inverseur.

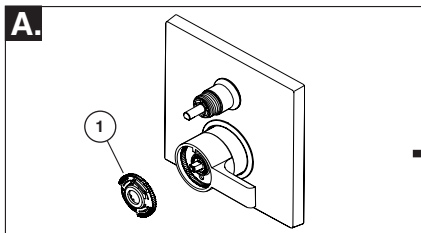
Note : Si vous faites l'installation dans un mur épais, commandez la trousse d'installation RP90543 pour un mur fini d'une épaisseur maximale de 2 1/8 po.

Sur les surfaces raboteuses ou inégales, vous devez appliquer du composé d'étanchéité autour de la plaque arrière (1) pour épaissir le joint. N'appliquez pas de composé d'étanchéité dans l'encoche d'égouttement au bas de la plaque arrière (1) ni autour de la plaque de finition (4).

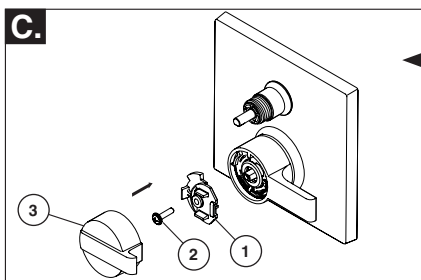


Installez la manette de réglage de débit (1) de manière qu'elle pointe vers le bas, puis placez-la en position d'ouverture. NE LA FIXEZ PAS AVEC UNE VIS.

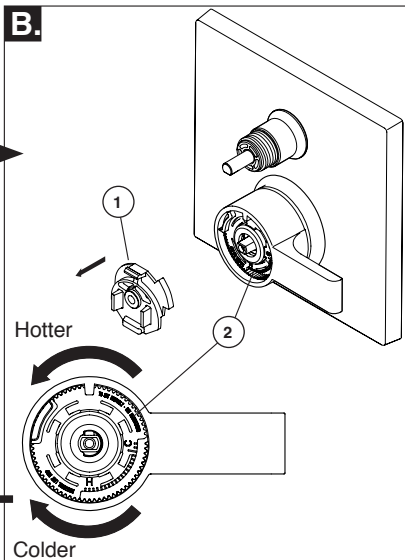
4 Installation et réglage de la butée de température maximale



Placez le bouton de réglage de température (1) sur la manette de réglage de débit et tournez-le jusqu'à la position de mélange (au besoin). **NE LE FIXEZ PAS AVEC LA VIS.** Rétablissez l'alimentation en eau. Laissez couler l'eau jusqu'à ce que l'eau froide soit aussi froide que possible et que l'eau chaude soit aussi chaude que possible. Mettez un thermomètre dans un gobelet en plastique, puis placez le gobelet sous le jet d'eau et attendez un peu. Notez la température de l'eau.



Fixez le bouton de réglage de température (1) avec la vis (2) et, en poussant fermement sur celui-ci, caliez le couvercle (3) sur le bouton (1).



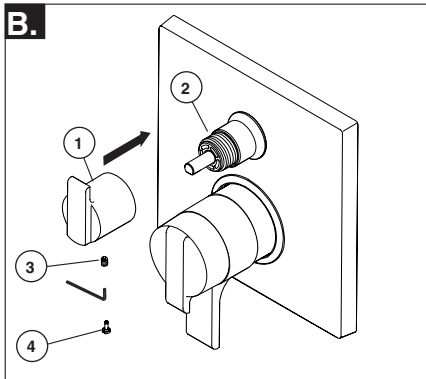
Si la température de l'eau est supérieure à 120 °F, retirez le bouton de réglage de température (1) et tournez la butée de température maximale (2) dans le sens horaire. La variation de température est d'environ 4 à 6 °F par cran. Si l'eau n'est plus assez chaude, tournez la butée de température maximale dans le sens antihoraire.

IMPORTANT: La première position de la butée de température maximale est celle qui limite le plus la rotation de la tige; elle se trouve à l'extrémité de la plage dans le sens horaire. Selon les normes de l'industrie, la température maximale de l'eau à la sortie de la soupape ne doit pas dépasser 120 °F. La température peut varier selon la région.

Le réglage de la butée de température maximale peut être modifié si la température de l'eau d'alimentation a changé. À titre d'exemple, la température de l'eau froide est plus basse en hiver, ce qui influence la température de l'eau à la sortie de la soupape. La température idéale de l'eau pour un bain ou une douche se situe entre 90 et 110 °F.

5 Possibilité d'ébullition ou de choc thermique pouvant causer des lésions en raison d'une inversion de la circulation de l'eau si la sortie de la douche est bloquée ou limitée (p. ex. : circulation bloquée par la commande d'arrêt sur la pomme de douche). Avant d'ouvrir le robinet, déplacez la pomme de douche pour ne pas vous faire arroser. Vous pouvez également installer des clapets de non-retour sur les deux tuyaux d'alimentation en eau pour éliminer les risques de blessures.

6 Installation de la manette de l'inverseur

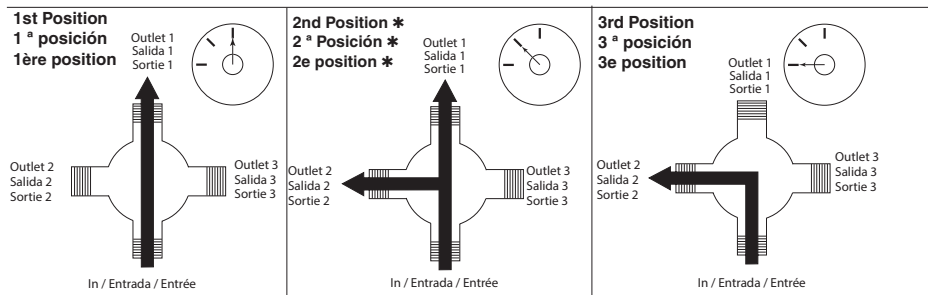


Installation de la manette de l'inverseur

Glissez la manette de l'inverseur (1) sur le manchon de finition (2). Au moyen d'une clé Allen, insérez la vis de calage (3) dans la manette (1). En exerçant une pression, insérez le capuchon de la vis de calage (4) jusqu'à ce qu'il soit bien calé.

Fiche de référence de la manette de l'inverseur

Water Flow For 3 Function Diverter / Flujo de agua para Desviadores de 3 posiciones / Écoulement de l'eau pour les inverseurs à 3 positions

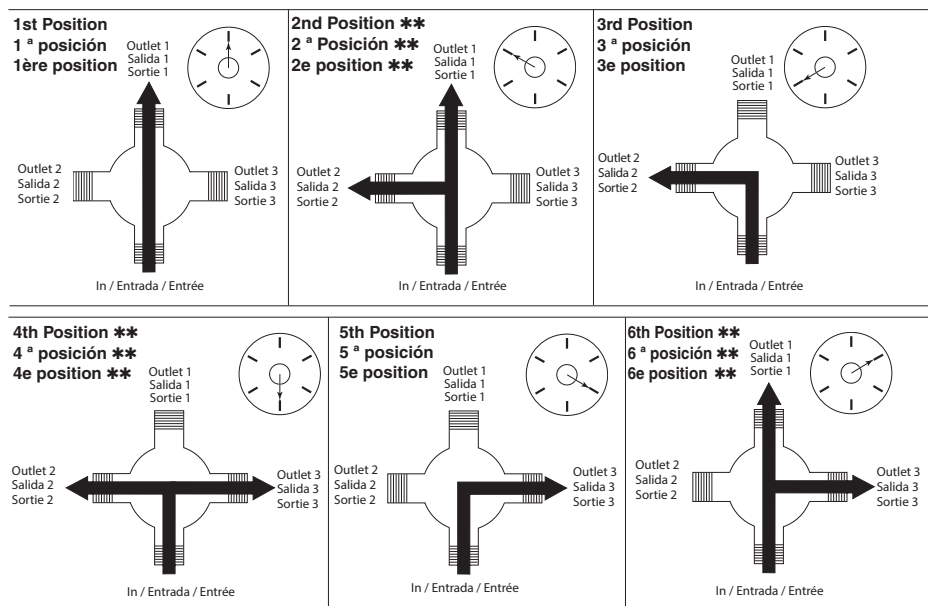


* Shared positions do not exist in non-shared cartridges.

* Los ajustes o posiciones compartidas no existen en los cartuchos no-compartidos.

* Comme leur nom l'indique, les cartouches sans position partagée ne comportent aucune position partagée.

Water Flow For 6 Function Diverter / Flujo de agua para Desviadores de 6 posiciones / Écoulement de l'eau pour les inverseurs à 6 positions



** Shared positions do not exist in non-shared cartridges.

** Los ajustes o posiciones compartidas no existen en los cartuchos no-compartidos.

** Comme leur nom l'indique, les cartouches sans position partagée ne comportent aucune position partagée.

Nettoyage et entretien

Ce produit doit être nettoyé avec soin. Bien que le fini soit extrêmement durable, il peut être abîmé par des agents de polissage puissants ou des nettoyants fortement abrasifs. Pour le nettoyer, il suffit de le frotter doucement avec un chiffon humide, puis de l'éponger avec une serviette douce.

Maintenance

Fuite du robinet par la pomme de douche:

FERMEZ LES ROBINETS D'ALIMENTATION.

Remplacez la cartouche de soupape RP46463 ou RP32104

Reportez-vous aux conseils utiles 1, 2, 3 et 4.

Conseils utiles:

1. Avant d'enlever la cartouche de la soupape aux fins d'entretien, prenez note de la position de la butée de température maximale sur le chapeau. La cartouche de la soupape doit toujours être replacée au même endroit. **PENSEZ SÉCURITÉ!** Après avoir terminé l'installation, ouvrez la soupape pour vous assurer que de L'EAU FROIDE S'ÉCOULE EN PREMIER.

2. Pour retirer la cartouche du corps, fermez les robinets d'alimentation et enlevez la manette ainsi que l'écrou-chapeau. Ne tentez pas d'extraire la cartouche en faisant levier avec un tournevis. Placez la manette sur la tige et tournez-la d'environ $\frac{1}{4}$ de tour dans le sens inverse à celui des aiguilles d'une montre après avoir atteint la butée. Soulevez la cartouche pour la retirer du corps.

Enlevez les sièges et les ressorts et remplacez-les.

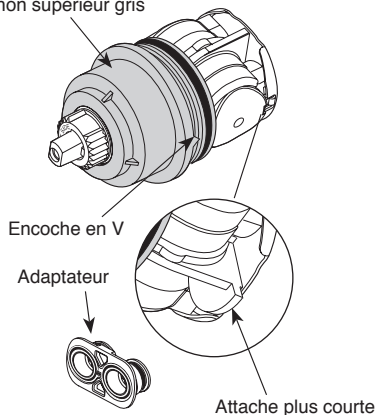
Placez la partie du ressort au diamètre le plus large dans la poche du siège, puis pressez l'extrémité conique de la garniture d'étanchéité sur le ressort. Réassemblez la cartouche de la soupape et remplacez-la dans le corps en suivant les instructions données dans la partie 1.

3. Si l'eau de votre région contient du calcaire, de la rouille, du sable ou d'autres contaminants, la soupape d'équilibrage de la pression doit être inspectée périodiquement. La fréquence de l'inspection dépendra du taux de contaminants dans l'eau. Pour inspecter la cartouche de la soupape, retirez-la et suivez les étapes mentionnées dans la Note 1 ci-dessus. Tournez la soupape en position de mélange complet et secouez vigoureusement la cartouche. Si vous entendez un cliquetis, l'unité est fonctionnelle et peut être réinstallée en suivant les instructions indiquées dans la Note 1. Si vous n'entendez pas de cliquetis, remplacez le corps par la pièce de rechange appropriée.

Fiche de référence sommaire de la cartouche

T27

Capuchon supérieur gris



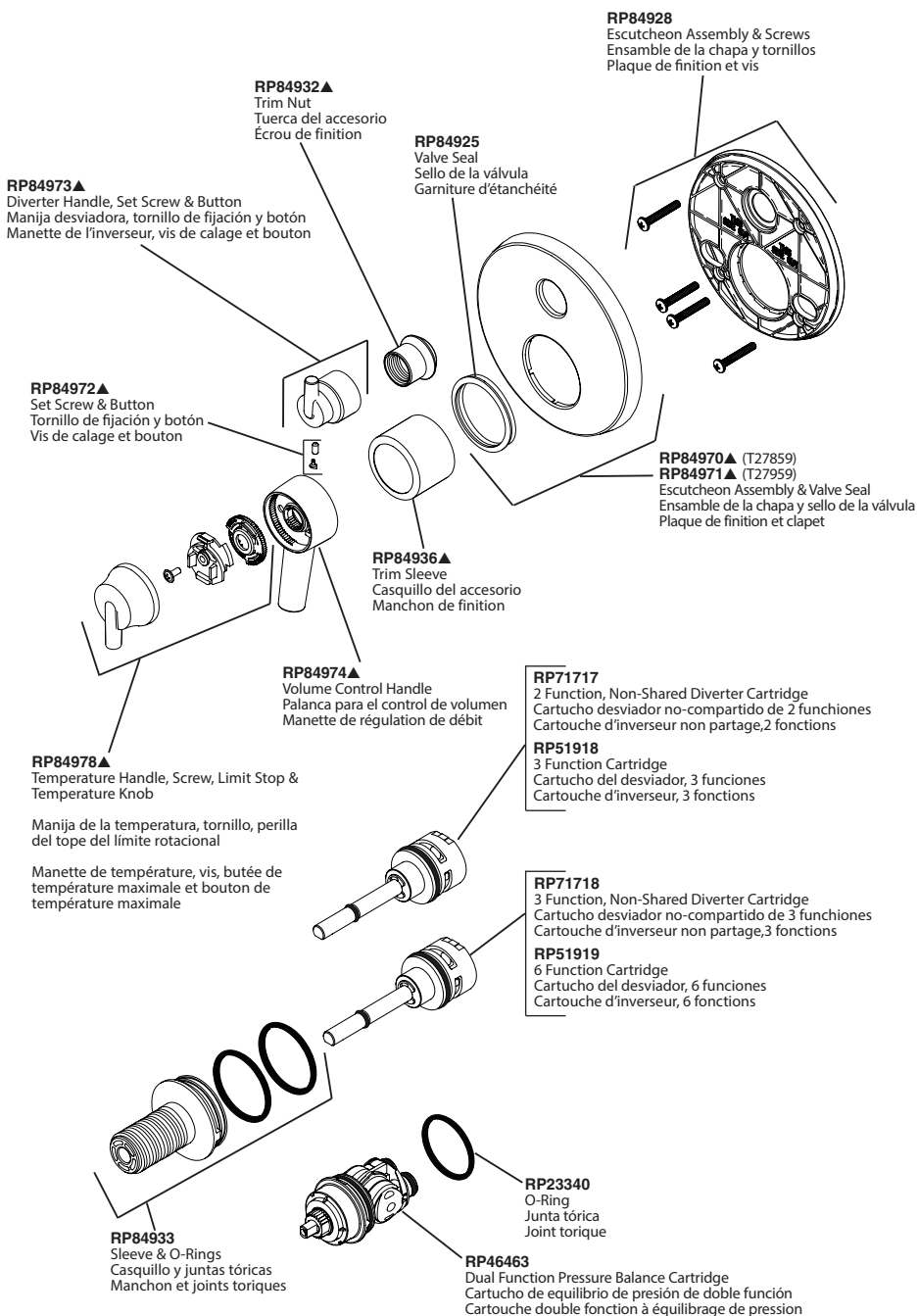
**Commandez le kit RP46463
pour remplacer la cartouche.**

For illustrative purposes, the replacement parts for the T27 Series Classic Collection are shown on the following page. For replacement parts on all other collections, please refer to the parts diagrams available on www.deltafaucet.com.

Para los fines ilustrativos, las piezas de repuesto para la Colección Clásica de la Serie T27 se muestran en la siguiente página. Para las piezas de repuesto sobre todas las demás colecciones, por favor refiérase a los diagramas de piezas disponibles en www.deltafaucet.com.

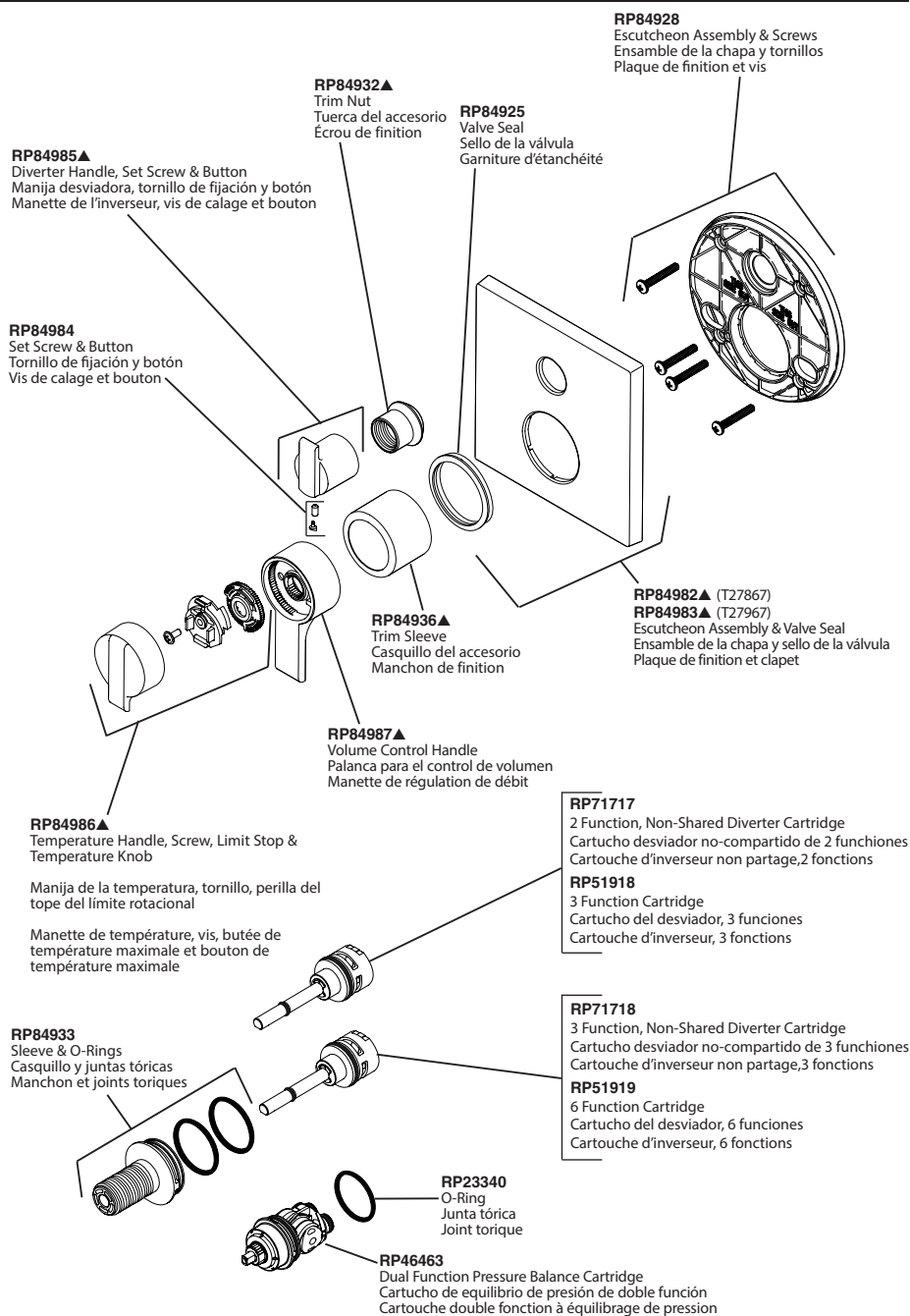
A des fins d'illustrations, les pièces de rechange de la Collection Série Classique T27 sont montrées sur la page suivante. Pour les pièces de rechange de toutes les autres collections, veuillez vous référer aux diagrammes des pièces sur www.deltafaucet.com.

T27859, T27959 Models / Modelos / Modèles



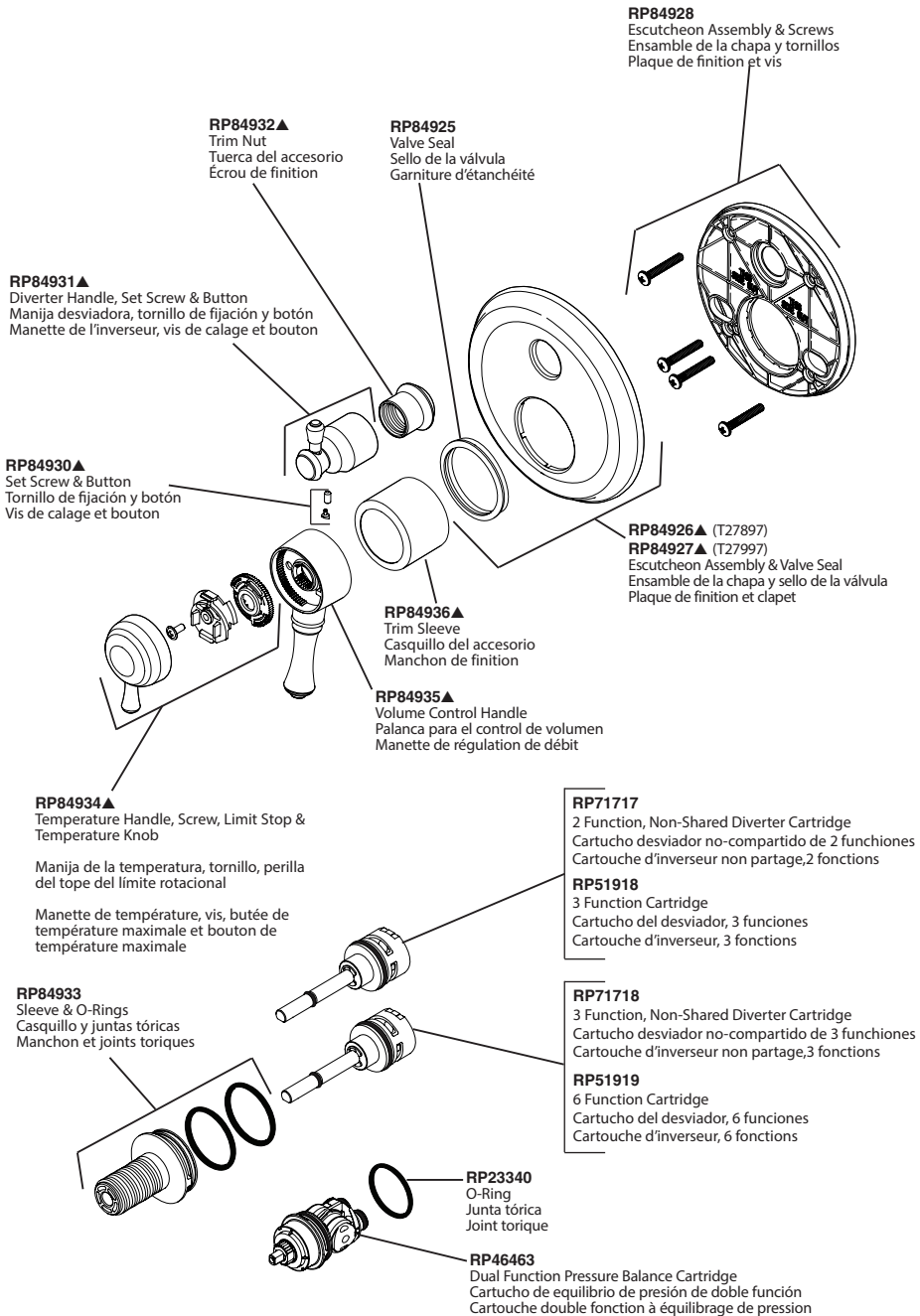
▲ Specify Finish/Especifique el Acabado/ Précisez le fini

T27867, T27967 Models / Modelos / Modèles



▲ Specify Finish/Especifique el Acabado/ Précisez le fini

T27897, T27997 Models / Modelos / Modèles



▲ Specify Finish/Especifique el Acabado/ Précisez le fini



Delta Faucet Company
Product Service
55 E. 111th Street
Indianapolis, IN 46280