



**IMPORTANT DOCUMENTS ENCLOSED**

**CAUTION:**

To reduce the risk of injury due to hot water burns, make sure the enclosed labels are applied where specified on the label.

---

**DOCUMENTOS IMPORTANTES INCLUIDOS**

**AVISO:**

Para reducir el riesgo de lesión por quemaduras de agua caliente , asegúrese que las etiquetas incluidas se han aplicado donde se ha especificado en la etiqueta.

---

**DOCUMENTS IMPORTANTS À L'INTÉRIEUR**

**MISE EN GARDE :**

Pour réduire le risque d'ébouillantage, veuillez apposer les étiquettes fournies aux endroits indiqués sur celles-ci.

**NOTICE TO INSTALLER: Place this label on the water heater next to the temperature adjustment knob.**

**WARNING:**

These series of tub/shower valves do not adjust automatically for changes in temperature at the hot water heater or inlet. If the temperature setting of the hot water heater or inlet is changed, the setting on these valves **must be adjusted manually!** Failure to re-adjust the valve may result in hot water burns or extreme cold resulting from variations in line pressure (such as when a dishwasher or washing machine is in use while you are taking a shower). After installation, verify that the rotational limit stop (13/14/17 series) or temperature knob (17T series) on the valve is set so that changes in line pressure or temperature do not result in uncomfortable water temperature changes. **If the temperature setting of the hot water heater or inlet is changed after installation of the valve, the setting of the rotational limit stop or temperature knob also must be changed!** Consult the installation instruction sheet for instructions on how to make this setting, or call us at 1-800-345-DELTA.

**AVISO AL INSTALADOR:** Coloque esta etiqueta en el calentador de agua al lado de la perilla para el ajuste de temperatura.

**AVISO:**

Esta serie de válvulas para bañeras/regaderas no se ajustan automáticamente a los cambios de temperatura en el calentador de agua o en el agua de entrada. Si el ajuste de la temperatura del calentador de agua o la temperatura del agua que entra cambia ¡El ajuste de estas válvulas se debe hacer manualmente! El no reajustar la válvula puede resultar en quemaduras por agua caliente o temperaturas de agua extremadamente frías resultando en variaciones de presión y temperatura (como cuando el fregador de platos o la lavadora están funcionando mientras que se baña). Después de la instalación, verifique que el control o tope del límite rotacional (series 13/14/17) o la perilla del control de temperatura (series 17T) en la válvula está ajustada para que los cambios de presión y de temperatura en la línea no resulten en cambios incómodos de temperatura del agua. **Si el ajuste de la temperatura del calentador de agua o de la entrada de agua se cambia después de la instalación de la válvula, el ajuste del tope del límite rotacional o la perilla de ajuste ¡también se debe cambiar!** Consulte con su hoja de instrucciones de instalación para saber como se ajusta o cambia el ajuste, o llámenos al 1-800-345-DELTA.

**AVIS À L'INSTALLATEUR:** Fixez cette étiquette sur le chauffe-eau près du bouton de réglage de température.

**ATTENTION:**

La soupape de robinet de baignoire ou de douche de cette série ne se règle pas automatiquement en fonction des changements de température de l'eau chaude au chauffe-eau ou de l'eau d'alimentation. En cas de modification du réglage de température du chauffe-eau ou de la température de l'eau d'alimentation, le réglage de cette soupape doit être modifié manuellement! Si le réglage de la soupape n'est pas modifié, le robinet pourra permettre l'écoulement d'eau très chaude susceptible de causer l'ébouillantage ou d'eau très froide, sous l'effet des variations de pression et de température dans la tuyauterie d'alimentation (lorsque la douche est utilisée en même temps que le lave-vaisselle ou la machine à laver, par exemple). Après l'installation, assurez-vous que la butée de température maximale (séries 13/14/17) ou le bouton de température (séries 17T) sur la soupape est réglé de manière que les fluctuations de pression et de température dans la tuyauterie d'alimentation n'entraînent pas de changements de température de l'eau inconfortables. **En cas de modification du réglage de température du chauffe-eau ou de la température de l'eau d'alimentation après l'installation de la soupape, le réglage de la butée de température maximale ou du bouton de température doit être modifié!** Pour régler le bouton de température, consultez la feuille d'instructions d'installation ou appelez-nous au 1-800-345-DELTA.

**NOTICE TO INSTALLER: Place this label close to the valve where the owner will see it, such as inside the door of a cabinet or vanity.**

**WARNING:**

Water temperature changes due to seasonal or other inlet variations, such as changing the setting on the hot water heater may require adjustment of the rotational limit stop (13/14/17 Series) or temperature knob (17T Series) on your tub/shower valve to ensure a safe maximum temperature. These valve series do not automatically adjust for inlet temperature changes. If changes occur and you are not sure how to make the necessary rotational limit stop or temperature knob adjustments, please consult the installation instruction sheet provided with this valve or call 1-800-345-DELTA. These valve series are designed to minimize the effects of outlet water temperature changes due to inlet pressure changes, commonly caused by dishwashers, washing machines, toilets and the like. **They may not provide protection from hot water burns when there is a failure of other temperature controlling devices elsewhere in the plumbing system.** After making the necessary adjustments please fill in the information below. This valve/system has been set by the person listed below to ensure a safe maximum temperature. Any change in the setting may raise the discharge temperature above the limit considered safe and could lead to hot water burns. If this label has not been completed, you should verify that the rotational limit stop or temperature knob has been properly adjusted to suit your individual installation. The installation instruction sheet supplied with the valve provides information on how to make this setting.

**AVISO AL INSTALADOR:** Coloque esta etiqueta cerca de la válvula donde el propietario la pueda ver, tal como dentro de la puerta del gabinete o el tocador.

**AVISO:**

Los cambios de temperatura del agua por variaciones estacionales u otras variaciones en el agua de entrada, como el cambio por el ajuste en el calentador de agua, puede requerir el ajuste del tope del límite rotacional (Series 13/14/17) o ajuste de la perilla para el control de la temperatura (Series 17T) de la válvula de su unidad bañera/regadera para asegurar una temperatura máxima segura. Esta serie de válvulas no se ajusta automáticamente para los cambios de temperatura del agua de entrada. Si cambios ocurren y usted no está seguro como hacer los ajustes necesarios con la perilla para controlar la temperatura, por favor consulte la hoja de instrucciones de instalación proporcionada con esta válvula o llámenos al 1-800-345-DELTA. Las válvulas de esta serie están diseñadas para minimizar los efectos por cambios de temperatura en el agua de entrada por cambios en la presión del agua, comúnmente causados por el uso simultáneo de fregadoras de platos, lavadoras, inodoros y aparatos similares. **Estas pueden no proporcionar protección de quemaduras por el agua caliente cuando hay una falla de otros mecanismos que controlan la temperatura del agua en otro sitio del sistema de plomería.** Después de hacer los ajustes necesarios, por favor escriba la información suministrada a continuación. Esta válvula/sistema ha sido ajustada por la persona indicada a continuación para ayudar a asegurar una temperatura máxima segura. Cualquier cambio al ajuste puede aumentar la temperatura del agua de descarga sobre el límite considerado seguro y puede resultar en quemaduras por agua caliente. Si esta etiqueta no se ha llenado, debe verificar si el control o tope del límite rotacional o la perilla que controla la temperatura han sido correctamente ajustadas al gusto de su instalación individual. La hoja de instrucciones de instalación proporcionada con las válvulas le suministra información sobre como hacer este ajuste.

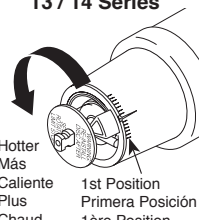
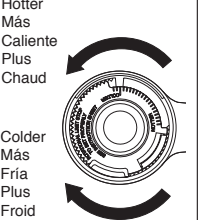
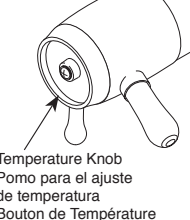
**AVIS À L'INSTALLATEUR:** Fixez cette étiquette près du robinet, à la vue à l'intérieur du propriétaire, de la porte du meuble ou de la coiffeuse, par exemple.

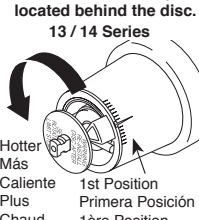
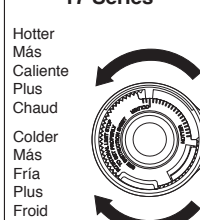
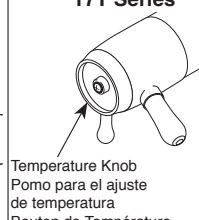
**ATTENTION:**

Les modifications de la température de l'eau attribuables au changement de saison ou à d'autres facteurs, comme la modification du réglage du chauffe-eau, peuvent nécessiter un réglage de la butée de température maximale (séries 13/14/17) ou du bouton de température (séries 17T) de la soupape de votre robinet pour baignoire et de douche. La soupape de robinet de ces séries ne se règle pas automatiquement en fonction des changements de température de l'eau chaude de l'eau d'alimentation. En cas de modification de la température de l'eau d'alimentation, si vous ne savez pas comment régler la butée de température maximale ou le bouton de température, veuillez consulter le feuillet d'instructions d'installation fourni avec la soupape ou appeler au 1-800-345-DELTA. La soupape de cette série est conçue pour limiter la variation de la température de l'eau pouvant résulter des fluctuations de température et de pression dans la tuyauterie d'alimentation. Ces fluctuations sont habituellement causées par une utilisation simultanée du lave-vaisselle, de la machine à laver, d'un cabinet d'aisances ou d'un autre appareil qui consomme de l'eau. **La soupape peut ne pas protéger l'utilisateur contre l'ébouillantage en cas de défectuosité d'un autre dispositif de régulation de la température de l'eau situé ailleurs dans la tuyauterie.** Après avoir effectué les réglages nécessaires, veuillez inscrire l'information requise ci-dessous. Cet appareil de robinetterie a été réglé par la personne dont le nom figure ci-dessous pour que la température maximale de l'eau soit sans danger. Toute modification du réglage peut occasionner une élévation de la température de l'eau à la sortie du robinet et l'eau qui s'écoulera pourra être suffisamment chaude pour causer l'ébouillantage. Si la présente étiquette n'a pas été remplie, assurez-vous que la butée de température maximale ou le bouton de température a bien été réglé en fonction des caractéristiques de votre installation. La marche à suivre pour faire le réglage figure dans les instructions d'installation fournies avec la soupape.

**TO BE FILLED OUT BY THE INSTALLER / PARA SER LLENADO POR EL INSTALADOR / A REMPLIR PAR L'INSTALLATEUR:**

BY/POR/PAR \_\_\_\_\_ COMPANY/COMPANIA/COMPAGNIE \_\_\_\_\_  
DATE/FECHA/LE \_\_\_\_\_ PHONE/TELÉFONO/TELÉPHONE \_\_\_\_\_

|  |   |   |
|--|---|---|
| <p><b>Rotational Limit Stop is located behind the disc.</b></p> <p><b>13 / 14 Series</b></p>  <p>Hotter<br/>Más<br/>Caliente<br/>Plus<br/>Chaud</p> <p>1st Position<br/>Primera Posición<br/>1ère Position</p> | <p><b>17 Series</b></p>  <p>Hotter<br/>Más<br/>Caliente<br/>Plus<br/>Chaud</p> <p>Colder<br/>Más<br/>Fría<br/>Plus<br/>Froid</p> | <p><b>17T Series</b></p>  <p>Temperature Knob<br/>Pomo para el ajuste de temperatura<br/>Bouton de Température</p> |
|--|---|---|

|   |  |   |
|---|--|---|
| <p><b>Rotational Limit Stop is located behind the disc.</b></p> <p><b>13 / 14 Series</b></p>  <p>Hotter<br/>Más<br/>Caliente<br/>Plus<br/>Chaud</p> <p>1st Position<br/>Primera Posición<br/>1ère Position</p> | <p><b>17 Series</b></p>  <p>Hotter<br/>Más<br/>Caliente<br/>Plus<br/>Chaud</p> <p>Colder<br/>Más<br/>Fría<br/>Plus<br/>Froid</p> | <p><b>17T Series</b></p>  <p>Temperature Knob<br/>Pomo para el ajuste de temperatura<br/>Bouton de Température</p> |
|---|--|---|





# MultiChoice® Valve Trim Installation Instructions

## Owners Manual

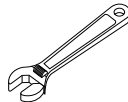
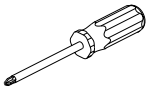
### 17 Series

68882

ASME A112.18.1 / CSA B125.1  
ASSE 1016 (Type -P- or -T-)

Write purchased model number here.

### You May Need



### Table of Contents:

|   |             |
|---|-------------|
| Warranties .....                        | Page 2      |
| Installation Instructions .....         | Pages 3 - 7 |
| Clean and care.....                     | Page 8      |
| Maintenance .....                       | Page 8      |
| Cartridge Summary Reference Sheet ..... | Page 8      |
| Classic Series Replacement Parts .....  | Page 10     |

**For additional replacement parts, visit [www.deltafaucet.com](http://www.deltafaucet.com)**

**THIS VALVE MEETS OR EXCEEDS THE FOLLOWING STANDARDS: ASME A112.18.1/ CSA B125.1 and ASSE 1016 (Type -P- or -T-).**

**CAUTION:** This system/device must be set by the installer to ensure safe, maximum temperature. Any change in the setting may raise the discharge temperature above the limit considered safe and may lead to hot water burns.

**NOTICE TO INSTALLER: CAUTION!**—As the installer of this valve, it is your responsibility to properly **INSTALL and ADJUST** this valve per the instructions given. This valve does not automatically adjust for inlet temperature changes, therefore, someone must make the necessary Rotational Limit Stop adjustments at the time of installation and further adjustments may be necessary due to seasonal water temperature change. **YOU MUST** inform the owner/user of this requirement by following the instructions. If you or the owner/user are unsure how to properly make these adjustments please refer to page 7 and if still uncertain, call us at 1-800-345-DELTA.

After installation and adjustment, you must affix your name, company name and the date you

adjusted the Rotational Limit Stop to the caution label provided and apply or attach the label to the back side of the closest cabinet door and the warning label to the water heater. **Leave this Instruction Sheet for the owner's/user's reference.**

**WARNING:** This pressure balanced or thermostatic bath valve is designed to minimize the effects of outlet water temperature changes due to inlet pressure changes, commonly caused by dishwashers, washing machines, toilets and the like. It may not provide protection from hot water burns when there is a failure of other temperature controlling devices elsewhere in the plumbing system, if the rotational limit stop is not properly set or if the hot water temperature is changed after the settings are made or if the water inlet changes due to seasonal changes.

**WARNING:** Do not install a shut-off device on either outlet of this valve. When this type of device shuts off the water flow, it can defeat the ability of the valve to balance the hot and cold water pressures.

## Lifetime Faucet and Finish Limited Warranty

### Parts and Finish

All parts (other than electronic parts and batteries) and finishes of this Delta® faucet are warranted to the original consumer purchaser to be free from defects in material and workmanship for as long as the original consumer purchaser owns the home in which the faucet was first installed or, for commercial users, for 5 years from the date of purchase.

### Electronic Parts and Batteries (if applicable)

Electronic parts (other than batteries), if any, of this Delta® faucet are warranted to the original consumer purchaser to be free from defects in material and workmanship for 5 years from the date of purchase or, for commercial users, for one year from the date of purchase. No warranty is provided on batteries.

Delta Faucet Company will replace, FREE OF CHARGE, during the applicable warranty period, any part or finish that proves defective in material and/or workmanship under normal installation, use and service. If repair or replacement is not practical, Delta Faucet Company may elect to refund the purchase price in exchange for the return of the product. **These are your exclusive remedies.**

Delta Faucet Company recommends using a professional plumber for all installation and repair. We also recommend that you use only genuine Delta® replacement parts.

Delta Faucet Company shall not be liable for any damage to the faucet resulting from misuse, abuse, neglect or improper or incorrectly performed installation, maintenance or repair, including failure to follow the applicable care and cleaning instructions.

Replacement parts may be obtained by calling the applicable number below or by writing to:

### In the United States and Mexico:

Delta Faucet Company  
Product Service  
55 E. 111th Street  
Indianapolis, IN 46280  
1-800-345-DELTA (3358)  
customerservice@deltafaucet.com

### In Canada:

Masco Canada Limited, Plumbing Group  
Technical Service Centre  
350 South Edgeware Road  
St. Thomas, Ontario, Canada N5P 4L1  
1-800-345-DELTA (3358)  
customerservice@mascocanada.com

Proof of purchase (original sales receipt) from the original purchaser must be made available to Delta Faucet Company for all warranty claims unless the purchaser has registered the product with Delta Faucet Company. This warranty applies only to Delta® faucets manufactured after January 1, 1995 and installed in the United States of America, Canada and Mexico.

DELTA FAUCET COMPANY SHALL NOT BE LIABLE FOR ANY SPECIAL, INCIDENTAL OR CONSEQUENTIAL DAMAGES (INCLUDING LABOR CHARGES) FOR BREACH OF ANY EXPRESS OR IMPLIED WARRANTY ON THE FAUCET. Some states/provinces do not allow the exclusion or limitation of special, incidental or consequential damages, so these limitations and exclusions may not apply to you. This warranty gives you special legal rights. You may also have other rights which vary from state/province to state/province.

This is Delta Faucet Company's exclusive written warranty and the warranty is not transferable.

If you have any questions or concerns regarding our warranty, please view our Warranty FAQs at [www.deltafaucet.com](http://www.deltafaucet.com), email us at [customerservice@deltafaucet.com](mailto:customerservice@deltafaucet.com) or call us at the applicable number above.

## Delta HDF Limited Warranty

All parts of the Delta HDF faucet are warranted to the original consumer purchaser to be free from defects in material and workmanship for a period of five (5) years. This warranty is made to the original consumer purchaser and shall be effective from date of purchase as shown on purchaser's receipt.

Delta will replace, FREE OF CHARGE, during the warranty period, any part which proves defective in material and/or workmanship under normal installation, use and service. Replacement parts can be obtained from your local dealer or distributor listed in the telephone directory or by returning the part along with the purchaser's receipt to our factory, TRANSPORTATION CHARGES PREPAID, at the address listed. **THIS WARRANTY IS THE ONLY EXPRESS WARRANTY MADE BY DELTA. ANY CLAIMS MADE UNDER THIS WARRANTY MUST BE MADE DURING THE FIVE YEAR PERIOD REFERRED TO ABOVE. ANY IMPLIED WARRANTIES, INCLUDING THE IMPLIED WARRANTY OF MERCHANTABILITY OR FITNESS FOR A**

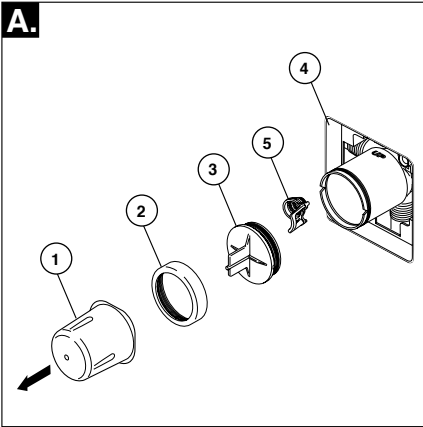
**PARTICULAR PURPOSE, ARE LIMITED IN DURATION TO THE DURATION OF THIS WARRANTY. LABOR CHARGES AND/OR DAMAGE INCURRED IN INSTALLATION, REPAIR OR REPLACEMENT AS WELL AS INCIDENTAL AND CONSEQUENTIAL DAMAGES CONNECTED THEREWITH ARE EXCLUDED AND WILL NOT BE PAID BY DELTA.**

Some states do not allow limitations on how long an implied warranty lasts, or the exclusion or limitation of incidental or consequential damages, so the above limitations or exclusions may not apply to you.

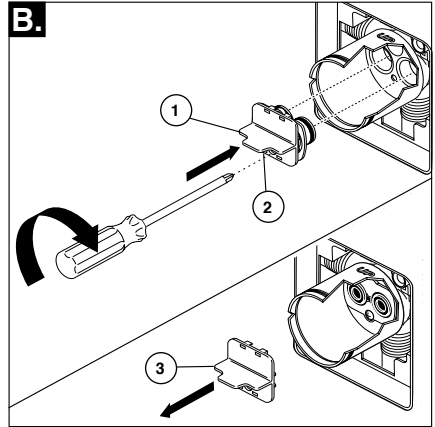
This warranty gives you specific legal rights, and you may also have other rights which vary from state to state.

This warranty is void for any damage to this faucet due to misuse, abuse, neglect, accident, improper installation, any use violative of instructions furnished by us or any use of replacement parts other than genuine Delta parts.

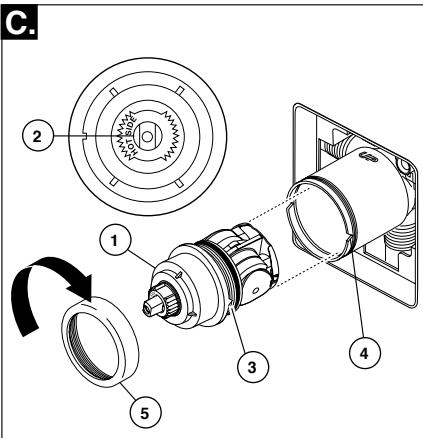
## 1 Cartridge Installation



**Turn off water supplies.** Remove cover (1), bonnet nut (2) and test cap (3) from the body. If this is not a thin wall mounting, the entire plasterguard (4) may be removed. If screen (5) is in place, remove before installing cartridge.

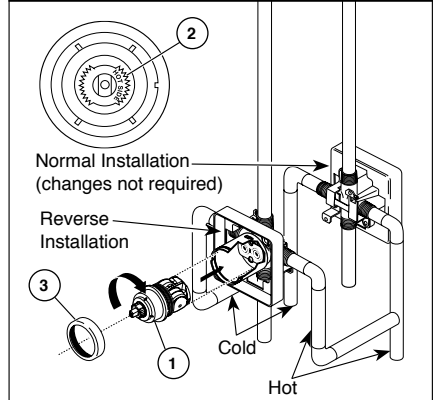


Insert adapter assembly (1) into valve body. Make sure the adapter assembly is correctly positioned and is pressed all the way down inside body. Secure adapter with the screw (2) provided in the adapter assembly. Remove the retainer (3) from the adapter.



Rotate cartridge (1) so the words "HOT SIDE" (2) appear on the left. Insert cartridge assembly into valve body. Make sure the key (3) on the cartridge is fully engaged with the slot in the brass body (4). Slide bonnet nut (5) over the cartridge and thread onto the body. Hand tighten securely.

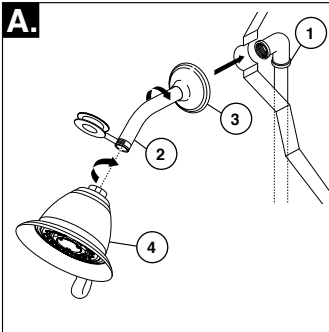
## Back to back Installation



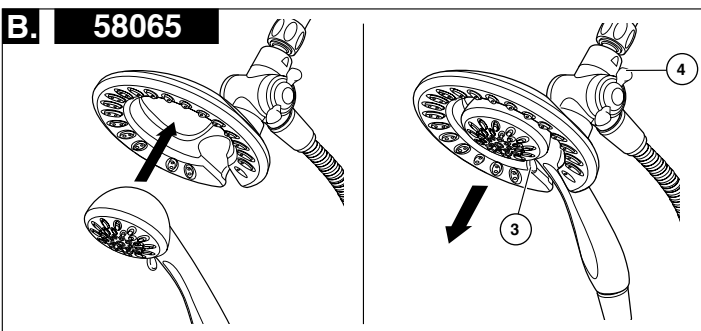
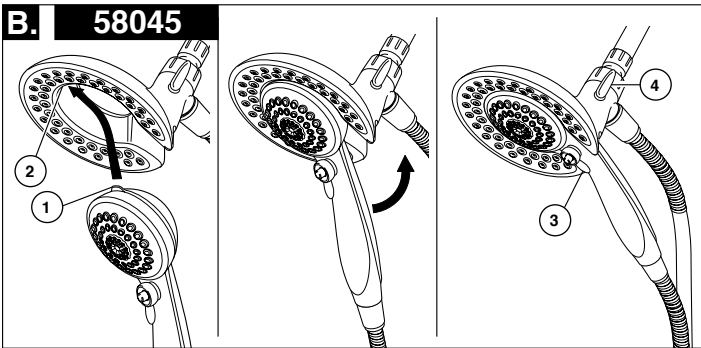
For back to back or reverse installations (hot on right and cold on left): Rotate cartridge (1) so the words "HOT SIDE" (2) appear on the right. Install the cartridge making sure that the key is fully engaged with the slot in the brass body (See step C). Slide bonnet nut (3) over the cartridge and thread onto the body. Hand tighten securely.

# Installation

## 2 Showerhead and Tub Spout Installation



**FOR SHOWERHEAD INSTALLATION:** Connect top outlet (1) to shower arm (2) with proper fittings. To prevent damage to finish on shower arm, insert wall end of shower arm into shower flange (3) before screwing arm onto shower arm. Apply plumber tape to pipe threads on both ends. Do not overtighten showerhead.



**B. 58045:** To combine the two showers, insert the top tab (1) on the handshower into the slot (2) of the showerhead. Push the handshower into the showerhead until the two parts snap together.

**58065:** To combine the two showers, push the handshower into the showerhead, then pull down on the handshower until locked with the showerhead.

If the showerhead moves when removing the handshower, hand tighten the connection between the showerhead and the shower arm.

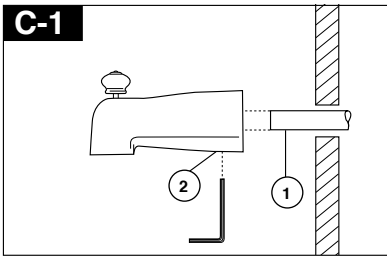
To change spray modes, turn the lever (3) left or right to the desired setting. Turn knob (4) to change between showerhead only, showerhead and handshower or handshower only.

## 2

### Showerhead and Tub Spout Installation

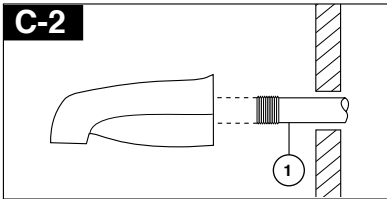
#### FOR TUB SPOUT INSTALLATION:

Refer to the installation instructions supplied with your spout. Do not connect deck mount spouts to in-wall valves. Do not use hand showers connected in lieu of a tub spout to a tub/shower valve. Do not use PEX tubing for tub spout drop.



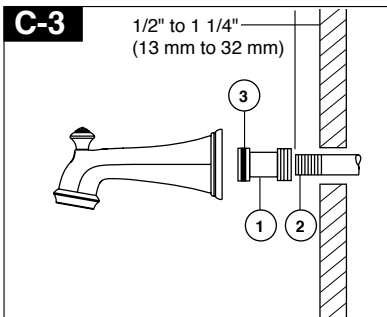
#### Slip-On Installation

The copper tube (1) must be 1/2" nominal copper. Important: If it is necessary to cut the copper tube, the end must be chamfered free of burrs to prevent cutting or nicking O-ring inside the spout. Slide spout over copper tube flush with the finished tub or wall surface. Tighten set screw (2), but do not overtighten.



#### Iron Pipe Installation

Install threaded pipe nipple (1) to extend past finished wall. Apply plumber tape to threads on pipe nipple and screw on tub spout.



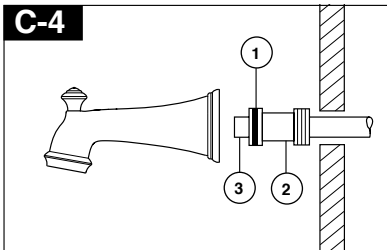
#### Iron Pipe Installation

##### Installation of easy-on universal tub spout

Install pipe nipple so that end of nipple projects out from finished wall surface 1/2" to 1 1/4" (13 mm to 32 mm).

Apply plumber tape or pipe dope to pipe threads. Hand tighten adapter (1) onto pipe nipple (2). Finish tightening with standard pipe wrench until a positive seal is implemented. Take care not to damage O-Ring (3) groove. Back of adapter (1) must not project more than 1" (25 mm) from finished wall surface.

Hand tighten tub spout onto adapter (1) taking care not to damage the O-Ring (3).



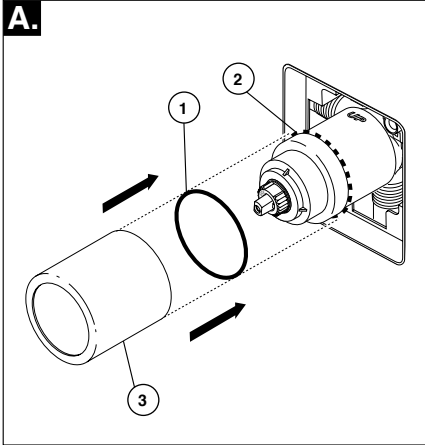
#### Copper Sweat Installation

Remove O-ring (1) from adapter (2). Solder adapter to tube taking care to keep solder away from O-ring groove. CAUTION: NO SOLDER PERMITTED ON OUTSIDE DIAMETER OF ADAPTER ADJACENT TO O-RING GROOVE.

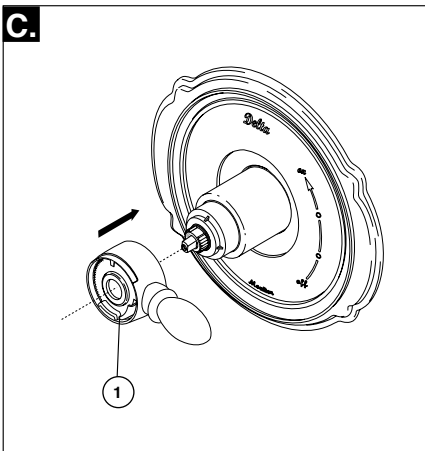
Cut off tube (3) and replace O-ring on groove of brass adapter. Thread tub/spout onto adapter, taking care not to damage O-ring, and hand tighten until spout is firmly against finished wall and all slack is taken up behind wall.

# Installation

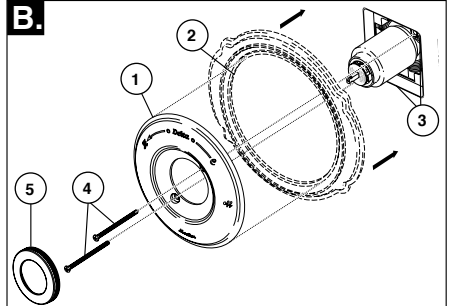
## 3 Trim Installation



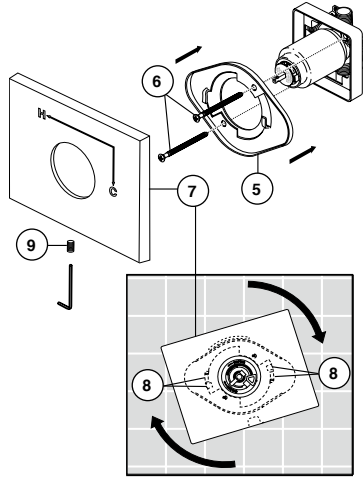
Slide O-ring (1) over cartridge and the bonnet nut (2). The O-ring, which acts as a spacer to steady the sleeve, should rest behind the bonnet nut. Slide the sleeve (3) over the cartridge, body and O-ring. Ensure sleeve is properly positioned over the front of cartridge.



Install volume control handle (1) with lever to the right, then turn to the on position. **DO NOT SECURE WITH SCREW.**



**Escutcheon Installation for Models T17053, T17253, T17453, T17067, T17267 & T17467.**



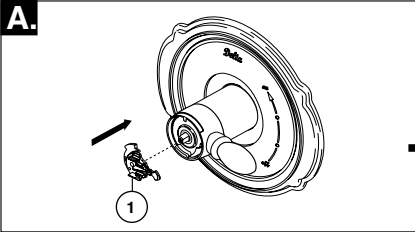
Secure the escutcheon (1) and backplate (2) (if your model has one) to the bracket (3) using the 2 screws provided (4). Do not overtighten escutcheon screws. **If you are installing the Cassidy models T17097, T17297 & T17497:** Thread the cover (5) onto the escutcheon (1).

**For models T17053, T17253, T17453, T17067, T17267 & T17467:**

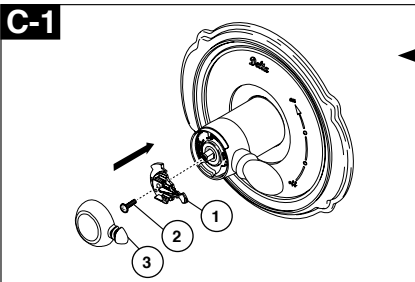
Install bracket (5) over the cartridge body using the 2 screws provided (6). Install escutcheon (7) by placing it over the bracket as shown and rotating it to lock the tabs (8). Secure the escutcheon to the bracket using set screw (9).



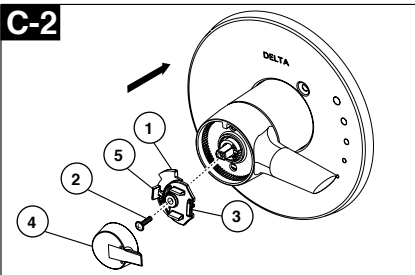
## 4 Installation and Adjustment of the Rotational Limit Stop



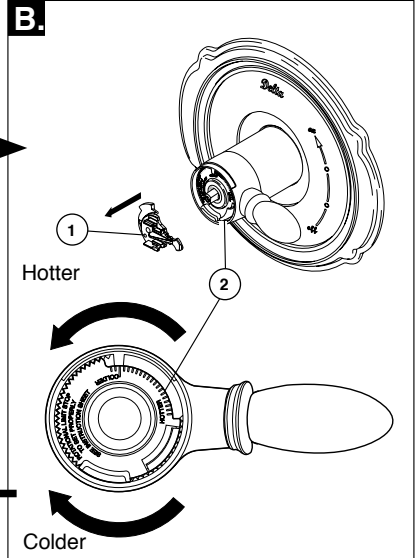
Place the temperature control knob (1) on volume handle and rotate to the mixed position (if required). **DO NOT SECURE WITH SCREW.** Turn on water supplies; let the water run until both hot and cold water is as hot/cold as possible. Place thermometer in a plastic tumbler, and hold the tumbler in the water stream. Record the temperature reading.



Secure temperature control knob (1) with screw (2). Snap on temperature control cover (3) with side snaps onto knob (1).



Secure temperature control knob (1) with screw (2). Hook (3) front of temperature control cover (4) onto knob (1) before engaging rear snap (5).



If the water temperature is above 120°F, remove the temperature control knob (1) and rotate the limit stop (2) clockwise one tooth for every 4°F - 6°F (approximate) change in temperature. If water temperature is cooler than desired, rotate the limit stop counterclockwise.

**IMPORTANT:** The first position of the Rotational Limit Stop (the Limiter) is that position that restricts the rotation of the stem the most and is at the maximum clockwise setting. According to industry standards, the maximum allowable temperature of the water exiting from the valve is 120°F. This temperature may vary in your local area. The Rotational Limit Stop may need to be readjusted if the inlet water temperature changes. For instance, during the winter, the cold water temperature is colder than it is during the summer which could result in varying outlet temperatures. Typical temperature for a comfortable bath or shower is between 90°–110° F.

**5** Potential scald or thermal shock injury could result due to cross flow if outlet at the shower is blocked or restricted (e.g., pause control on showerhead). Be sure to point showerhead away from you when re-starting flow or install inlet check valves on both supply lines to prevent possible injury.

# Clean and Care

Care should be given to the cleaning of this product. Although its finish is extremely durable, it can be damaged by harsh abrasives or polish. To clean, simply wipe gently with a damp cloth and blot dry with a soft towel.

**Warning:** *Scrubbing Bubbles® Bathroom Cleaner and Lysol® Basin Tub and Tile Cleaner* must not be used on the clear knob handles and levers. Use of these cleaners can result in cracked or severely damaged handles. If overspray gets onto the handles, immediately wipe them dry with a soft cotton cloth.

# Maintenance

## Faucet leaks from tub spout/showerhead: SHUT OFF WATER SUPPLIES.

Replace valve cartridge  
RP46463 or RP32104

See Helpful Hints 1, 2, 3 & 4.

### Helpful Hints:

1. Before removing valve cartridge assembly for any maintenance, be sure to note the position of the rotational limit stop on the cap. The valve cartridge assembly must always be put back in the same position. **BE SAFE!** After you have finished the installation, turn on valve to make sure **COLD WATER FLOWS FIRST.**

2. To remove valve cartridge from body, shut off water supplies and remove handle and bonnet nut. Do not pry the valve cartridge out of the body with a screwdriver. Place handle on stem and rotate counterclockwise approximately 1/4 turn after the stop has been contacted. Lift valve cartridge out of body.

Remove seats and springs and replace.

Place the largest diameter of the spring into the seat pocket first and then press the tapered end of the seal over the spring. Reassemble valve cartridge and replace in body following instructions given in 1 above.

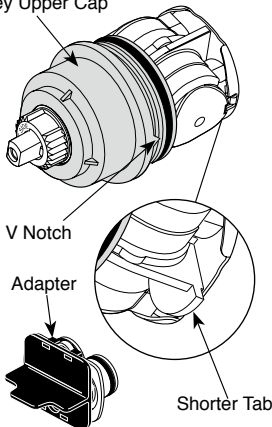
3. If the water in your area has lime, rust, sand or other contaminants in it, your pressure balance valve will require periodic inspection. The frequency of the inspection will depend on the amount of contaminants in the water. To inspect valve cartridge remove it and follow the steps in note 1 above. Turn the valve to the full mix position and shake the cartridge vigorously. If there is a rattling sound, the unit is functional and can be reinstalled following instructions given in note 1 above. If there is no rattle, replace the housing assembly with the proper RP.

# Cartridge Summary Reference Sheet

## Units shipped in March 2006 and after.

**17**

Grey Upper Cap

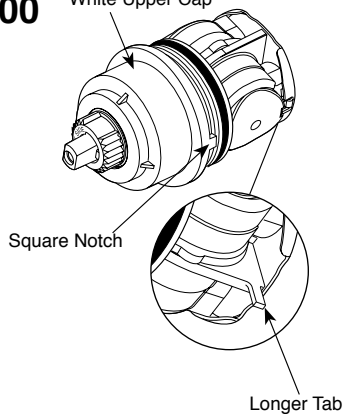


**Order RP46463 to  
Replace Cartridge.**

## Units shipped before March 2006.

**1700**

White Upper Cap



**Order RP32104 to  
Replace Cartridge.**



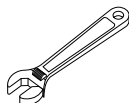
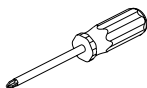
# Instrucciones para la Instalación del Accesorio para Válvulas MultiChoice® Manual para los Propietarios

## 17 Series

ASME A112.18.1 / CSA B125.1  
ASSE 1016 (Type -P- or -T-)

Escriba aquí el número del modelo comprado.

### Usted puede necesitar



### Contenido:

|   |             |
|---|-------------|
| Garantías .....                                   | Page 2      |
| Instrucciones de Instalación .....                | Pages 3 - 7 |
| Limpieza y Cuidado de su Llave .....              | Page 8      |
| Mantenimiento .....                               | Page 8      |
| Hoja resumen de referencia para el cartucho ..... | Page 8      |
| Piezas de Repuesto de la Serie Clásica .....      | Page 10     |

### Para las piezas de repuesto adicionales, visite [www.deltafaucet.com](http://www.deltafaucet.com)

**ESTA VÁLVULA CUMPLE O EXCEDE LAS SIGUIENTES NORMAS: ASME A112.18 1 / CSA B125.1 y ASSE 1016 (Type -P- or -T-).**

**ADVERTENCIA:** El instalador debe apostar este sistema/divisa para garantizar temperatura máximo y seguro. Cualquier cambio en el ajuste puede subir la temperatura del agua de descarga sobre el límite considerado seguro y puede resultar en quemaduras de agua caliente.

**AVISO PARA EL INSTALADOR: PRECAUCIÓN** – Como instalador de esta válvula, es su responsabilidad de **INSTALAR Y AJUSTAR** apropiadamente esta válvula como se describe en las instrucciones, por lo tanto, debe haber una persona para hacer los ajustes necesarios del Tope del Límite Rotacional y del pomo para la temperatura en el momento que se haga la instalación y pueda necesitar ajustes adicionales por los cambios estacionales de la temperatura del agua. **USTED DEBE** informarle al dueño/usuario sobre este requisito siguiendo las instrucciones. Si usted o el dueño/usuario no están seguros como hacer estos ajustes apropiadamente, por favor refiérase al **Página 7** y si todavía no está seguro, llámenos al **1-800-345-DELTA**.

Después de hacer la instalación y el ajuste, usted puede agregarle a la etiqueta de aviso proporcionada, su nombre, el nombre de la compañía y la fecha cuando ajustó el Tope del

compañía y la fecha cuando ajustó el Tope del Límite Rotacional y aplicar o fijar la etiqueta al dorso de la puerta del gabinete más cercano y la etiqueta de aviso al calentador de agua. Deje la Hoja de Instrucciones para referencia del dueño/usuario.

**ADVERTENCIA:** Esta válvula de presión balanceada y termostática está diseñada para minimizar los efectos de los cambios de temperatura de agua por causa de los cambios de presión en el agua de entrada, comúnmente causados por lavadoras de platos, lavadoras de ropa, inodoros, y otros aparatos por el estilo. Puede no proporcionar protección de quemaduras de agua caliente cuando hay alguna falla de otros aparatos para el control de temperatura en otro sitio en el sistema de plomería. También no proporcionará protección si el tope del límite rotacional la temperatura no está apropiadamente fijo o si cambia la temperatura del agua caliente después de hacer los ajustes o si los cambios del gua de entrada son por los cambios estacionales.

**ADVERTENCIA:** No instale un aparato de corte o cierre en cualquiera de las tomas de esta válvula. Cuando este tipo de aparato cierra el flujo de agua, puede hacer fallar la habilidad de la válvula de balancear las presiones del agua caliente y fría.

## Garantía Limitada De Por Vida de la Llave y su Acabado

### Piezas y acabado

Todas las piezas (excepto las piezas electrónicas y las pilas) y los acabados de esta llave de agua Delta® están garantizados al consumidor comprador original de estar libres de defectos en material y fabricación durante el tiempo que el comprador original posea la vivienda en la que la llave de agua fue originalmente instalada o, para los consumidores comerciales, durante 5 años a partir de la fecha de compra.

### Componentes electrónicos y pilas (si aplicable)

Todas las piezas (salvo las pilas), si hay, de esta llave de agua Delta® están garantizadas al consumidor comprador original de estar libres de defectos en materiales y fabricación durante 5 años a partir de la fecha de compra o, para los usuarios comerciales, por un año a partir de la fecha de compra. No se garantizan las pilas.

Delta Faucet Company reemplazará, SIN CARGO, durante el período de garantía aplicable, cualquier pieza o acabado que pruebe tener defectos de material y/o fabricación bajo la instalación, uso y servicio normal. Si la reparación o su reemplazo no es práctico, Delta Faucet Company tiene la opción de reembolsarle su dinero por la cantidad del precio de compra a cambio de la devolución del producto. **Estos son sus únicos recursos.**

Delta Faucet Company recomienda que use los servicios de un plomero profesional para todas las instalaciones y reparaciones. También le recomendamos que utilice sólo las piezas de repuesto originales de Delta®.

Delta Faucet Company no será responsable por cualquier daño a la llave de agua que resulte del mal uso, abuso, negligencia o mala instalación o mantenimiento o reparación incorrecta, incluyendo el no seguir los cuidados aplicables y las instrucciones de limpieza.

Las piezas de repuesto se pueden obtener llamando al número correspondiente más abajo, o escribiendo a:

### En los Estados Unidos y México:

Delta Faucet Company  
Product Service  
55 E. 111th Street  
Indianapolis, IN 46280  
1 800 345 DELTA (3358)  
customerservice@deltafaucet.com

### En Canadá:

Masco Canada Limited, Plumbing Group  
Technical Service Centre  
350 South Edgeware Road  
St. Thomas, Ontario, Canada N5P 4L1  
1 800 345 DELTA (3358)  
customerservice@mascocanada.com

La prueba de compra (recibo original) del comprador original debe ser disponible a Delta Faucet Company para todos los reclamos a menos que el comprador haya registrado el producto con Delta Faucet Company. Esta garantía le aplica sólo a las llaves de agua de Delta® fabricadas después del 1 de enero 1995 e instaladas en los Estados Unidos de América, Canadá y México.

**DELTA FAUCET COMPANY NO SE HACE RESPONSABLE POR CUALQUIER DAÑO ESPECIAL, INCIDENTAL O CONSECUENTE (INCLUYENDO LOS GASTOS DE MANO DE OBRA) POR EL INCUMPLIMIENTO DE CUALQUIER GARANTÍA EXPRESA O IMPLÍCITA DE LA LLAVE DE AGUA.** Algunos estados/provincias no permiten la exclusión o limitación de daños especiales, incidentales o consecuentes, por lo que estas limitaciones y exclusiones pueden no aplicarle a usted. Esta garantía le otorga derechos legales. Usted también puede tener otros derechos que varían de estado/provincia a estado/provincia.

Esta es la garantía exclusiva por escrito de Delta Faucet Company y la garantía no es transferible.

Si usted tiene alguna pregunta o inquietud acerca de nuestra garantía, por favor, vea nuestra sección de preguntas frecuentes FAQ sobre la garantía en [www.deltafaucet.com](http://www.deltafaucet.com), también puede enviarnos un correo electrónico a [customerservice@deltafaucet.com](mailto:customerservice@deltafaucet.com) o llámenos al número que le corresponda anteriormente incluido.

## Garantía Limitada de Delta HDF

Todas las piezas de la llave Delta HDF están garantizadas al dueño original de estar libres de defectos en materiales y/o en la mano de obra por un período de cinco (5) años. Esta garantía se hace al dueño original y será efectiva el día de la compra como se ve en el recibo de compra.

Delta reemplazará, LIBRE DE CARGO, durante el período de la garantía, cualquier pieza que resulte defectuosa en materiales y/o en la mano de obra bajo instalación, uso y servicio normal. Las piezas de repuesto pueden ser obtenidas de su comerciante o distribuidor local que se encuentran en la guía telefónica o si usted devuelve la pieza con el recibo de compra a nuestra fabrica, Y LOS CARGOS DE TRANSPORTE PAGADOS CON ANTELACION, a la dirección dada. ESTA GARANTIA ES LA UNICA GARANTIA EXPRESA DE DELTA. CUALQUIER RECLAMO HECHO BAJO ESTA GARANTIA TIENE QUE SER HECHO DURANTE EL PERIODO DE CINCO AÑOS A QUE SE REFIERE ARRIBA. CUALQUIER GARANTIA IMPLICITA, INCLUYENDO LA GARANTIA IMPLICITA DE COMERCIALIZACION O CONVENIENCIA PARA UN PROPOSITO PARTICULAR, SON LIMITADOS EN

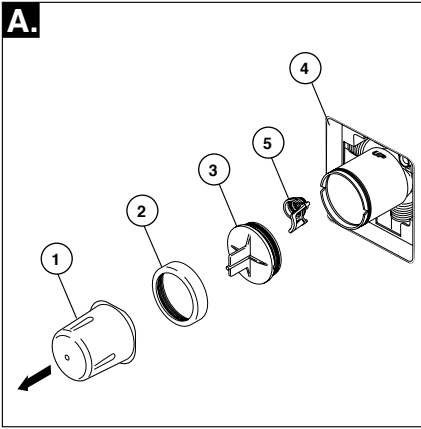
DURACION A LA DURACION DE ESTA GARANTIA. LOS CARGOS PARA LA MANO DE OBRA Y/O DAÑOS INCURRIDOS EN LA INSTALACION, REPARACION O REEMPLAZO, ASI COMO LOS DAÑOS INCIDENTALES O CONSECUENTES CONECTADOS CON ELLOS SON EXCLUIDOS Y NO SERAN PAGADOS POR DELTA.

Algunos estados no permiten limitaciones al tiempo que dura la garantía implícita, o la exclusión o limitación de los daños incidentales o consecuentes, así que la limitación o exclusión expresada arriba puede no ser aplicable a usted.

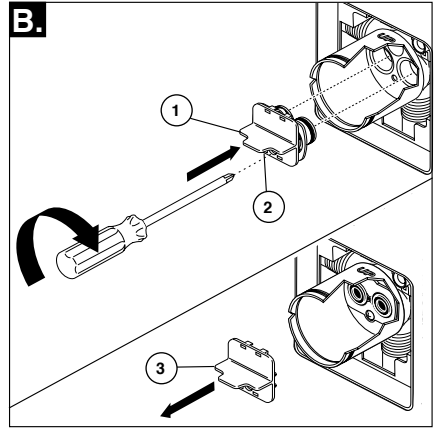
Esta garantía le da a usted derechos legales específicos y usted puede también tener otros derechos que varían de estado a estado.

Esta garantía es nula por cualquier daño a esta llave que sea el resultado del mal uso, abuso, negligencia, accidente, instalación impropia, cualquier uso en violación de las instrucciones suministradas por nosotros o cualquier uso de piezas de repuesto que no sean piezas genuinas Delta.

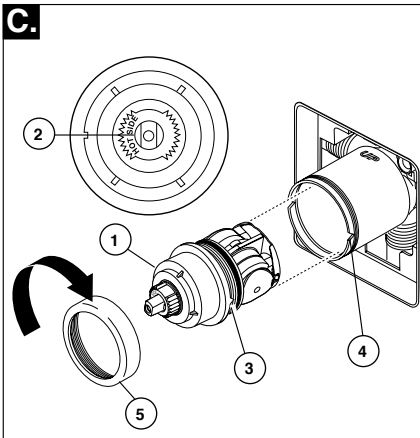
## 1 Instalación del Cartucho



**Cierre los suministros de agua.** Quite la cubierta (1), la tuerca tapa (2) y la tapa de prueba (3). Si no es para instalar en pared delgada, puede quitar el protector (4) de yeso completo. Si la pantalla (5) está en lugar, quite antes de instalar el cartucho.

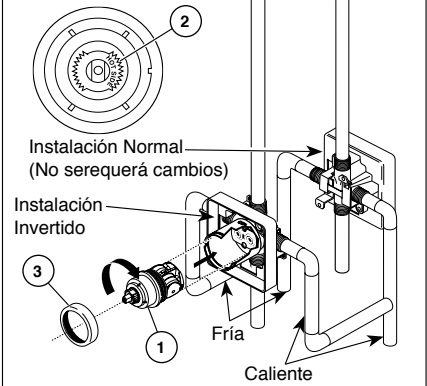


Introduzca el adaptador (1) en la válvula. Asegúrese que el adaptador estén correctamente colocados dentro de los orificios en la base de la válvula. Fije el adaptador con el tornillo (2) suministrado con el adaptador. Quite el retenedor (3) del adaptador.



Gire el cartucho (1) de manera que las palabras 'HOT SIDE' (LADO CALIENTE) (2) aparezcan en la izquierda. Introduzca el cartucho en la válvula. Asegúrese que la guía (3) en el cartucho esté totalmente encajada en la muesca del cuerpo de latón (4). Deslice la tuerca tapa (5) sobre el cartucho y enrosque en el cuerpo de la válvula. Apriete a mano bien.

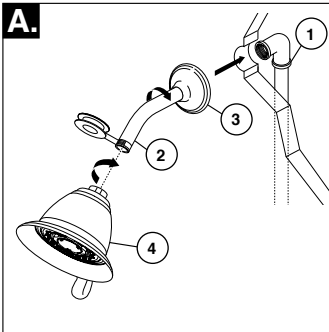
### Instalación de Espalda a Espalda



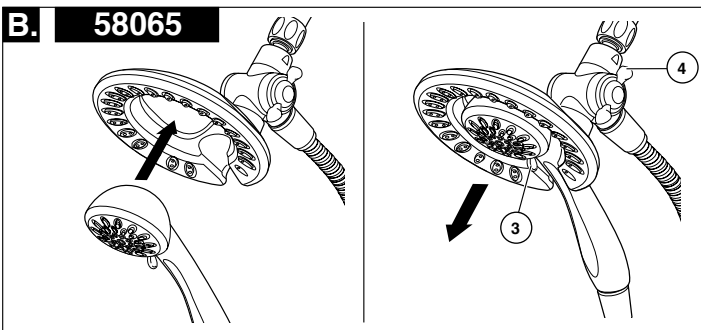
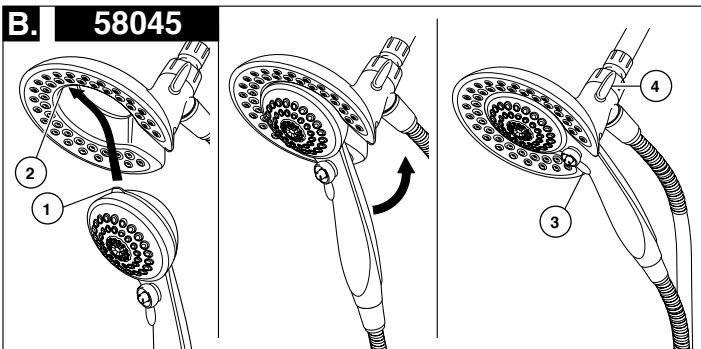
En las instalaciones dorso con dorso (el agua caliente en la derecha y la fría en la izquierda): Gire el cartucho (1) de manera que las palabras "HOT SIDE" (LADO CALIENTE) (2) aparezcan en la derecha. Instale el cartucho asegurando que la guía quede totalmente encajada en la muesca de la pieza de latón. Deslice la tuerca tapa (3) sobre el cartucho y enrosque en el cuerpo de la válvula. Apriete a mano bien.

# Instalación

## 2 Instalación de la Cabeza de la Regadera y el Surtidor de la Bañera



**PARA LAS INSTALACIONES DE LAS CABEZAS DE REGADERA:** Conecte la toma de salida de agua superior (1) al brazo de la regadera (2) con los accesorios apropiados. Para prevenir daño al acabado del brazo de la regadera, introduzca el extremo que va hacia la pared del brazo de la regadera dentro del reborde (3) antes de atornillar el brazo en la conexión de la tubería vertical. Aplique cinta para plomero a los enrosques de la tubería. No apriete demasiado la cabeza de la regadera.



**B. 58045:** Para combinar las dos regaderas, inserte la lengüeta superior (1) en la regadera de mano en la muesca (2) de la cabeza de la regadera. Oprima la regadera de mano en la cabeza de la regadera hasta que las dos partes encajen y queden juntas.

**58065:** Para combinar las dos regaderas, oprima la regadera de mano en la cabeza de la regadera hasta que las dos partes encajen y queden juntas. A continuación, tire hacia abajo la regadera de mano hasta que quede fija con la cabeza de la regadera.

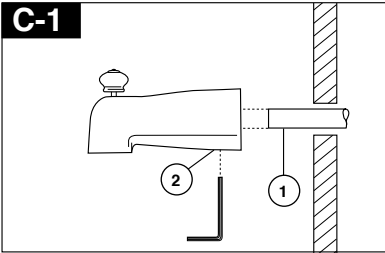
Si la cabeza de la regadera se mueve cuando retira la regadera manual, apriete a mano la conexión entre la cabeza de la regadera y el brazo de la regadera.

Para cambiar los modos de rocío de la regadera, mueva la palanca (3) de izquierda a derecha al ajuste deseado. Gire la perilla (4) (para cambiar el flujo de agua para que salga sólo por la cabeza de la regadera, o por la cabeza de la regadera y regadera manual o sólo por la regadera manual.

## 2

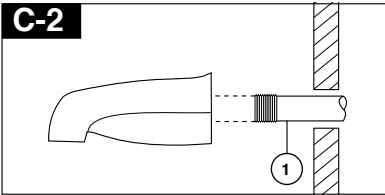
### Instalación de la Cabeza de la Regadera y el Surtidor de la Bañera

**PARA LA INSTALACIÓN DEL SURTIDOR DE LA BACERA:** Refiérase a las instrucciones para la instalación suministradas con su surtidor. No conecte los surtidores para las instalaciones en las superficies horizontales en las válvulas dentro de las paredes. No use las regaderas de mano en vez de un surtidor de bañera conectado a una válvula de bañera/regadera. No use la tubería PEX como tubería entre la válvula y el surtidor de la bañera.



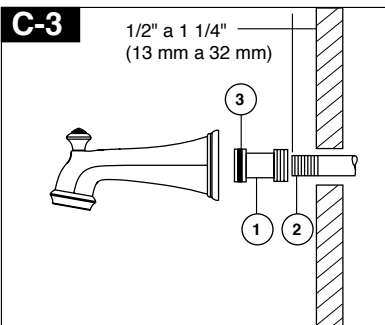
#### Instalación deslizable

El tubo de cobre (1) debe ser de 1/2" de cobre nominal. Importante: Si es necesario cortar el tubo de cobre, el extremo debe biselarse que quede libre de rebabas para prevenir cortar o mellar el aro O dentro del tubo de cobre. Deslice el surtidor sobre el tubo de cobre al ras con la bañera o la superficie de la pared acabada. Apriete el tornillo de ajuste (2), pero no apriete demasiado.



#### Instalación de la tubería de Hierro

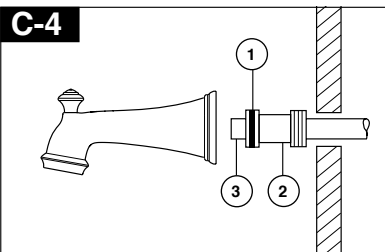
Instale una enterrosca de tubo enroscado de 1/2" (13 mm) (1) para extenderse por delante de la pared acabada. Aplique cinta para plomero a las roscas en la enterrosca de tubo y atornille el surtidor de la bañera.



#### Instalación del tubo de hierro

#### Instalación del tubo de salida de agua del easy-on universal para bañeras

Instale la enterrosca del tubo de manera que el extremo de ésta sobresalga de la pared acabada 1/2" a 1 1/4" (13 mm a 32 mm). Aplique cinta para plomero o compuesto para tubos a las roscas del tubo. Apriete a mano el adaptador (1) a la enterrosca del tubo (2). Termine apretando con una llave de tubos estándar hasta que el sello positivo se implemente. Tenga cuidado de no dañar la muesca del anillo-O (3). La parte posterior del adaptador (1) no debe sobresalir más de 1" (25 mm) de la superficie de la pared acabada. Apriete a mano el tubo de salida de agua de la bañera al adaptador (1) teniendo cuidado de no dañar el anillo - O (3).

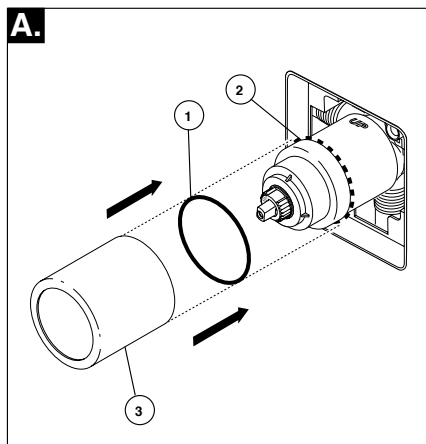


#### Instalación de Soldadura de Cobre

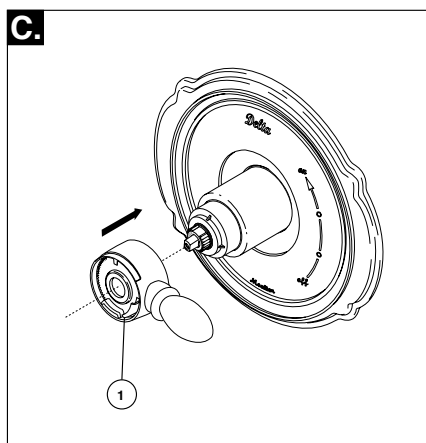
Quite el aro O (1) del adaptador (2). Suelde el adaptador al tubo asegurando de mantener la soldadura lejos de las muescas del aro O. AVISO: NO SE PERMITE SOLDAR EN EL DIAMETRO EXTERIOR DEL ADAPTADOR ADJUNTO A LA MUESCA DEL ARO O. Corte el tubo (3) y coloque otra vez el aro O en la muesca del adaptador de latón. Atornille la bañera/surtidor al adaptador, asegurando no dañar el aro O, y apriete a mano bien hasta que el surtidor quede firmemente contra la pared acabada y no quede flojo detrás de la pared.

# Instalación

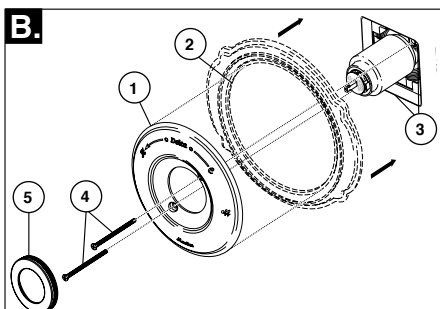
## 3 Instalación Final



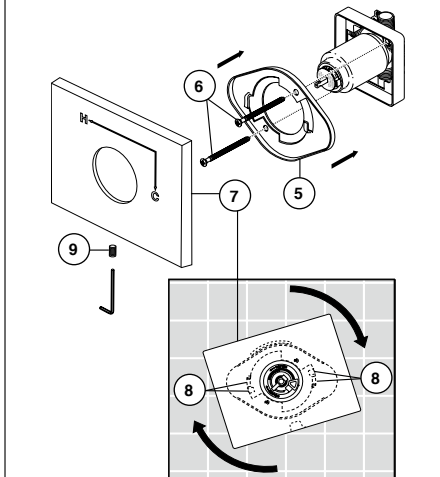
Deslice el aro O (1) sobre el cartucho y la tuerca tapa (2). El aro O, el cual funciona como un separador para estabilizar la manga, debe quedar apoyado en la tuerca tapa. Deslice la manga (3) sobre el cartucho, el cuerpo de la pieza y el aro O.



Instale la manija de control del volumen (1) con la palanca hacia la derecha, luego gírela a la posición abierta. **NO FIJE CON TORNILLO.**



**La instalación de la roseta para los modelos T17053, T17253, T17453, T17067, T17267 y T17467.**



Fije la roseta con orificio (1) y la placa de atrás (2) (si su modelo tiene una) al soporte (3) usando los 2 tornillos suministrados (4). No apriete demasiado los tornillos de la roseta.

**Si está instalando the Cassidy Modelos T17097, T17297 y T17497:**

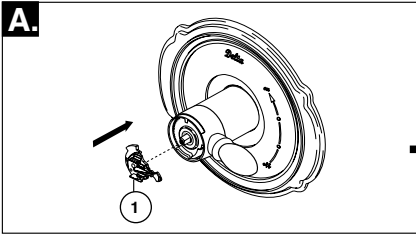
Gira la tapa(5) en la cubierta de orificio(1).

**Para los modelos T17053, T17253, T17453, T17067, T17267 y T17467:**

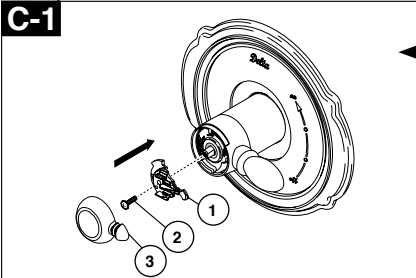
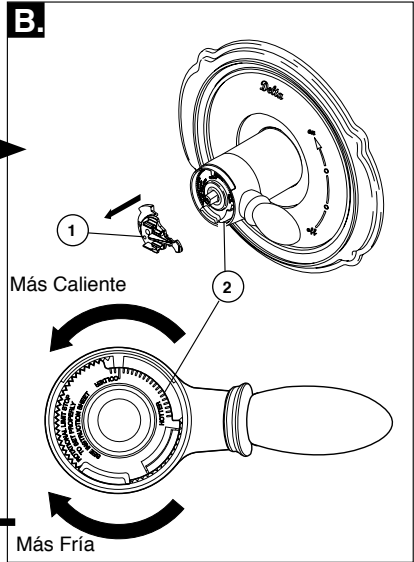
Instale el soporte (5) sobre el cuerpo del cartucho usando los 2 tornillos incluidos (6). Instale la chapa de base (7) colocándola sobre el soporte como se muestra y girándola para que encaje en las muescas (8). Fije la chapa de base al soporte usando el tornillo de ajuste (9).



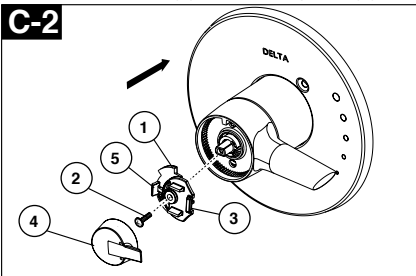
## 4 Instalación y Ajuste del Tope que Limita la Rotación



**Instalación y Ajuste del Tope que Limita la Rotación** Coloque la perilla para el control de la temperatura (1) en la manija para controlar el volumen y gire a la posición mixta (si se requiere). **NO FIJE CON TORNILLO.** Abra los suministros de agua; deje que el agua corra hasta que ambas, el agua caliente y la fría, estén lo más caliente/fría posible. Coloque el termómetro en un vaso plástico, y sostenga el vaso debajo del chorro de agua. Tome nota de la temperatura.



Fije la perilla para el control de la temperatura (1) con un tornillo (2) coloque la perilla para el control de cubierta (3) encima de perilla(1).



Fije la perilla para el control de la temperatura (1) con un tornillo (2). Gancho (3) delantero coloque la perilla para el control de couverture (4) encima de perilla (1) antes de la participación parte trasera instantánea (5).

Si la temperatura del agua es más de 120°F, quite la perilla para el control de la temperatura (1) y gire el tope (2) en sentido de las manecillas del reloj un diente por cada 4°F-6°F (aproximadamente) de cambio de temperatura. Si la temperatura del agua es más fría de lo deseado, gire el tope en sentido contrario de las manecillas del reloj.

**IMPORTANTE:** La primera posición del tope que limita la rotación (el pare) es aquella que limita más la rotación de la espiga y es la que está en la colocación máxima en sentido contrario a las manecillas del reloj. De acuerdo a los estándares de la industria, la temperatura máxima permitida del agua que sale de la válvula es 120° F. Esta temperatura puede variar en su área. Si el agua de entrada cambia de temperatura, se puede requerir el reajuste del tope que limita la rotación. Por ejemplo, durante el invierno, la temperatura del agua fría es más fría que durante el verano, esto puede resultar en temperaturas variadas de agua de entrada. La temperatura típica para un baño o ducha agradable es entre 90°-110° F.

**5** Si la ducha está bloqueado o restringido, puede resultar posiblemente quemadura o lesión por ejemplo, cesa a contral la ducha Asegúrese salir ducha cuando encender otra vez el flujo o instalar válvulas para evitar lesión posible.

## Limpeza y Cuidado de su Llave

Tenga cuidado al ir a limpiar este producto. Aunque su acabado es sumamente durable, puede ser afectado por agentes de limpieza o para pulir abrasivos. Para limpiar su llave, simplemente frótelas con un trapo húmedo y luego séquela con una toalla suave.

**¡ADVERTENCIA! No se puede usar SCRUBBING BUBBLES® BATHROOM CLEANER o LYSOL® BASIN TUB AND TILE CLEANER en las manijas transparentes.** El uso de estos productos pueden resultar en manijas rajados o severamente dañados. Si estos productos caen sobre la manija, séquelo inmediatamente con una toalla de algodón suave.

## Mantenimiento

**La llave tiene fugas de agua en la salida de tina/cabeza deregadera— CIERRE LOS SUMINISTROS DE AGUA.**

Reemplace cartucho de la válvula RP46463 o RP32104

Vea Sugerencia Útiles 1, 2, 3, y 4.

### Sugerencia Útiles:

1. Antes de remover el ensamble del cartucho de la válvula para hacerle cualquier servicio, fíjese en la posición del tope del límite rotacional ubicado en la tapa. Siempre se debe reponer el ensamble de cartucho de válvula en el mismo posición. **TENGA CUIDADO** después de cumplir el instalación dele vuelta a la válvula para asegurar que AGUA FRIA SALGA PRIMERO.

2. Para quitar el cartucho de válvula del cuerpo, cierre los suministros de agua y quite el maneral y bonete. No se debe quitar el cartucho de válvula del cuerpo con atomillador. Ponga el maneral encima el vástago y giralo en el sentido contrario al de las agujas del reloj aproximado 1/4 vuelta. Levanta el cartucho de válvula aguera el cuerpo.

3. Si la agua en su area contiene cal, orín, arena o otros contaminamientos, su válvula de equilibrio de presión requerá inspecciones periódico. La frecuencia de los inspecciones depende en el tamaño de contaminamientos en la agua. Para inspeccionar el cartucho, quite el cartucho, sigue los pasos apuntado en nota 1 arriba. Dele vuelta al válvula hasta el posición completamente mixto y sacude el cartucho riguroso. Si hay traqueteo, funciona el unidad y se puede reinstalar siguiendo nota 1 de arriba. Si no hay traqueteo, reemplace el ensamble de caja.

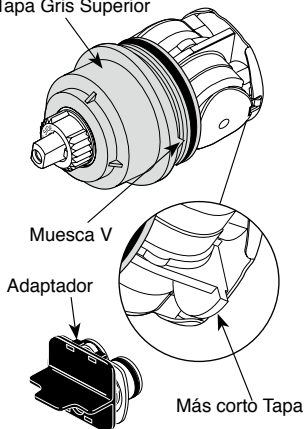
3. Si la agua en su area contiene cal, orín, arena o otros contaminamientos, su válvula de equilibrio de presión requerá inspecciones periódico. La frecuencia de los inspecciones depende en el tamaño de contaminamientos en la agua. Para inspeccionar el cartucho, quite el cartucho, sigue los pasos apuntado en nota 1 arriba. Dele vuelta al válvula hasta el posición completamente mixto y sacude el cartucho riguroso. Si hay traqueteo, funciona el unidad y se puede reinstalar siguiendo nota 1 de arriba. Si no hay traqueteo, reemplace el ensamble de caja.

## Hoja resumen de referencia para el cartucho

Unidades enviadas en  
Marcha de 2006 y después.

17

Tapa Gris Superior

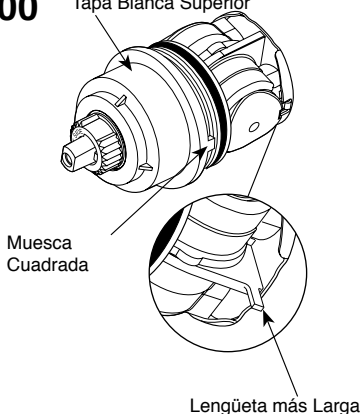


Ordene el Repuesto RP46463 para cambiar el cartucho.

Unidades enviadas antes de  
Marcha de 2006.

1700

Tapa Blanca Superior



Ordene el Repuesto RP32104 para cambiar el cartucho.



# Instructions d'installation Finition de la soupape MultiChoice®

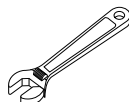
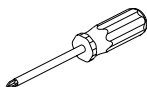
## Guide d'utilisation

### 17 Séries

ASME A112.18.1 / CSA B125.1  
ASSE 1016 (Type -P- or -T-)

Inscrivez le numéro de modèle ici.

#### Articles dont vous pouvez avoir besoin:



#### Table des matières

|  |             |
|--|-------------|
| Garanties .....  | Page 2      |
| Instructions d'installation .....  | Pages 3 - 7 |
| Instructions de nettoyage .....  | Page 8      |
| Maintenance .....  | Page 8      |
| Fiche de référence sommaire de la cartouche .....  | Page 8      |
| Pièces de Rechange de Séries Classiques .....  | Page 10     |
| <b>Pour les pièces de rechange supplémentaires, visitez <a href="http://www.deltafaucet.com">www.deltafaucet.com</a></b> |             |

**Ce robinet satisfait aux exigences des normes ASME A112.18.1/CSA B125.1 et ASSE 1016 (Type -P- or -T-)** ou les surpasse.

**ATTENTION:** L'installateur doit régler l'appareil pour que la température maximale de l'eau chaude soit sans danger. Toute modification des réglage peut entraîner une élévation de la température à la sortie du robinet au delà de la température sans danger et pourrait causer un échaudage.

**AVIS À L'INSTALLATEUR : ATTENTION!** – En qualité d'installateur, vous êtes tenu d'INSTALLER et de RÉGLER ce robinet conformément aux instructions. Ce robinet ne s'adapte pas automatiquement aux fluctuations de la température de l'eau d'alimentation. Par conséquent, il faut régler la butée limitatrice de température au moment de l'installation et il peut être nécessaire de faire de nouveaux réglages par la suite en raison des fluctuations saisonnières de la température de l'eau.

**VOUS DEVEZ informer le propriétaire ou l'utilisateur de cette exigence.** En cas de doute quant à la marche à suivre pour faire ces réglages, veuillez consulter page 7 si un doute persiste, et si cette incertitude persiste, appelez-nous au 1-800-345-DELTA.

Après avoir terminé l'installation et le réglage, vous devez inscrire, sur l'étiquette de mise en garde fournie, votre nom, le nom de votre entreprise et la

fournie, votre nom, le nom de votre entreprise et la date à laquelle vous avez réglé la butée limitatrice de température, puis fixer l'étiquette à l'endos de la porte de la coiffeuse. Vous devez également fixer l'étiquette d'avertissement au chauffe-eau.

**Veillez laisser ce feuillet d'instructions au propriétaire ou à l'utilisateur pour qu'il puisse le consulter au besoin.**

**MISE EN GARDE –** Ce robinet thermostatique à équilibrage de pression pour baignoire est conçu pour limiter les effets des fluctuations de température de l'eau causées par les variations de la pression d'alimentation attribuables au fonctionnement d'un lave-vaisselle, d'une machine à laver, d'un cabinet d'aisances ou d'un autre appareil qui consomme de l'eau. Il peut ne pas protéger l'utilisateur contre l'échaudage en cas de défectuosité d'un autre dispositif de régulation de la température, si le réglage de la butée limitatrice de haute température est mauvais, si la température de l'eau chaude a été modifiée après que les réglages ont été effectués ou si la température de l'eau d'alimentation a changé en raison du changement de saison.

**MISE EN GARDE –** N'installez pas de dispositif d'arrêt sur une sortie quelconque de ce robinet. En interrompant l'écoulement de l'eau, ce dispositif peut empêcher le robinet d'équilibrer les pressions d'eau chaude et d'eau froide.

## Garantie à vie limitée des robinets et de leurs finis

### Pièces et finis

Toutes les pièces (à l'exception des composants électroniques et des piles) et tous les finis de ce robinet Delta® sont protégés contre les défauts du matériau et les vices de fabrication par une garantie qui est consentie au premier acheteur et qui demeure valide tant que celui-ci demeure propriétaire de la maison dans laquelle le robinet a été installé. Dans le cas d'une utilisation commerciale, la garantie est de 5 ans à compter de la date d'achat.

### Composants électroniques et piles (le cas échéant)

Si ce robinet Delta® comporte des composants électroniques, ces composants (à l'exception des piles) sont protégés contre les défauts du matériau et les vices de fabrication par une garantie consentie au premier acheteur qui est d'une durée de 5 ans à compter de la date d'achat. Dans le cas d'une utilisation commerciale, la garantie est d'un an à compter de la date d'achat. Aucune garantie ne couvre les piles.

Delta Faucet Company remplacera, GRATUITEMENT, pendant la période de garantie applicable, toute pièce ou tout fini qui présentera un défaut du matériau et/ou un vice de fabrication pour autant que le robinet ait été installé, utilisé et entretenu normalement. S'il est impossible de réparer ou de remplacer le robinet, Delta Faucet Company pourra décider de rembourser le prix d'achat du produit pour autant que celui-ci lui soit retourné. **Il s'agit de vos seuls recours.**

Delta Faucet Company recommande de confier l'installation et la réparation à un plombier professionnel. Nous vous recommandons également d'utiliser uniquement des pièces de rechange authentiques Delta®.

Delta Faucet Company se dégage de toute responsabilité à l'égard des dommages causés au robinet en raison d'un mauvais usage, d'un usage abusif, de la négligence ou de l'utilisation d'une méthode d'installation, de maintenance ou de réparation incorrecte ou inadéquate, y compris les dommages résultant du non-respect des instructions de nettoyage et d'entretien applicables. Garantie limitée des robinets Delta® Pour obtenir des pièces de rechange, veuillez appeler au numéro applicable ci-dessous ou écrire à l'adresse applicable ci-dessous.

### Aux États-Unis et au Mexique :

Delta Faucet Company  
Product Service  
55 E. 111th Street  
Indianapolis, IN 46280 St.  
1-800-345-DELTA (3358)  
customerservice@deltafaucet.com

### Au Canada:

Masco Canada Limited, Plumbing Group  
Thechnical Service Centre  
350 South Edgware Road  
Thomas, Ontario, Canada N5P 4L1  
1-800-345-DELTA (3358)  
customerservice@mascocanada.com

La preuve d'achat (reçu original) du premier acheteur doit être présentée à Delta Faucet Company pour toutes les demandes en vertu de la garantie, sauf si le produit a été enregistré auprès de Delta Faucet Company. La présente garantie s'applique uniquement aux robinets Delta® fabriqués après le 1er janvier 1995 et installés aux États-Unis d'Amérique, au Canada et au Mexique. DELTA FAUCET COMPANY SE DÉGAGE DE TOUTE RESPONSABILITÉ À L'ÉGARD DES DOMMAGES PARTICULIERS, CONSÉCUTIFS OU INDIRECTS (Y COMPRIS LES FRAIS DE MAIN-D'OEUVRE) QUI POURRAIENT RÉSULTER DE LA VIOLATION D'UNE GARANTIE IMPLICITE OU EXPLICITE QUELCONQUE SUR LE ROBINET. Dans les États ou les provinces où il est interdit de limiter ou d'exclure la responsabilité à l'égard des dommages particuliers, consécutifs ou indirects, les limites et les exclusions susmentionnées ne s'appliquent pas.

La présente garantie vous donne des droits précis qui peuvent varier selon l'État ou la province où vous résidez. La présente garantie écrite est la garantie exclusive offerte par Delta Faucet Company et elle n'est pas transférable.

Si vous avez des questions ou des préoccupations en ce qui concerne notre garantie, veuillez consulter la page Warranty FAQs à [www.deltafaucet.com](http://www.deltafaucet.com), faire parvenir un courriel à [customerservice@deltafaucet.com](mailto:customerservice@deltafaucet.com) ou nous appeler au numéro applicable.

## Garantie Limitée sur les Robinets Ultra-Robustes Delta de la Série HDF

Toutes les pièces des robinets ultra-robustes Delta de la série HDF sont protégées contre les défauts du matériau et les vices de conception par une garantie qui est consentie au premier acheteur pour une période de cinq (5) ans. Cette garantie entre en vigueur à compter de la date d'achat indiquée sur le reçu de l'acheteur.

Pendant la période de garantie, Delta remplacera, SANS FRAIS, toute pièce présentant un défaut du matériau et (ou) un vice de fabrication pour autant que l'appareil ait été installé, utilisé et entretenu correctement. Pour obtenir des pièces de rechange, veuillez communiquer avec le distributeur ou le concessionnaire de votre région dont le nom figure dans l'annuaire téléphonique ou retourner la pièce défectueuse accompagnée du reçu de l'acheteur à notre usine, PORT PAYÉ, à l'adresse indiquée. LA PRÉSENTE GARANTIE EST LA SEULE GARANTIE IMPLICITE OFFERTE PAR DELTA. TOUTE RÉCLAMATION EN VERTU DE CETTE GARANTIE DOIT ÊTRE FAITE AU COURS DE LA PÉRIODE DE CINQ ANS SUSMENTIONNÉE. TOUTE GARANTIE IMPLICITE, Y COMPRIS LA GARANTIE IMPLICITE DE QUALITÉ MARCHANDE OU

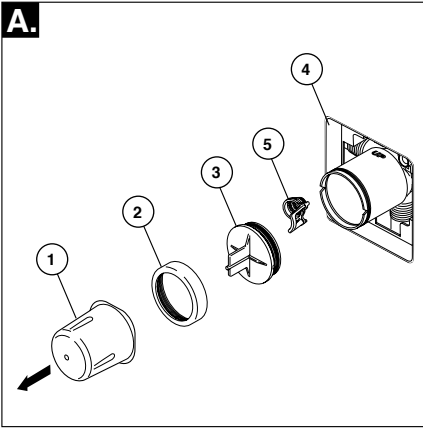
D'ADÉQUATION DU PRODUIT AVEC UN USAGE PARTICULIER, EST LIMITÉE À LA DURÉE DE LA PRÉSENTE GARANTIE. LES FRAIS DE MAIN-D'OEUVRE ET (OU) LES DOMMAGES PROVOQUÉS AU COURS DE L'INSTALLATION, DE LA RÉPARATION OU DU REMPLACEMENT D'UN ÉLÉMENT AINSI QUE LES PERTES OU LES DOMMAGES INDIRECTS EN RÉSULTANT NE SONT PAS COUVERTS PAR CETTE GARANTIE.

Là où il est interdit de limiter la durée de la garantie implicite ou les responsabilités à l'égard des dommages indirects, les exclusions et les limites susmentionnées ne s'appliquent pas.

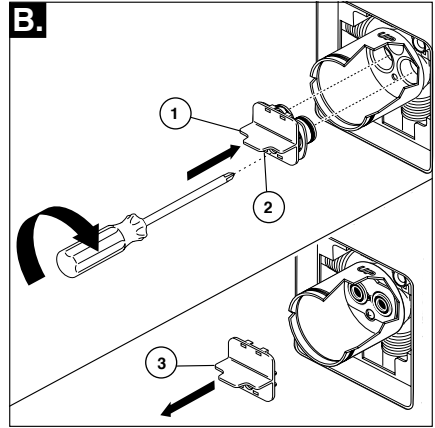
La présente garantie vous donne des droits précis qui peuvent varier selon votre lieu de résidence.

Les dommages résultant d'une mauvaise utilisation, d'une utilisation abusive, de la négligence, d'un accident, d'une mauvaise installation, du non respect de nos instructions ou de l'utilisation de pièces de rechange autres que des pièces d'origine Delta ne sont pas couverts par la garantie.

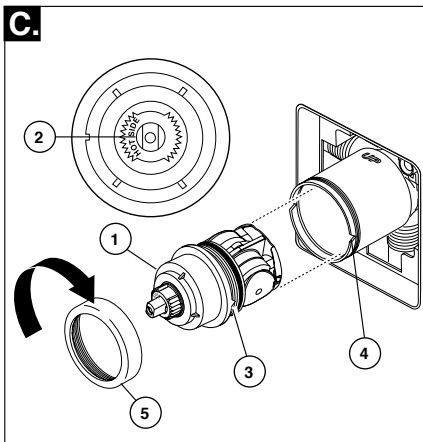
## 1 Installation de la cartouche.



**Interrompez l'arrivée d'eau.** Enlevez le couvercle (1), l'écrou à portée sphérique (2) et le capuchon d'essai (3) du corps. Si vous n'installez pas l'appareil dans une paroi mince, vous pouvez retirer le protecteur (4) complètement. Si l'écran (5) est en place, enlevez avant d'installer la cartouche.

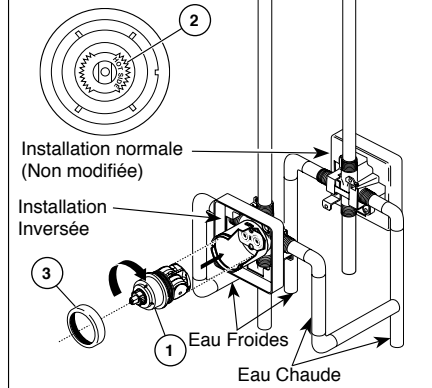


Introduisez l'adaptateur (1) dans le corps de la soupape. Assurez-vous que les joints toriques sont positionnés correctement dans les trous à la base du corps. Fixez l'adaptateur avec la vis (2) se trouvant dans celui-ci. Retirez la pièce de retenue (3) de l'adaptateur.



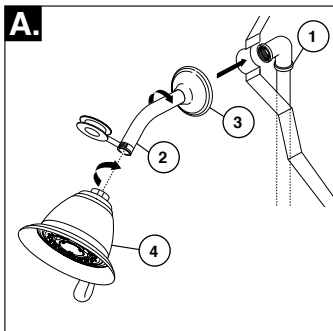
Tournez la cartouche (1) de sorte que la mention « HOT SIDE » (2) se trouve du côté gauche. Introduisez la cartouche dans le corps de la soupape. Assurez-vous que l'ergot (3) sur la cartouche est parfaitement engagé dans la rainure du corps en laiton (4). Faites glisser l'écrou à portée sphérique (5) sur la cartouche et vissez-le sur le corps. Serrez à la main fermement.

## Installation dos à dos



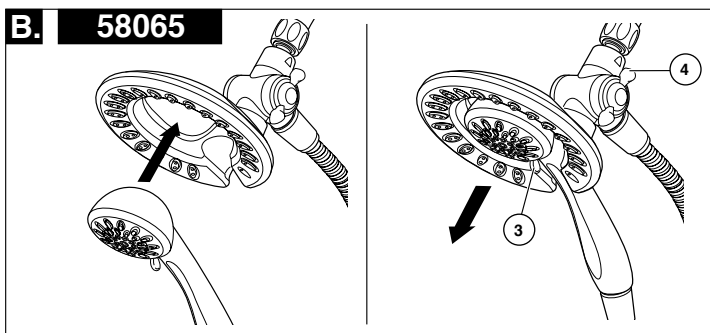
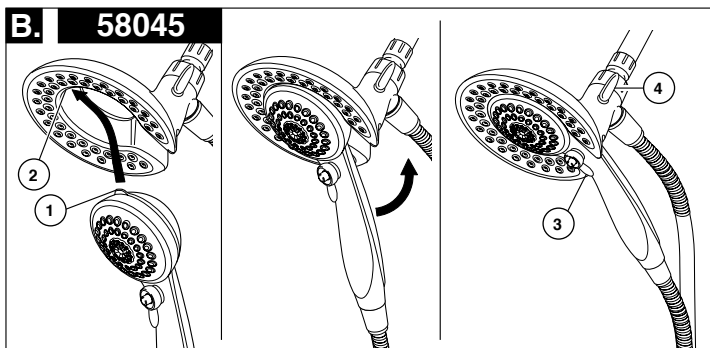
Dans le cas d'une installation dos à dos ou inversée (eau chaude à droite et eau froide à gauche) : Tournez la cartouche (1) de sorte que la mention « HOT SIDE » (2) se trouve du côté droit. Installez la cartouche en vous assurant que l'ergot est parfaitement engagé dans la rainure du corps en laiton. Faites glisser l'écrou à portée sphérique (3) sur la cartouche et vissez-le sur le corps. Serrez à la main fermement.

## 2 Installation de la pomme de douche et du bec de baignoire



### INSTALLATION DE LA POMME DE DOUCHE :

Raccordez la sortie supérieure (1) au tuyau d'alimentation de la pomme de douche (2) à l'aide des raccords appropriés. Pour éviter d'abîmer le fini du tuyau de la pomme de douche, introduisez le côté « mur » de celui-ci dans la collerette (3) avant de le visser dans le raccord du tuyau vertical. Appliquez du ruban de plomberie sur les filets. Vissez la pomme de douche (4) sur le tuyau. Appliquez du ruban de plomberie sur les filets. Prenez garde de serrer la pomme de douche excessivement.



**B. 58045:** Pour combiner les deux douches, introduisez la patte supérieure (1) de la douche à main dans la rainure (2) de la pomme de douche. Poussez la douche à main dans la pomme de douche jusqu'à ce que les deux éléments se bloquent ensemble et deviennent solidaires.

**58065:** Pour combiner les deux douches, poussez la douche à main dans la pomme de douche, tirez ensuite sur la douche à main pour la verrouiller avec la pomme de douche.

Si la pomme de douche bouge pendant que vous retirez la douche à main, serrez le raccord entre la pomme de douche et le bras de douche à la main.

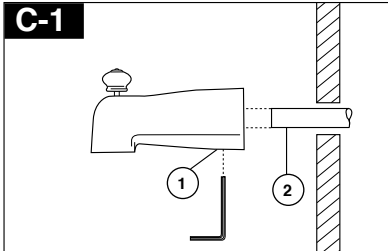
Pour changer le mode de pulvérisation, tournez la manette (3) vers la gauche ou la droite selon le réglage désiré. Utilisez le bouton (4) pour sélectionner les modes douche seulement, douche et douche à main ou douche à main seulement.

## 2

### Installation de la pomme de douche et du bec de baignoire

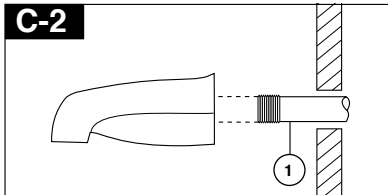
#### INSTALLATION DU BEC DE BAINOIRE :

Consultez les instructions d'installation fournies avec le bec. Ne raccordez pas à une soupape murale à un bec conçu pour être monté sur une page. Ne raccordez pas une douche à main à la sortie d'un robinet de baignoire-douche prévue pour un bec de baignoire. N'utilisez pas de tube PEX pour raccorder le bec.



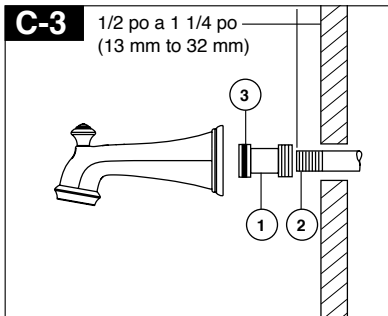
#### Installation d'un bec coulissant

Le tube de cuivre (1) doit avoir un diamètre nominal de 1/2 po. Important : Si vous devez couper le tube de cuivre, chanfreinez son extrémité de sorte qu'elle ne risque pas d'endommager le joint torique à l'intérieur du bec. Faites glisser le bec sur le tube de cuivre de sorte qu'il s'appuie contre la surface finie de la baignoire ou du mur. Serrez la vis de calage (2), mais prenez garde de la serrer excessivement.



#### Installation à l'aide d'un tuyau de fer

Installez le manchon fileté (1) 1/2 po (13 mm) de manière que sa saillie par rapport à la surface finie du mur. Appliquez du ruban de plomberie sur les filets du manchon et fixez celui-ci au bec de baignoire en vissant.

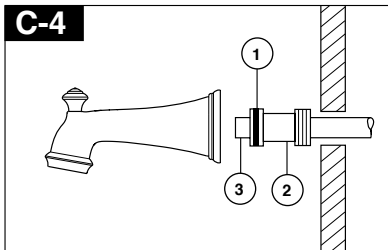


#### Installation sur un tuyau de fer

**Installation du bec de baignoire polyvalent easy-on**  
Installez le manchon fileté de manière qu'il présente une saillie de 1/2 à 1 1/4 po (13 mm à 32 mm) par rapport à la surface finie du mur.

Appliquez du ruban de plomberie ou du composé à filetage sur les filets. Montez l'adaptateur (1) sur le manchon (2) et serrez-le à la main. Finissez ensuite le serrage à l'aide d'une clé à tube pour rendre le joint étanche. Prenez garde d'abîmer le rainure du joint torique (3). Les dos de l'adaptateur (1) ne doit pas se trouver à plus de 1 pouce (25 mm) par rapport à la surface finie du mur.

Montez le bec de baignoire sur l'adaptateur (1) et serrez-le à la main en prenant soin de ne pas abîmer le joint torique (3).

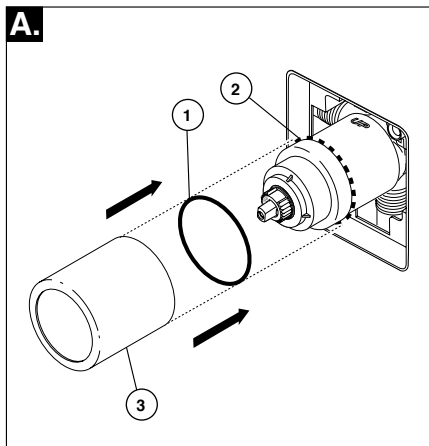


#### Installation à l'aide d'un tuyau de cuivre brasé

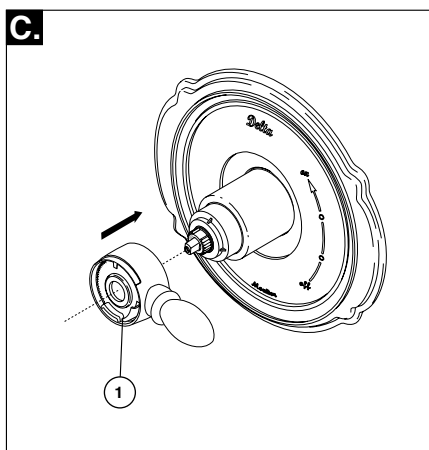
Retirez le joint torique (1) de l'adaptateur (2). Brasez l'adaptateur au tube en prenant garde d'échapper du métal d'apport dans la rainure pour le joint torique. ATTENTION : IL NE DOIT PAS Y AVOIR DE MÉTAL D'APPORT SUR LA CIRCONFÉRENCE EXTÉRIEURE DE L'ADAPTATEUR PRÈS DE LA RAINURE POUR LE JOINT TORIQUE. Coupez le tube (3) et remettez le joint torique en place dans la rainure de l'adaptateur en laiton. Vissez le bec de baignoire sur l'adaptateur et prenant garde d'abîmer le joint torique. Serrez le bec à la main jusqu'à ce qu'il s'appuie solidement contre la surface finie de la paroi et qu'il n'y ait plus de jeu derrière le mur.

# Installation

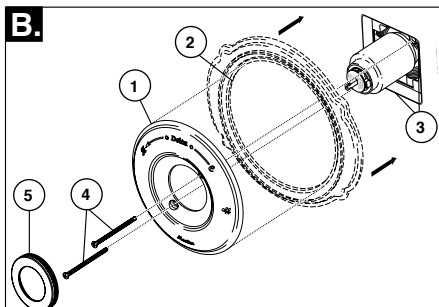
## 3 Installation des pièces de finition



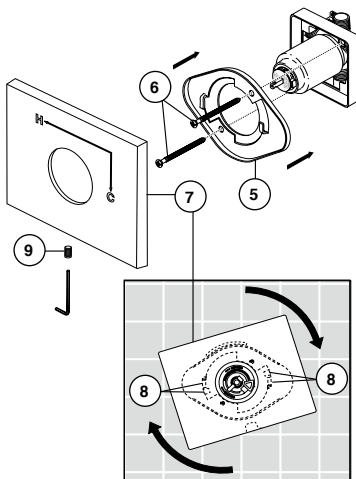
Faites glisser le joint torique (1) sur la cartouche et l'écrou à portée sphérique (2). Le joint sert de pièce d'espacement et il stabilise le manchon; il doit se trouver derrière l'écrou à portée sphérique. Faites glisser le manchon (3) sur la cartouche, le corps et le joint torique.



Installez la manette de réglage de débit (1) de manière qu'elle pointe vers la droite, puis placez-la en position d'ouverture. **NE LA FIXEZ PAS AVEC LA VIS.**



**Installation de la rosace pour les modèles T17053, T17253, T17453, T17067, T17267 et T17467.**



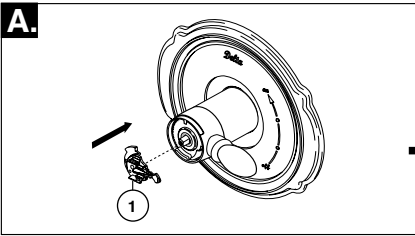
Fixez la rosace (1) et la plaque arrière (2) (si le modèle que vous installez en comporte une) sur le support (3) à l'aide des 2 vis fournies (4). Prenez garde de serrer les vis de la rosace excessivement. **Si vous installez Cassidy Modèles T17097, T17297 et T17497:** Enfilez le couvercle (5) sur l'écusson (1).

**Pour les modèles T17053, T17253, T17453 T17067, T17267 et T17467:**

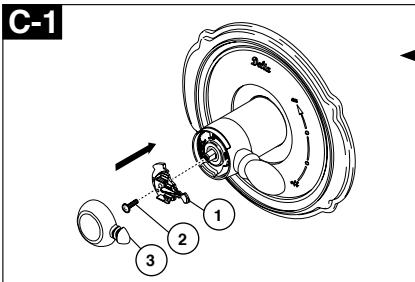
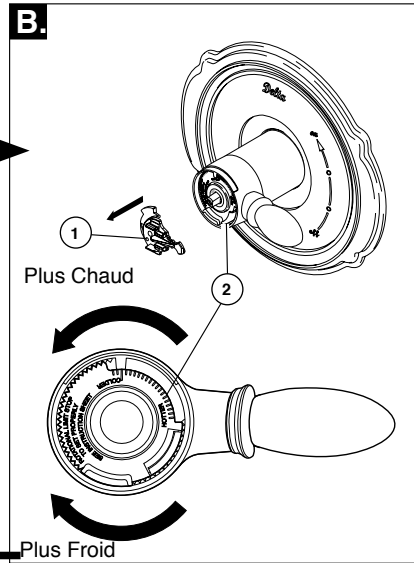
Montez la fixation (5) sur le corps de la cartouche à l'aide des 2 vis fournies (6). Installez la plaque de finition (7) en la plaçant sur la fixation comme le montre la figure et tournez-la pour bloquer les pattes (8). Fixez la plaque de finition à la fixation à l'aide de la vis de calage (9).



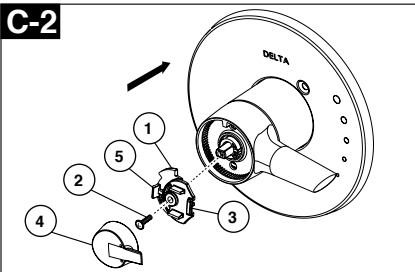
## 4 Installation et réglage de la butée anti-échaudage



Placez le bouton de réglage de température (1) sur la manette de réglage de débit et tournez-le jusqu'à la position de mélange (au besoin). NE LE FIXEZ PAS AVEC LA VIS. Rétablissez l'alimentation en eau. Laissez couler l'eau jusqu'à ce que l'eau froide soit aussi froide que possible et que l'eau chaude soit aussi chaude que possible. Mettez un thermomètre dans un gobelet en plastique, puis placez le gobelet sous le jet d'eau et attendez un peu. Notez la température de l'eau.



Fixez le bouton de réglage de température (1) avec la vis (2) et, en poussant fermement sur celui-ci, calez le couvercle (3) sur le bouton (1).



Fixez le bouton de réglage de température (1) avec la vis (2) et, accrocher avant ou poussant fermement sur calez le couvercle (3) sur bouton avant de engageant arrière bouton (1).

Si la température de l'eau sur le thermomètre est supérieure à 120 °F, retirez le bouton de réglage de température (1) et tournez la butée anti-échaudage (2) dans le sens horaire d'un cran par tranche de température d'environ 4 à 6 °F. Si l'eau n'est plus assez chaude, tournez la butée anti-échaudage dans le sens antihoraire.

**IMPORTANT:** La première position de la butée anti-échaudage est celle qui limite le plus la rotation de la tige; elle se trouve à l'extrémité de la plage dans le sens horaire. Selon les normes de l'industrie, la température maximale de l'eau à la sortie de la soupape ne doit pas dépasser 120 °F. La température peut varier selon la région. Le réglage de la butée anti-échaudage peut être modifié si la température de l'eau d'alimentation a changé. À titre d'exemple, la température de l'eau froide est plus basse en hiver, ce qui influence la température de l'eau à la sortie de la soupape. La température idéale de l'eau pour un bain ou une douche se situe entre 90 et 110 °F.

**5** La brûlure potentielle ou la blessure de choc thermique pourraient résulter du flux si la sortie à la douche est bloquée ou restreint (par exemple, le contrôle de pause sur douche). Assurez-vous de diriger la douche loin de vous en reprenant le flux ou installer des valves de contrôle d'admission sur les deux conduites d'alimentation pour empêcher la blessure possible.

## Instructions de nettoyage

Il faut le nettoyer avec soin. Même si son fini est extrêmement durable, il peut être abîmé par des produits fortement abrasifs ou des produits de polissage. Il faut simplement le frotter doucement avec un chiffon humide et le sécher à l'aide d'un chiffon doux.

**AVERTISSEMENT: N'employez pas le nettoyeur pour salle de bain Scrubbing Bubbles® ni le Nettoyeur de Lavabos,**

**de Baignoires et de Carreaux Lysol®** sur les manettes et les poignées sphériques transparentes. Ces produits peuvent faire fissurer les poignées et les manettes ou les abîmer gravement. Si ces poignées ou ces manettes sont aspergées accidentellement par l'un ou l'autre des produits mentionnés, les essuyer immédiatement à l'aide d'un chiffon de coton doux.

## Maintenance

**Le robinet fuit par le bec ou la pomme de douche. COUPER L'EAU.**  
Remplacer la cartouche RP46463 ou RP32104  
Voir les conseils 1, 2, 3, et 4.

### Conseils:

1. Avant d'enlever la cartouche de la soupape aux fins d'entretien, prenez note de la position de la butée de température maximale sur le chapeau. La cartouche doit toujours être reposée dans la même position. **NE PAS PRENDRE DE RISQUES INUTILEMENT.** Une fois l'installation terminée, ouvrir le robinet pour s'assurer que **L'EAU FROIDE S'ÉCOULE EN PREMIER.**

2. Pour déposer la cartouche du corps, couper l'eau, puis retirer la poignée et le chapeau fileté. Ne pas utiliser un tournevis comme levier pour extraire la cartouche. Placer la poignée sur la tige et la tourner dans le sens antihoraire d'environ 1/4 de tour après contact des butées. Soulever la cartouche pour la retirer du corps.

Enlever les sièges et les ressorts, puis les reposer. Placer d'abord l'extrémité du ressort du plus grand diamètre dans le logement du siège, puis abaisser l'extrémité conique du siège sur le ressort. Remonter la cartouche et la reposer dans le corps conformément aux instructions figurant en "1" ci-dessus.

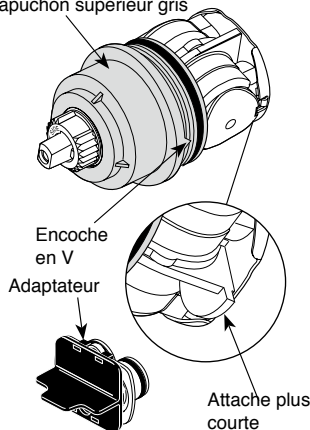
3. Si l'eau d'alimentation du robinet à équilibrage de pression renferme du calcaire, du fer, du sable ou d'autres corps étrangers, celui-ci doit faire l'objet d'inspections périodiques. La fréquence des inspections dépend de la quantité de corps étrangers dans l'eau. Pour inspecter la cartouche, la déposer et suivre les instructions de la note 1 ci-dessus. Ouvrir la soupape en position de plein mélange et secouer la cartouche vigoureusement. Si des cliquetis se font entendre, le composant est en bon état et peut être reposé conformément aux instructions de la note 1 ci-dessus. Si on n'entend pas de cliquetis, remplacer le boîtier.

## Fiche de référence sommaire de la cartouche

### Unités expédiées en Mars 2006 et après.

17

Capuchon supérieur gris

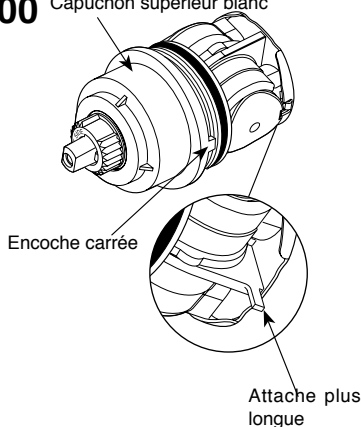


Commandez le kit RP46463 pour remplacer la cartouche.

### Unités expédiées avant Mars 2006.

1700

Capuchon supérieur blanc



Commandez le kit RP32104 pour remplacer la cartouche.

**For illustrative purposes, the replacement parts for the 17 Series Classic Collection are shown on the following page. For replacement parts on all other collections, please refer to the parts diagrams available on [www.deltafaucet.com](http://www.deltafaucet.com).**

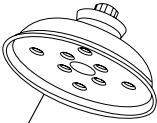
---

**Para los fines ilustrativos, las piezas de repuesto para la Colección Clásica de la Serie 17 se muestran en la siguiente página. Para las piezas de repuesto sobre todas las demás colecciones, por favor refiérase a los diagramas de piezas disponibles en [www.deltafaucet.com](http://www.deltafaucet.com).**

---

**A des fins d'illustrations, les pièces de rechange de la Collection Série Classique 17 sont montrées sur la page suivante. Pour les pièces de rechange de toutes les autres collections, veuillez vous référer aux diagrammes des pièces sur [www.deltafaucet.com](http://www.deltafaucet.com).**

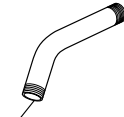
# T17030, T17130, T17230, T17230-H2O, T17430 & T17430-H2O Models / Modelos / Modèles



**RP70173 ▲**  
Showerhead  
Cabeza de Rogadora  
Pomme de Douche



**RP43381 ▲**  
Showerhead  
Cabeza de Rogadora  
Pomme de Douche



**RP6023 ▲**  
Shower Arm  
Brazo de la Rogadora  
Tuyau de Pomme de Douche



**RP6025 ▲**  
Shower Flange  
Pestaña de la Rogadora  
Collerette

▲ Specify Finish  
Especifique el Acabado  
Précisez le Fini

† Designates the accent color on split finish models.

† Designa el color para acentuar los modelos con acabados divididos.

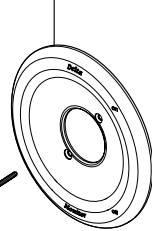
† Désigne la couleur contrastante sur les modèles à deux finis

**RP196 ▲**  
Trim Screws/Atornillos de Franja/Vis de Finition

**RP12630 ▲**  
For Longer Screws  
Para Tornillos Más Grandes  
Pour Vis Plus Longues

\* **RP46463**  
Cartridge Assembly  
Cartucho  
Cartouche

**RP28795 ▲**  
Escutcheon  
Roseta  
Rosace avec Orifice



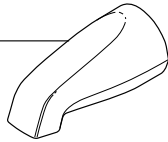
**RP23336**  
O-Ring  
Anillo "O"  
Joint Torique

**RP50880 ▲ †**  
Trim Sleeve  
Manga de Franja  
Manchon de Finition

**RP32105**  
Screw/Tornillo/Vis  
**NOTE:** Do NOT overtighten screw.  
**NOTA:** NO apriete demasiado el tornillo.  
**NOTE:** NE serrez PAS trop la vis.

**RP32102**  
Rotational Limit Stop  
Tope para Limitar  
Butée Rotative

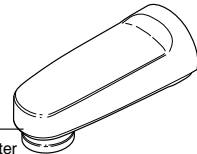
**RP5833 ▲**  
(Metal/Metálico/Métal)  
Tub Spout/Non Diverter  
Tubo de Salida para Bañera/  
Sin Desviador  
Bec/Sans Dérivation



**RP73643 ▲**  
Handle Assembly  
Ensamble de la Manija  
Poignée

**RP73642 ▲**  
Temperature Knob and Cover  
Perilla de la Temperatura y Cubierta  
Poignée de Réglage de Température

**RP17453**  
**RP17454 ▲**  
Tub Spout/Pull-Down Diverter  
Tubo de Salida para Bañera/  
Desviador de Halar  
Bec/Avec Dérivation sur Embout



★ Refer to page 8 for more information. / Consultez con la página 8 para más información. / Pour obtenir de plus amples renseignements, reportez-vous à la page 8.

**Notes / Notas / Notes**



Delta Faucet Company  
Product Service  
55 E. 111th Street  
Indianapolis, IN 46280

---