



see what Delta can do™

107528



X00107528

MultiChoice® Valve Trim Installation Instructions

Owners Manual

13/14 Series

Write purchased model number here.

You May Need

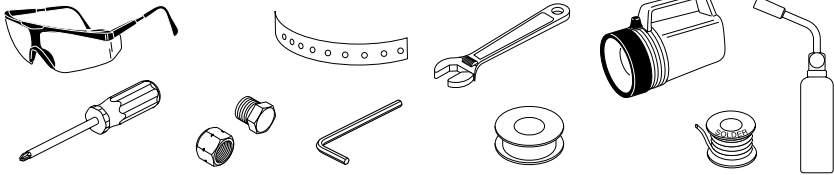


Table of Contents:

Warranties	Page 2
Installation Instructions	Pages 3 - 12
Clean and care	Page 12
Maintenance	Page 12
Cartridge Summary Reference Sheet	Page 13

For additional replacement parts, visit www.deltafaucet.com

CAUTION: This system/device must be set by the installer to ensure safe, maximum temperature. Any change in the setting may raise the discharge temperature above the limit considered safe and may lead to hot water burns.

NOTICE TO INSTALLER: CAUTION! – As the installer of this valve, it is your responsibility to properly **INSTALL** and **ADJUST** this valve per the instructions given. This valve does not automatically adjust for inlet temperature changes, therefore, someone must make the necessary Rotational Limit Stop adjustments at the time of installation and further adjustments may be necessary due to seasonal water temperature change. **YOU MUST** inform the owner/user of this requirement by following the instructions. If you or the owner/user are unsure how to properly make these adjustments please refer to page 6 and if still uncertain, call us at 1-800-345-DELTA.

After installation and adjustment, you must affix your name, company name and the date you adjusted the Rotational Limit Stop to the caution

label provided and apply or attach the label to the back side of the closest cabinet door and the warning label to the water heater. **Leave this Instruction Sheet for the owner's/user's reference.**

WARNING: This pressure balanced or thermostatic bath valve is designed to minimize the effects of outlet water temperature changes due to inlet pressure changes, commonly caused by dishwashers, washing machines, toilets and the like. It may not provide protection from hot water burns when there is a failure of other temperature controlling devices elsewhere in the plumbing system, if the rotational limit stop is not properly set or if the hot water temperature is changed after the settings are made or if the water inlet changes due to seasonal changes.

WARNING: Do not install a shut-off device on either outlet of this valve. When this type of device shuts off the water flow, it can defeat the ability of the valve to balance the hot and cold water pressures.

Limited Warranty on Delta® Faucets

Parts and Finish. All parts (other than electronic parts and batteries) and finishes of this Delta® faucet are warranted to the original consumer purchaser to be free from defects in material and workmanship for as long as the original consumer purchaser owns the home in which the faucet was first installed. For commercial purchasers, the warranty period is ten (10) years for multi-family residential (apartments and condominiums) and five (5) years for all other commercial uses, in each case from the date of purchase.

Electronic Parts and Batteries (if applicable). Electronic parts (other than batteries), if any, of this Delta® faucet are warranted to the original consumer purchaser to be free from defects in material and workmanship for five (5) years from the date of purchase or, for commercial purchasers, for one (1) year from the date of purchase. No warranty is provided on batteries.

What We Will Do. Delta Faucet Company will repair or replace, free of charge, during the applicable warranty period (as described above), any part or finish that proves defective in material and/or workmanship under normal installation, use and service. If repair or replacement is not practical, Delta Faucet Company may elect to refund the purchase price in exchange for the return of the product. **These are your exclusive remedies.**

What Is Not Covered. Any labor charges incurred by the purchaser to repair, replace, install or remove this product are not covered by this warranty. Delta Faucet Company shall not be liable for any damage to the faucet resulting from reasonable wear and tear, outdoor use, misuse (including use of the product for an unintended application), freezing water, abuse, neglect or improper or incorrectly performed installation, maintenance or repair, including failure to follow the applicable care and cleaning instructions. Delta Faucet Company recommends using a professional plumber for all installation and repair of faucets. We also recommend that you use only genuine Delta® replacement parts.

What You Must Do To Obtain Warranty Service or Replacement Parts. A warranty claim may be made and replacement parts may be obtained by calling 1 800 345 DELTA (3358) or by contacting us by mail or online as follows (please include your model number and date of purchase):

In the United States and Mexico:

Delta Faucet Company
55 E 11th Street
Indianapolis, IN 46280
Attention: Warranty Service
www.deltafaucet.com/service-parts/contact-us

In Canada:

Masco Canada Limited, Plumbing Group
Technical Service Centre
350 South Edgeware Road
St. Thomas, Ontario, Canada N5P 4L1
Attention: Customer Service
<http://www.deltafaucet.ca/customersupport/assistance.html>

Proof of purchase (original sales receipt) from the original purchaser must be made available to Delta Faucet Company for all warranty claims unless the purchaser has registered the product with Delta Faucet Company. This warranty applies only to Delta® faucets manufactured after January 1, 1995 and installed in the United States of America, Canada and Mexico.

Limitation on Duration of Implied Warranties. TO THE EXTENT PERMITTED BY LAW, ANY IMPLIED WARRANTY, INCLUDING THE IMPLIED WARRANTIES OF MERCHANTABILITY AND OF FITNESS FOR A PARTICULAR PURPOSE, IS LIMITED TO THE STATUTORY PERIOD OR THE DURATION OF THIS WARRANTY, WHICHEVER IS SHORTER. Some states/provinces do not allow limitations on how long an implied warranty lasts, so the above limitation may not apply to you.

Limitation of Special, Incidental or Consequential Damages. DELTA FAUCET COMPANY SHALL NOT BE LIABLE FOR ANY SPECIAL, INCIDENTAL OR CONSEQUENTIAL DAMAGES (INCLUDING LABOR CHARGES TO REPAIR, REPLACE, INSTALL OR REMOVE THIS PRODUCT), WHETHER ARISING OUT OF BREACH OF ANY EXPRESS OR IMPLIED WARRANTY, BREACH OF CONTRACT, TORT, OR OTHERWISE. DELTA FAUCET COMPANY SHALL NOT BE LIABLE FOR ANY DAMAGE TO THE FAUCET RESULTING FROM REASONABLE WEAR AND TEAR, OUTDOOR USE, MISUSE (INCLUDING USE OF THE PRODUCT FOR AN UNINTENDED APPLICATION), FREEZING WATER, ABUSE, NEGLIGENCE OR IMPROPER OR INCORRECTLY PERFORMED INSTALLATION, MAINTENANCE OR REPAIR, INCLUDING FAILURE TO FOLLOW THE APPLICABLE INSTALLATION, CARE AND CLEANING INSTRUCTIONS. Some states/provinces do not allow the exclusion or limitation of special, incidental or consequential damages, so the above limitations and exclusions may not apply to you. Notice to residents of the State of New Jersey: The provisions of this warranty, including its limitations, are intended to apply to the fullest extent permitted by the laws of the State of New Jersey.

Additional Rights. This warranty gives you specific legal rights, and you may also have other rights which vary from state/province to state/province.

This is Delta Faucet Company's exclusive written warranty and the warranty is not transferable.

If you have any questions or concerns regarding our warranty, please contact us as provided above or view our Warranty FAQs at www.deltafaucet.com.

© 2020 Delta Faucet Company

Delta HDF Limited Warranty

All parts of the Delta HDF faucet are warranted to the original consumer purchaser to be free from defects in material and workmanship for a period of five (5) years. This warranty is made to the original consumer purchaser and shall be effective from date of purchase as shown on purchaser's receipt.

Delta will replace, FREE OF CHARGE, during the warranty period, any part which proves defective in material and/or workmanship under normal installation, use and service. Replacement parts can be obtained from your local dealer or distributor listed in the telephone directory or by returning the part along with the purchaser's receipt to our factory, TRANSPORTATION CHARGES PREPAID, at the address listed. THIS WARRANTY IS THE ONLY EXPRESS WARRANTY MADE BY DELTA. ANY CLAIMS MADE UNDER THIS WARRANTY MUST BE MADE DURING THE FIVE YEAR PERIOD REFERRED TO ABOVE. ANY IMPLIED WARRANTIES, INCLUDING THE IMPLIED WARRANTY OF MERCHANTABILITY OR FITNESS FOR A

PARTICULAR PURPOSE, ARE LIMITED IN DURATION TO THE DURATION OF THIS WARRANTY. LABOR CHARGES AND/OR DAMAGE INCURRED IN INSTALLATION, REPAIR OR REPLACEMENT AS WELL AS INCIDENTAL AND CONSEQUENTIAL DAMAGES CONNECTED THEREWITH ARE EXCLUDED AND WILL NOT BE PAID BY DELTA.

Some states do not allow limitations on how long an implied warranty lasts, or the exclusion or limitation of incidental or consequential damages, so the above limitations or exclusions may not apply to you.

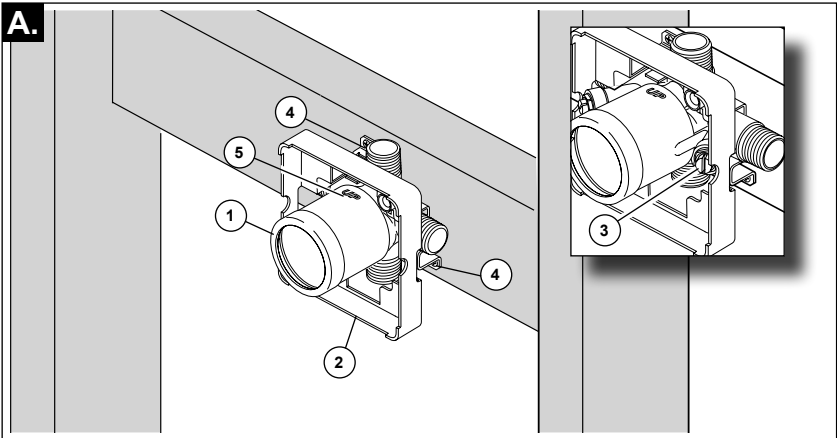
This warranty gives you specific legal rights, and you may also have other rights which vary from state to state.

This warranty is void for any damage to this faucet due to misuse, abuse, neglect, accident, improper installation, any use violative of instructions furnished by us or any use of replacement parts other than genuine Delta parts.

© 2020 Delta Faucet Company

1

MultiChoice® Rough-In Installation (When your product requires)



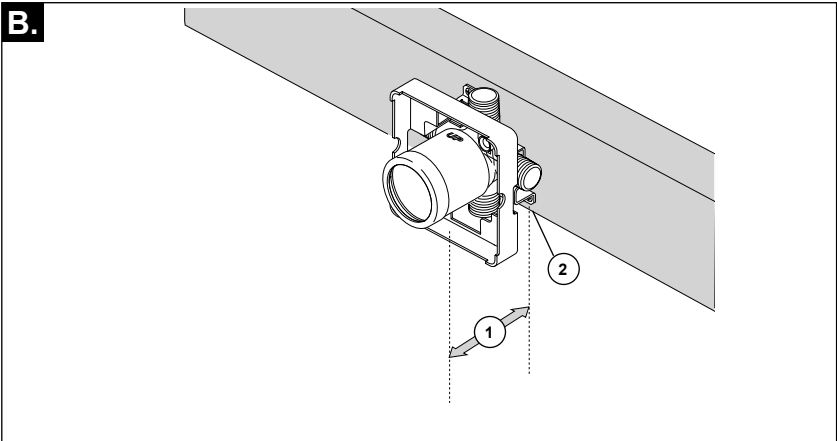
SHUT OFF WATER SUPPLIES.

Consider the type and thickness of your finished wall before placing your stringer back plate.

- Install the body (1) so the surface of the finished wall is flush with the front of the plasterguard (2) $\pm 3/8"$. **Note: For models with stops (3), plasterguard must be flush or subflush $3/8"$ to**

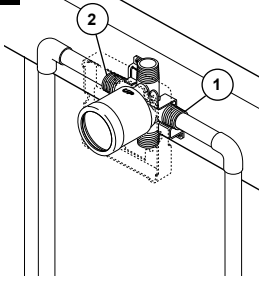
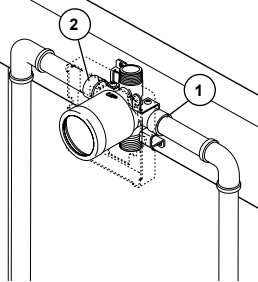
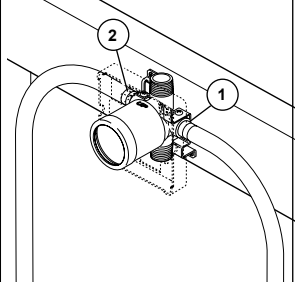
finished wall.

- Mount body using the two stringer mounting holes (4) on the bracket.
- Make sure the word "UP" (5) is on top of the valve body when installing.



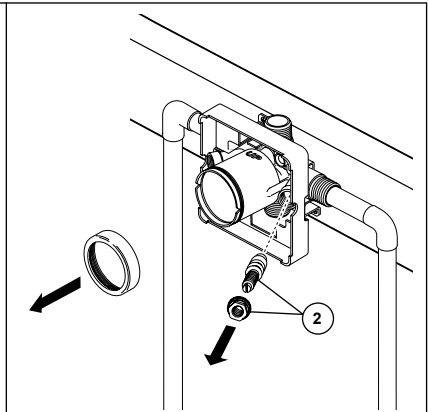
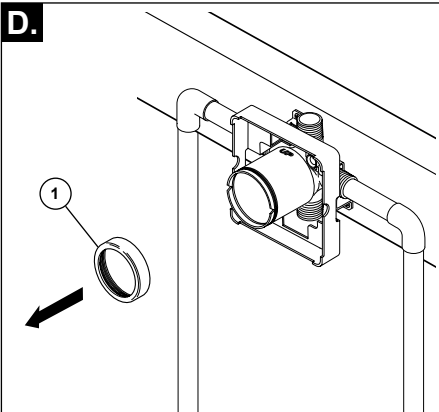
Distance (1) from the stringer (2) to the front of the plasterguard is 2.8" (71 mm).

If a thin wall is used, be sure to have the plasterguard behind the wall, otherwise the wall should always be flush with the front of the plasterguard. See instruction on the bag for thin wall mounting.

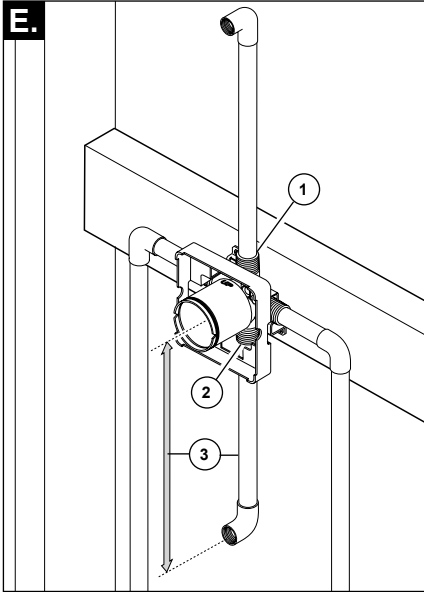
C.**Copper Tubing****Iron Pipe****Pex**

- Connect valve body to water supplies using the proper fittings for your valve body type (copper tubing, iron pipe or Pex). **Note: (1) is the cold inlet port and (2) is the hot inlet port.**
- If either of the two outlet ports is to be unused, seal the port with a pipe plug.

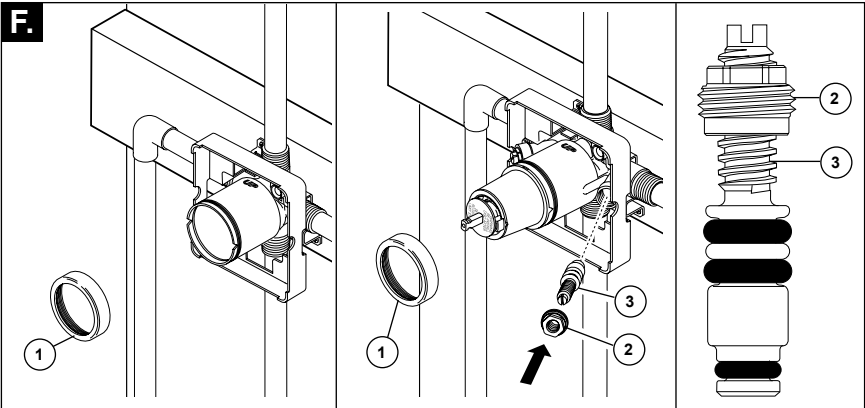
If you are making a BACK TO BACK OR REVERSE INSTALLATION (hot on right and cold on left) install the valve body as described, but the water supply lines will be reversed. **Note: (1) is the hot inlet port and (2) is the cold inlet port.**

D.

- Remove bonnet (1).
NOTICE: Avoid soldering at high temperatures. Components of the rough could become damaged.
- Be sure stops (2) are removed from the w/stops version before soldering. Do not install stops before soldering.

E.

- Connect top outlet (1) to shower pipe with proper fittings.
- Connect bottom outlet (2) to tub spout pipe with proper fittings.
- Pipe (3) between valve body and tub spout must be a minimum of 1/2" (13 mm) copper pipe or 1/2" (13 mm) iron pipe in a **straight** drop no less than 8" (203 mm) but no more than 18" (457 mm) long with only **one** iron pipe or copper 90 degree elbow to the tub spout nipple. **Do not use PEX tubing for tub spout drop.**

F.

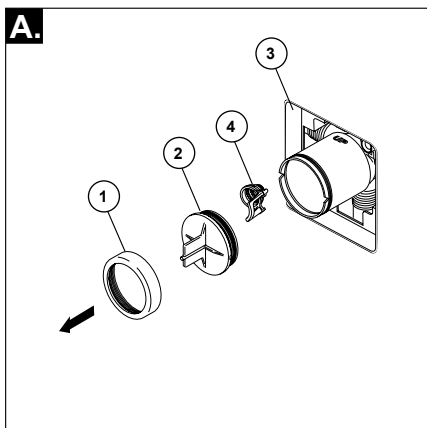
PRESSURE TESTING & FLUSHING THE INSTALLATION

- To flush the system of debris, remove bonnet nut (1).
- Prepare the area for water spray.
- Slowly turn on the water supplies to purge the system for 30 seconds.
- After flushing, install the cartridge and bonnet nut.
- Turn cartridge stem counter clockwise until it stops.

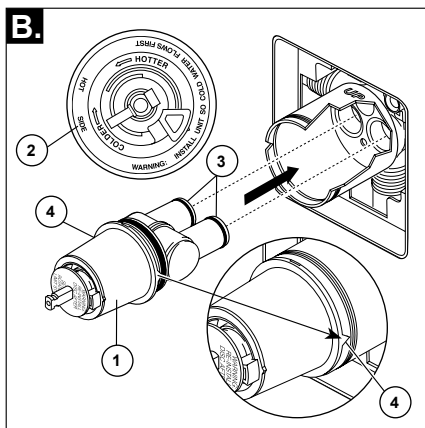
FOR MODELS WITH STOPS, install the stops but leave them full open. Install stops as follows:

- Thread nut (2) onto stem (3) as shown. Then press stem and nut assembly into body and tighten using a 3/8", 6 point, deep well socket. With a flat head screwdriver, adjust stem clockwise to close and counterclockwise to open.
- Plug the tub spout and/ or shower outlet(s) with the appropriate fitting for your piping.
- Test for leaks.
- After testing, turn off the valve by rotating the cartridge stem fully clockwise.

2 Cartridge Installation



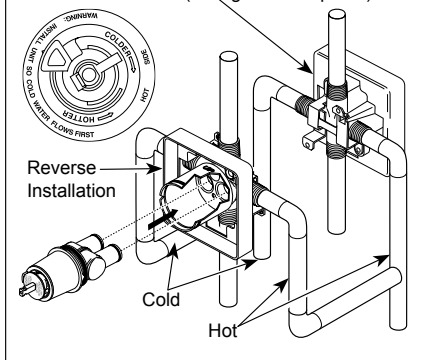
Turn off water supplies. Remove bonnet nut (1) and test cap (2) from the body. If this is not a thin wall mounting, the entire plasterguard (3) may be removed. If screen (4) is in place, remove before installing cartridge.



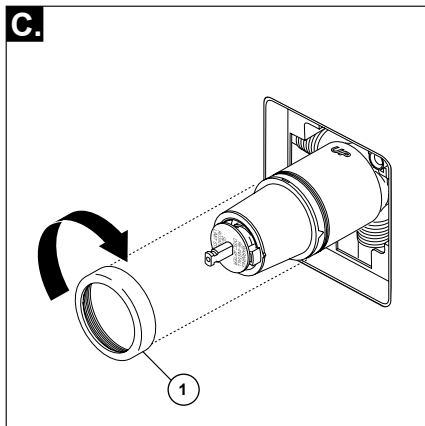
Rotate the cartridge (1) so the words "hot side" (2) appear on the left. Insert cartridge into valve body as shown. Make sure the cartridge tubes and O-rings (3) are properly seated in holes at the base of the body. Ensure the keys on the body are fully engaged with the slots in the body (4).

Back to back Installation

Normal Installation (changes not required)

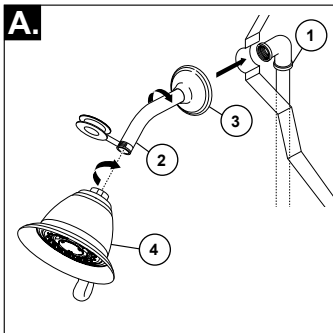


For back to back or reverse installations (hot on right and cold on left) insert the cartridge with the "hot side" on the right. If you are not making a reverse or back to back installation skip this step and continue with step 2C.

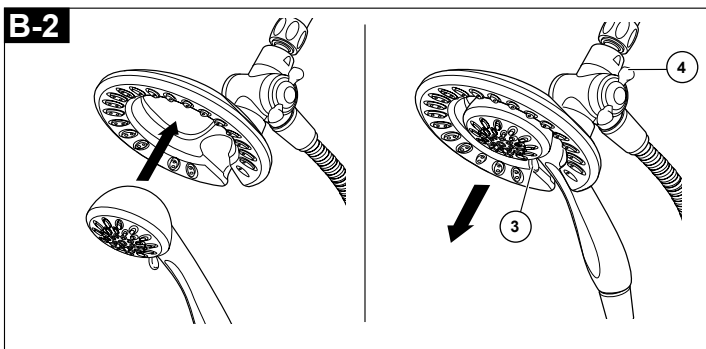
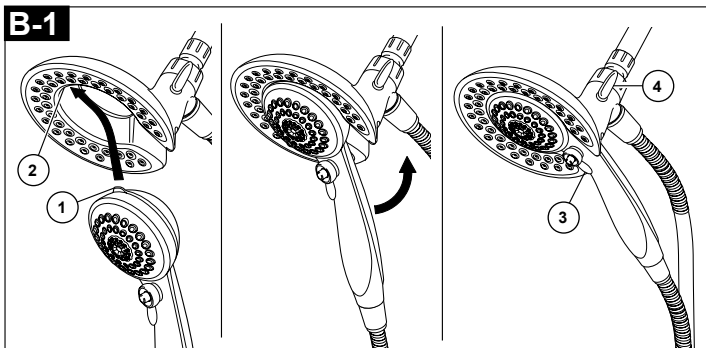


Slide bonnet nut (1) over the cartridge and thread onto the body. Hand tighten securely.

3 Shower Head and Tub Spout Installation



FOR SHOWER HEAD INSTALLATION: Connect top outlet (1) to shower arm (2) with proper fittings. To prevent damage to finish on shower arm, insert wall end of shower arm into shower flange (3) before screwing arm into riser connection. Thread shower head (4) onto shower arm. Apply plumber tape to pipe threads on both ends. Do not overtighten shower head.



B-1: To combine the two showers, insert the top tab (1) on the hand shower into the slot (2) of the shower head. Push the hand shower into the shower head until the two parts snap together.

B-2: To combine the two showers, push the hand shower into the shower head, then pull down on the hand shower until locked with the shower head. If the shower head moves when removing the hand shower, hand tighten the connection between the shower head and the shower arm.

To change spray modes, turn the lever (3) left or right to the desired setting. Turn knob (4) to change between shower head only, shower head and hand shower or hand shower only.

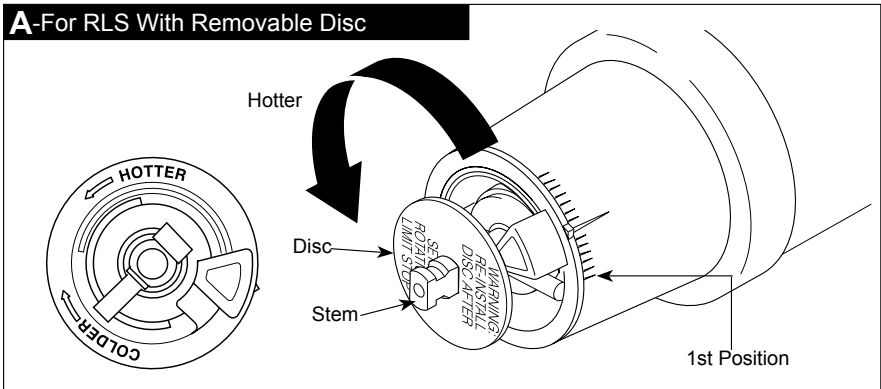
FOR TUB SPOUT INSTALLATION:

Refer to the installation instructions supplied with your spout. Do not connect deck mount spouts to in-wall valves. Do not use hand showers connected in lieu of a tub spout to a tub/shower valve. Do not use PEX tubing for tub spout drop.

4

Adjusting the Rotational Limit Stop

A-For RLS With Removable Disc



IMPORTANT:

The Rotational Limit Stop is used to limit the amount of hot water available such that, if set properly, the user will not be scalded if the handle accidentally is rotated all the way to “hot” when a person is showering or filling a tub. The first position allows the **LEAST** amount of hot water to mix with the cold water in the system. In the first position the water will be the coldest possible when the handle is turned all the way to hot. As you move the Rotational Limit Stop counterclockwise, you progressively add more and more hot water in the mix. The last position to the left will result in the greatest amount of hot water to the mix, and the greatest risk of scald injury if someone accidentally turns the valve handle all the way to the hot side while showering or filling a tub.

WARNING: In some instances, setting the Rotational Limit Stop in the hottest position (full counterclockwise) could result in scald injury. It is necessary to adjust the Rotational Limit Stop so that the water coming out of the valve will not scald the user when the handle of the valve is rotated to the hot side.

- According to the majority of industry standards, the maximum allowable temperature of the water exiting the valve is 120°F (Your local plumbing codes may require a water temperature less than 120°F).
- The Rotational Limit Stop may need to be re-adjusted seasonally if the inlet water temperature changes. For example, during the winter, the cold water temperature is colder than it is during the summer which could result in varying outlet temperatures. A water temperature for

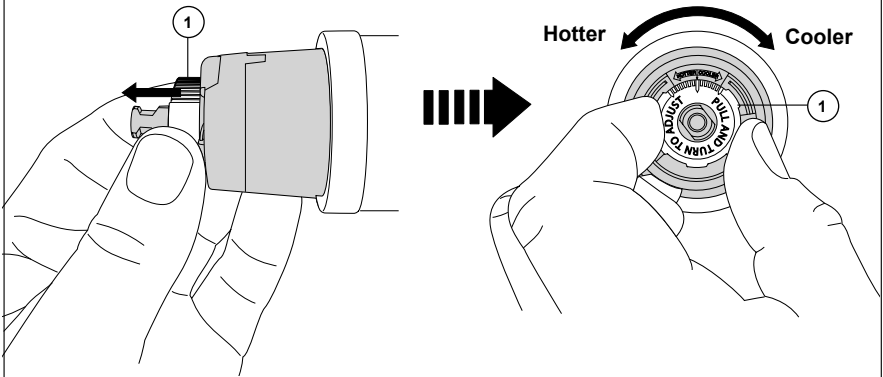
a comfortable bath or shower is typically between 90°F - 110°F.

- Run the water so that the cold water is as cold as it will get and hot water is as hot as it will get. Place the handle on the stem (see page 8, step 4C) and rotate the handle counterclockwise until the handle stops.
- Place a thermometer in a plastic tumbler and hold in the water stream. If the water temperature is above 120°F, the Rotational Limit Stop must be repositioned clockwise to decrease valve outlet water temperature to be less than 120°F or to meet the requirements of your local plumbing codes.
- To adjust the temperature of the water coming out of the valve, pull the disc back to a position where it is possible to remove the Rotational Limit Stop and readjust the teeth engagement position to the desired temperature. Clockwise will decrease the outlet temperature, counterclockwise will increase the outlet temperature. Temperature change per tooth (notch) could be 4° - 16°F based on inlet water conditions. Repeat as necessary. Push disc until fully seated.

WARNING: Failure to re-install Disc after setting Rotational Limit Stop could result in scald injury.

- **MAKE SURE COLD WATER FLOWS FROM THE VALVE FIRST. MAKE SURE WATER FLOWING FROM THE VALVE AT THE HOTTEST FLOW POSSIBLE DOES NOT EXCEED 120°F OR THE MAXIMUM ALLOWED BY YOUR LOCAL PLUMBING CODE.**

B-For RLS With Pull/Turn Adjustment



IMPORTANT:

The Rotational Limit Stop is used to limit the amount of hot water available such that, if set properly, a scald injury is less likely to occur if the handle accidentally is rotated all the way to “hot” when a person is showering or filling a tub. The first position allows the **LEAST** amount of hot water to mix with the cold water in the system. In the first position the water will be the coldest possible when the handle is turned all the way to hot. As you move the Rotational Limit Stop counterclockwise, you progressively add more and more hot water in the mix. The last position to the left will result in the greatest amount of hot water to the mix, and the greatest risk of scald injury if someone accidentally turns the valve handle all the way to the hot side while showering or filling a tub.

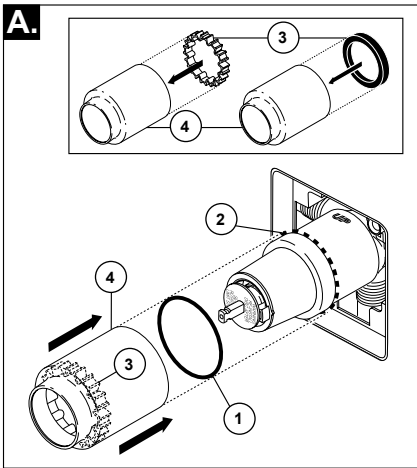
WARNING: In some instances, setting the Rotational Limit Stop in the hottest position (full counterclockwise) could result in scald injury. It is necessary to adjust the Rotational Limit Stop so that the water coming out of the valve will not scald the user when the handle of the valve is rotated to the hot side.

- According to the majority of industry standards, the maximum allowable temperature of the water exiting the valve is 120°F (Your local plumbing codes may require a water temperature less than 120°F).
- The Rotational Limit Stop may need to be re-adjusted seasonally if the inlet water temperature changes. For example, during the winter, the cold water temperature is colder than it is during the summer which could result in varying outlet temperatures. A water temperature for

a comfortable bath or shower is typically between 90°F - 110°F.

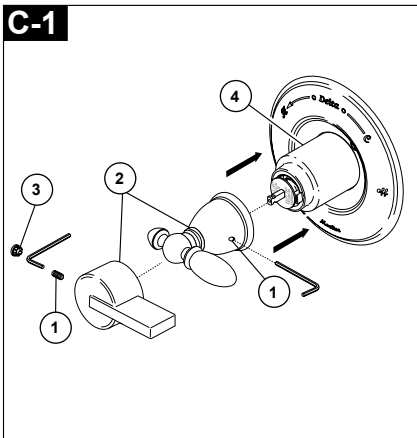
- Run the water so that the cold water is as cold as it will get and hot water is as hot as it will get. Place the handle on the stem (see page 8, step 4C) and rotate the handle counterclockwise until the handle stops.
- Place a thermometer in a plastic tumbler and hold in the water stream. If the water temperature is above 120°F, the Rotational Limit Stop must be repositioned clockwise to decrease valve outlet water temperature to be less than 120°F or to meet the requirements of your local plumbing codes.
- To adjust the temperature of the water coming out of the valve, pull the white Rotational Limit Stop (1) outward and rotate. Clockwise rotation will decrease the outlet temperature, counterclockwise rotation will increase the outlet temperature. Temperature change per tooth (notch) could be 4° - 16°F based on inlet water conditions. Repeat as necessary. When finished, make sure that the Rotational Limit Stop is fully retracted into the seated position. **WARNING: Do not take the Rotational Limit Stop apart.**
- **MAKE SURE COLD WATER FLOWS FROM THE VALVE FIRST. MAKE SURE WATER FLOWING FROM THE VALVE AT THE HOTTEST FLOW POSSIBLE DOES NOT EXCEED 120°F OR THE MAXIMUM ALLOWED BY YOUR LOCAL PLUMBING CODE.**

5 Trim Installation

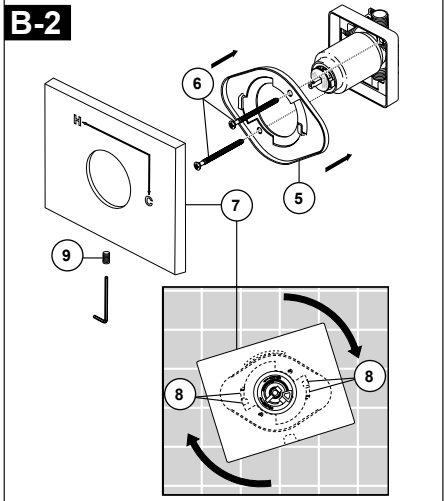
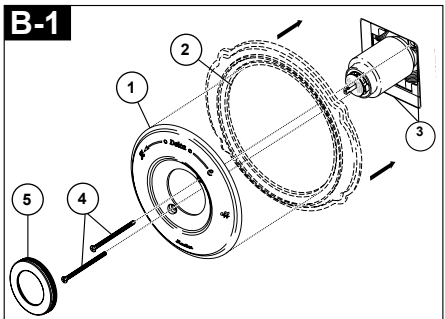


Slide O-ring (1) over cartridge and the bonnet nut (2). The O-ring, which acts as a spacer to steady the sleeve, should rest behind the bonnet nut.

If your model requires a spacer (3), insert it into the sleeve (4) and push it to the front. Slide the sleeve over the cartridge, body and O-ring.



Using an Allen wrench to secure the set screw (1), install the handle (2) onto the stem and tighten set screw. Insert plug button (3) (if your model has one) into set screw hole. Adjust the sleeve (4) to minimize the gap between the sleeve & handle.

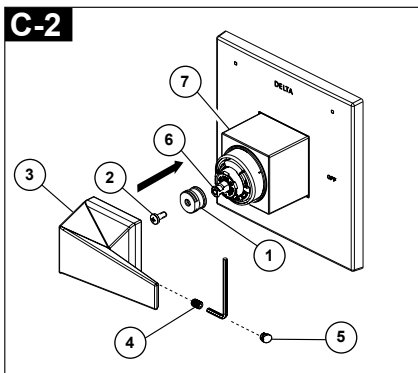


Note: Adjust for up to 1" thick wall. For thick wall installation, visit delta faucet website, check "view technical specification" of the models you bought, order the appropriate thick wall installation kit RP to get additional 1 3/4" wall thickness.

B-1: Secure the escutcheon (1) and backplate (2) (if your model has one) to the bracket (3) using the 2 screws (4) provided. Do not overtighten escutcheon screws. Press the cover (5) onto the escutcheon (1) when your product includes the cover.

B-2: Install bracket (5) over the cartridge using the 2 screws (6) provided. Install escutcheon (7) by placing it over the bracket as shown and rotating it to lock the tabs (8). Secure the escutcheon to the bracket using set screw (9).

C-2



Install adapter (1) on cartridge stem (6) with screw (2).

Thread set screw (4) into handle (3) slightly, put handle (3) on adapter (1), hold and adjust the handle (3) at OFF position to ensure it well aligned with sleeve (7). Then tighten set screw (4).

Apply pressure, insert button (5) until properly seated. Adjust the sleeve (7) to minimize the gap between the sleeve & handle.

Clean and Care

Care should be given to the cleaning of this product. Although its finish is extremely durable, it can be damaged by harsh abrasives or polish. To clean, simply wipe gently with a damp cloth and blot dry with a soft towel.

Warning: *Scrubbing Bubbles® Bathroom Cleaner and Lysoal® Basin Tub and Tile Cleaner* must not be used on the clear knob handles and levers. Use of these cleaners can result in cracked or severely damaged handles. If overspray gets onto the handles, immediately wipe them dry with a soft cotton cloth.

Maintenance

Faucet leaks from tub spout/shower head: SHUT OFF WATER SUPPLIES.

Replace seats and springs—Repair Kit RP4993. Check condition of lower O-rings and replace if necessary RP14414. See Helpful Hints 1, 2, & 3.

If leak persists:

SHUT OFF WATER SUPPLIES.
Replace valve cartridge RP46074.
See Helpful Hints 1, 2, 3, 4 & 5

Unable to maintain constant water temperature:

Replace housing assembly with RP46074 or follow instructions in Helpful Hints 1, 2, 3, 4 & 5.

Helpful Hints:

1. Before removing valve cartridge assembly for any maintenance, be sure to note the position of the rotational limit stop on the cap. The valve cartridge assembly must always be put back in the same position. BE SAFE! After you have finished the installation, turn on valve to make sure COLD WATER FLOWS FIRST.

2. To remove valve cartridge from body, shut off

water supplies and remove handle and bonnet nut. Do not pry the valve cartridge out of the body with a screwdriver. Place handle on stem and rotate counterclockwise approximately 1/4 turn after the stop has been contacted. Lift valve cartridge out of body.

3. To remove seats and springs.

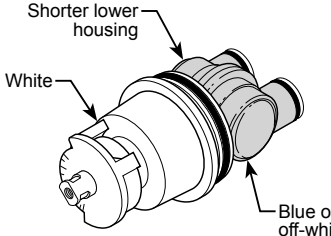
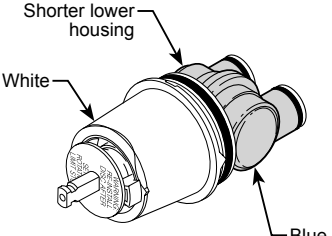
Remove valve cartridge. Separate cap assembly from the housing assembly by rotating the cap assembly counterclockwise 90° (degrees). Separate cap and housing assemblies.

4. If the water in your area has lime, rust, sand or other contaminants in it, your pressure balance valve will require periodic inspection. The frequency of the inspection will depend on the amount of contaminants in the water. To inspect valve cartridge remove it and follow the steps in note 1 above. Turn the valve to the full mix position and shake the cartridge vigorously. If there is a rattling sound, the unit is functional and can be reinstalled following instructions given in note 1 above. If there is no rattle, replace the housing assembly with the proper RP.

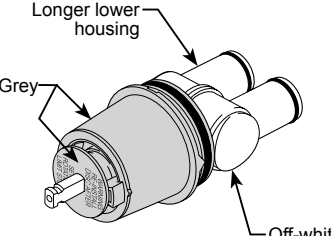
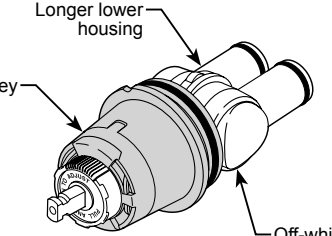
5. Push disc until fully seated. See page 9 for more details

Cartridge Summary Reference Sheet

Monitor® Series 1300/1400

Cartridge shipped before March 2006.	Cartridge shipped in July 2006 and after (prior to MultiChoice® transition).
 <p>Shorter lower housing</p> <p>White</p> <p>Blue or off-white</p>	 <p>Shorter lower housing</p> <p>White</p> <p>Blue</p>
Order RP19804 to replace cartridge.	Order RP19804 to replace cartridge.

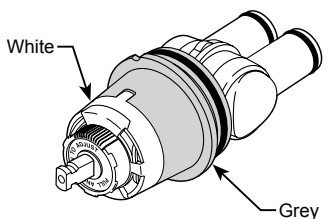
MultiChoice® 13/14

Cartridge shipped from March 2006 to August 2014.	Cartridge shipped in August 2014 and after.
 <p>Longer lower housing</p> <p>Grey</p> <p>Off-white</p>	 <p>Longer lower housing</p> <p>Grey</p> <p>Off-white</p>
Order RP46074 to replace cartridge.	Order RP46074 to replace cartridge.

NOTE: A running change for MultiChoice® 13/14 valves began August 2014, and features a new Rotational Limit Stop.

MultiChoice® 13/14 (Ceramic)

Cartridge shipping in select models (-CER).

 <p>White</p> <p>Grey</p>
Order RP74236 to replace cartridge.



see what Delta can do™

107528

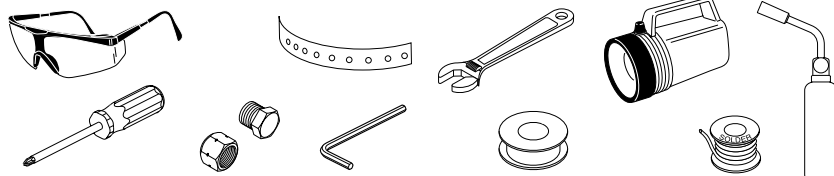
Instrucciones para la Instalación del Accesorio para Válvulas MultiChoice®

Manual para los Propietarios

13/14 Series

Escriba aquí el número del modelo comprado.

Usted puede necesitar



Contenido:

Garantías.....	Page 2
Instrucciones de Instalación	Pages 3 - 12
Limpieza y Cuidado de su Llave.....	Page 12
Mantenimiento	Page 12
Hoja resumen de referencia para el cartucho	Page 13

Para las piezas de repuesto adicionales, visite www.deltafaucet.com

El instalador debe apostar este sistema/divisa para garantizar temperatura maximo y seguro. Cualquier cambio en el ajuste puede subir la temperatura del agua de descarga sobre el límite considerado seguro y puede resultar en quemaduras de agua caliente.

AVISO PARA EL INSTALADOR:
PRECAUCION – Como instalador de esta válvula, es su responsabilidad de **INSTALAR Y AJUSTAR** apropiadamente esta válvula como se describe en las instrucciones, por lo tanto, debe haber una persona para hacer los ajustes necesarios del Tope del Límite Rotacional y del pomo para la temperatura en el momento que se haga la instalación y pueda necesitar ajustes adicionales por los cambios estacionales de la temperatura del agua. **USTED DEBE** informarle al dueño/usuario sobre este requisito siguiendo las instrucciones. Si usted o el dueño/usuario no están seguros como hacer estos ajustes apropiadamente, por favor refiérase al **Página 6** y si todavía no está seguro, llámenos al **1-800-345-DELTA**.

Después de hacer la instalación y el ajuste, usted puede agregarle a la etiqueta de aviso proporcionada, su nombre, el nombre de la compañía y la fecha cuando ajustó el Tope de la compañía y la fecha cuando ajustó el Tope del

Límite Rotacional y aplicar o fijar la etiqueta al dorso de la puerta del gabinete más cercano a la etiqueta de aviso al calentador de agua. Deje la Hoja de Instrucciones para referencia del dueño/ usuario.

ADVERTENCIA: Esta válvula de presión balanceada y termostática está diseñada para minimizar los efectos de los cambios de temperatura de agua por causa de los cambios de presión en el agua de entrada, comúnmente causados por lavadoras de platos, lavadoras de ropa, inodoros, y otros aparatos por el estilo. Puede no proporcionar protección de quemaduras de agua caliente cuando hay alguna falla de otros aparatos para el control de temperatura en otro sitio en el sistema de plomería. También no proporcionará protección si el tope del límite rotacional la temperatura no está apropiadamente fijo o si cambia la temperatura del agua caliente después de hacer los ajustes o si los cambios del gua de entrada son por los cambios estacionales.

ADVERTENCIA: No instale un aparato de corte o cierre en cualquiera de las tomas de esta válvula. Cuando este tipo de aparato cierra el flujo de agua, puede hacer fallar la habilidad de la válvula de balancear las presiones del agua caliente y fría.

Garantía Limitada en las Llaves de Agua de Delta®

Piezas y Acabado. Todas las piezas (excepto los componentes electrónicos y las pilas) y acabados de esta llave de agua/grifo Delta® Faucet están garantizadas al consumidor comprador original de estar libres de defectos en material y fabricación durante el tiempo que el comprador original sea propietario de la vivienda en la que la llave de agua fue originalmente instalada. En el caso de los consumidores comerciales, el período de garantía es de diez (10) años en residencias multi-familiares (apartamentos y condominios) y cinco (5) años para todos los otros usos comerciales, en cada caso a partir de la fecha de compra.

Piezas electrónicas y pilas (si aplicable). Las piezas electrónicas (excepto las pilas), si las hay, de esta llave de agua/grifo Delta® están garantizadas al consumidor comprador original de estar libres de defectos en material y fabricación durante cinco (5) años a partir de la fecha de compra o para los consumidores comerciales, por un (1) año a partir de la fecha de compra. No se proporciona garantía para las pilas.

Lo que haremos. La compañía Delta Faucet Company reparará o reemplazará, sin costo alguno, durante el período de garantía aplicable (como descrito arriba) cualquier pieza o acabado que demuestre ser defectuosa en material y/o fabricación bajo la instalación, el uso y el servicio normal. Si la reparación o el reemplazo no es práctico, Delta Faucet Company puede optar por reembolsarle el precio de compra a cambio de la devolución del producto. Estos son sus remedios exclusivos.

Lo que no está cubierto. La garantía no cubre los costos de mano de obra incurridos por el comprador para reparar, reemplazar, instalar o desmontar este producto. Delta Faucet Company no será responsable por cualquier daño al grifo que resulte del desgaste razonable, uso indebido, (incluyendo el uso del producto para una aplicación indebida), agua helada, abuso negligencia o la instalación, el mantenimiento o la reparación realizadas incorrectamente, incluido el incumplimiento de las instrucciones de cuidado y limpieza correspondientes. También recomendamos que use solo piezas de repuestos originales Delta®.

Lo que usted debe hacer para obtener servicio de garantía o piezas de repuesto. Se puede hacer un reclamo para la garantía y se pueden obtener piezas de repuesto llamando al 1-800-345-DELTA (3358) o contactándonos por correo postal o electrónico como indicado (favor incluir el número del modelo y la fecha de compra):

En los Estados Unidos y México:

Delta Faucet Company
55 E 11th Street
Indianapolis, IN 46280
Attention: Warranty Service
www.deltafaucet.com/service-parts/contact-us

En Canadá:

Masco Canada Limited, Plumbing Group
Technical Service Centre
350 South Edgeware Road
St. Thomas, Ontario, Canada N5P 4L1
Attention: Customer Service
<http://www.deltafaucet.ca/customersupport/assistance.html>

El comprobante de compra (recibo de venta original) del comprador original debe estar disponible a Delta Faucet Company para todos los reclamos de garantía a menos que el comprador haya registrado el producto con Delta Faucet Company. Esta garantía se aplica solo a las llaves de agua/grifos Delta® instalados en los Estados Unidos de América, Canadá y México después de enero 1, 1995.

La limitación de la duración de las garantías implícitas. HASTA EL ALCANCE EN QUE LA LEY LO PERMITA, CUALQUIER GARANTÍA IMPLÍCITA, INCLUIDAS LAS GARANTÍAS IMPLÍCITAS DE COMERCIABILIDAD Y DE IDONEIDAD PARA UN PROPÓSITO PARTICULAR, ESTÁ LIMITADA AL PERÍODO LEGAL O A LA DURACIÓN DE ESTA GARANTÍA, LO QUE SEA MÁS CORTO. Algunos estados/provincias no permiten la limitación de la duración de una garantía implícita por lo que limitación arriba puede no aplicarse.

Limitación de daños especiales, incidentales o consecuentes. DELTA COMPANY NO SERÁ RESPONSABLE POR NINGÚN DAÑO ESPECIAL, INCIDENTAL O CONSIGUIENTE (INCLUYENDO LOS GASTOS DE MANO DE OBRA PARA REPARAR, REEMPLAZAR, INSTALAR O DESMONTAR ESTE PRODUCTO), YA SEA RESULTADO DEL INCUMPLIMIENTO DE CUALQUIER GARANTÍA EXPRESA O IMPLÍCITA, INCUMPLIMIENTO DE CONTRATO, AGRAVIO O DE OTRA MANERA. DELTA FAUCET COMPANY NO SE RESPONSABILIZARÁ POR CUALQUIER DAÑO AL GRIFO QUE RESULTE DEL DESGASTE RAZONABLE, USO INDEBIDO, USO EN EL EXTERIOR DE LA PROPIEDAD, USO INDEBIDO (INCLUYENDO EL USO DEL PRODUCTO PARA UNA APLICACIÓN INDEBIDA), AGUA HELADA, ABUSO, NEGLIGENCIA O MANTENIMIENTO INADECUADO O INCORRECTO, INCLUYENDO EL NO SEGUIR LAS INSTRUCCIONES CORRESPONDIENTES PARA EL CUIDADO, LA LIMPIEZA Y EL MANTENIMIENTO. Algunos estados/provincias no permiten la exclusión o limitación de daños especiales, incidentales o consecuentes, por lo que estas limitaciones y exclusiones pueden no aplicar en su caso. Aviso para los residentes del estado de New Jersey: Las disposiciones de este documento tienen la intención de aplicarse en la máxima medida permitida por las leyes del estado de New Jersey.

Derechos adicionales. Esta garantía le otorga derechos legales específicos, y también puede tener otros derechos que varían de estado/provincia a estado/provincia.

Esta es la garantía escrita exclusiva de Delta Faucet Company y la garantía no es transferible.

Si tiene preguntas o dudas con respecto a nuestra garantía, por favor comuníquese con nosotros como se indica anteriormente o consulte nuestras Preguntas Frecuentes (FAQ) en www.deltafaucet.com.

© 2020 Delta Faucet Company

Garantía Limitada de Delta HDF

Todas las piezas de la llave Delta HDF están garantizadas al dueño original de estar libres de defectos en materiales y en la mano de obra por un período de cinco (5) años. Esta garantía se hace al dueño original y será efectiva el día de la compra como se ve en el recibo de compra.

Delta reemplazará, LIBRE DE CARGO, durante el período de la garantía, cualquier pieza que resulte defectuosa en materiales y/o en la mano de obra bajo instalación, uso y servicio normal. Las piezas de repuesto pueden ser obtenidas de su comerciante o distribuidor local que se encuentran en la guía telefónica o si usted devuelve la pieza con el recibo de compra a nuestra fábrica, Y LOS CARGOS DE TRANSPORTE PAGADOS CON ANTELACION, a la dirección dada. ESTA GARANTÍA ES LA ÚNICA GARANTÍA EXPRESA DE DELTA. CUALQUIER RECLAMO HECHO BAJO ESTA GARANTÍA TIENE QUE SER HECHO DURANTE EL PERÍODO DE CINCO AÑOS A QUE SE REFIERE ARRIBA. CUALQUIER GARANTÍA IMPLÍCITA, INCLUYENDO LA GARANTÍA IMPLÍCITA DE COMERCIALIZACION O CONVENIENCIA PARA UN PROPÓSITO PARTICULAR, SON LIMITADOS EN

DURACION A LA DURACION DE ESTA GARANTÍA. LOS CARGOS PARA LA MANO DE OBRA Y/O DAÑOS INCURRIDOS EN LA INSTALACION, REPARACION O REEMPLAZO, ASI COMO LOS DAÑOS INCIDENTALES O CONSECUENTES CONECTADOS CON ELLOS SON EXCLUIDOS Y NO SERAN PAGADOS POR DELTA.

Algunos estados no permiten limitaciones al tiempo que dura la garantía implícita, o la exclusión o limitación de los daños incidentales o consecuentes, así que la limitación o exclusión expresada arriba puede no ser aplicable a usted.

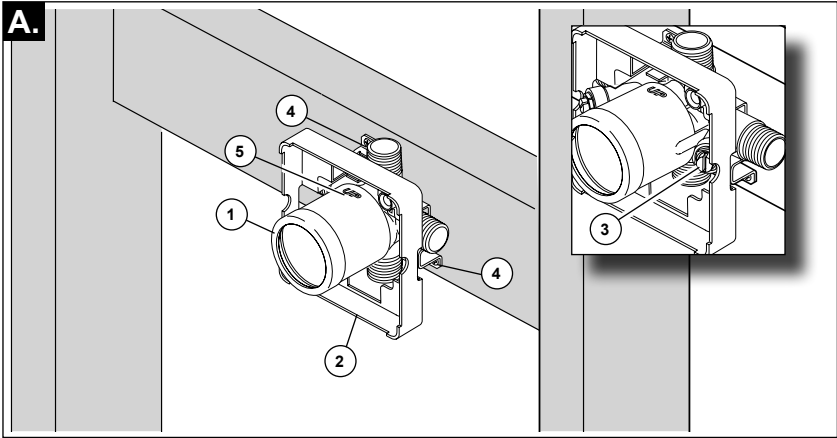
Esta garantía le da a usted derechos legales específicos y usted puede también tener otros derechos que varían de estado a estado.

Esta garantía es nula por cualquier daño a esta llave que sea el resultado del mal uso, abuso, negligencia, accidente, instalación impropia, cualquier uso en violación de las instrucciones suministradas por nosotros o cualquier uso de piezas de repuesto que no sean piezas genuinas Delta.

© 2020 Delta Faucet Company

1

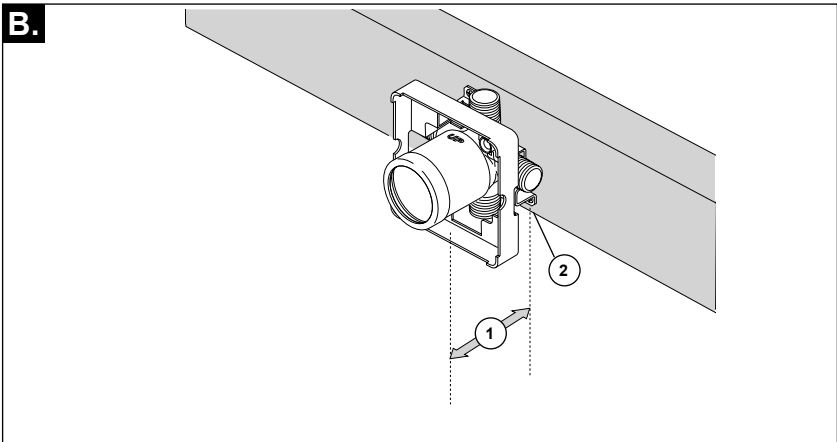
Instalación de la plomería MultiChoice® (Cuando su producto lo requiere)



CIERRE LOS SUMINISTROS DE AGUA.

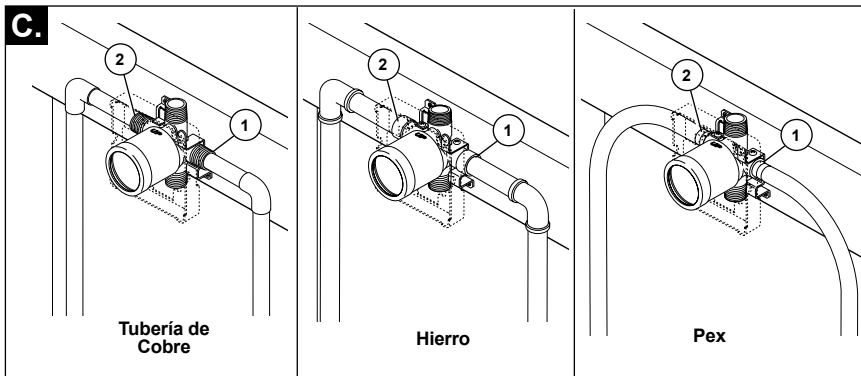
Considere el tipo y el grosor de su pared terminada antes de colocar su placa trasera de acoplamiento de las tuberías. Instale la pieza (1) de manera que la superficie de la pared terminada quede al ras con el frente del protector de yeso (2) $\pm 3/8"$. **Nota: Para con los modelos de las paradas (3), el protector del yeso debe ser el rubor**

rasante o secundario el $3/8"$ a la pared acabada. Instale la pieza usando los dos agujeros de instalación del acoplamiento (4) en el soporte. Cuando esté haciendo la instalación, asegúrese que la palabra "UP" (5) quede arriba de la válvula.



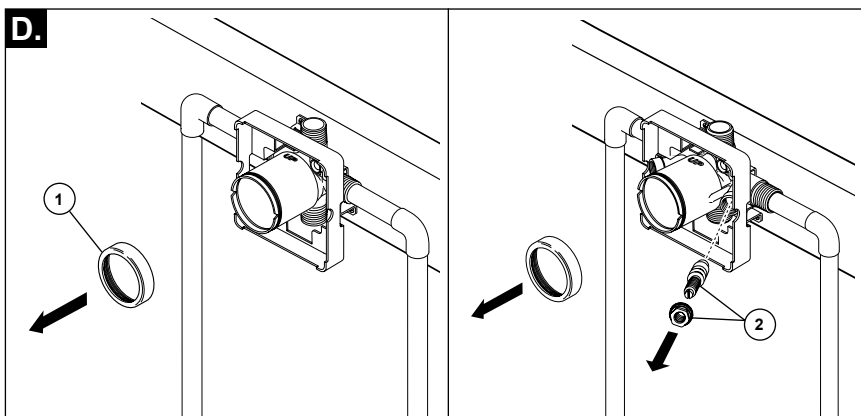
La distancia (1) del larguero (2) a la parte delantera del protector de yeso es de 2.8" (71 mm).

Si se utiliza una pared delgada, asegúrese de tener el protector de yeso por detrás de la pared, de lo contrario, la pared siempre debe estar al ras con la parte delantera del protector de yeso. Consulte las instrucciones en la bolsa para el montaje en pared delgada.



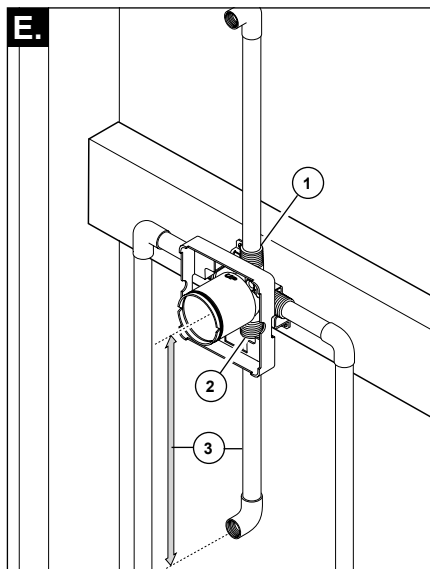
Conecte el cuerpo de la válvula a los suministros de agua usando los accesorios apropiados para el tipo de su válvula (tubería de cobre, hierro o Pex). **Nota: (1) es la entrada del agua fría y el (2) es la entrada del agua caliente.** Si no va a usar alguna de las dos entradas de agua, séllela con un tapón de tubería.

Si está haciendo una instalación dorso con dorso o a la inversa (caliente en la derecha y fría en la izquierda) instale el cuerpo de la válvula como se describe arriba, pero coloque al inverso las líneas de suministro de agua. **Nota: (1) es la entrada de agua caliente (2) es la entrada del agua fría.**

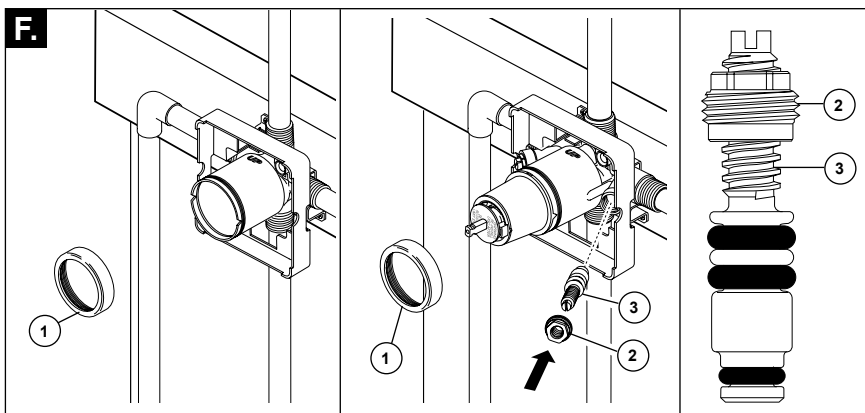


Quite el capuchón (1).
AVISO: Evite soldar a altas temperaturas. Los componentes de las tuberías detrás de las paredes podrían dañarse.

Sea seguro que las válvulas apagadas (2) están quitadas de la versión con las paradas antes de soldar. (no instale las válvulas apagadas antes de soldar.)



Conecte la salida de arriba (1) a la tubería de la regadera con los accesorios apropiados. Conecte la salida de abajo (2) a la tubería del surtidor de la bañera con los accesorios apropiados. La tubería (3) entre el cuerpo de la válvula y el de la bañera debe ser de un mínimo de 1/2" (13 mm) de tubería de cobre ó 1/2" (13 mm) de tubería de hierro en caída recta no menos de 8" (203 mm) pero no más de 18" (457 mm) de largo a la entretroscada del surtidor de la bañera y con sólo un codo de 90 grados, de tubería de hierro o cobre. **No use la tubería PEX como tubería entre la válvula y el surtidor de la bañera.**



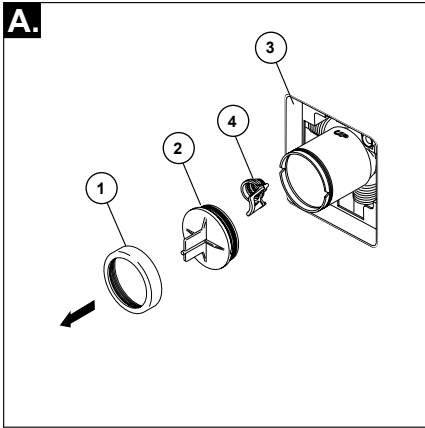
PRUEBA DE PRESIÓN Y LIMPIEZA DE LA INSTALACIÓN

- Para enjuagar el sistema de desechos, retire la tuerca tapa (1).
- Prepare el área para rociar con agua.
- Lentamente abra los suministros de agua para depurar el sistema por 30 segundos.
- Después de enjuagar, instale el cartucho y la tuerca tapa.
- Gire la espiga del cartucho en sentido antihorario hasta que pare.

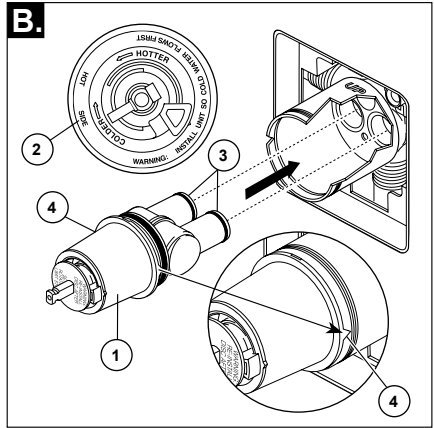
PARA LOS MODELOS CON TOPES, instale los topes, pero déjelos en posición completamente abierta. Instale los topes de la siguiente manera:

- Enrosque la tuerca (2) en la espiga (3) como se muestra. A continuación, presione el ensamble de la espiga y la tuerca en la unidad y apriételo con una herramienta de tubo largo con entrada de 6 puntos de 3/8". Con un destornillador de cabeza plana, ajuste la espiga en el sentido de las agujas del reloj para cerrarla y en el sentido contrario a las agujas del reloj para abrirla.
- Tape el surtidor de la bañera y/o la salida o salidas de agua de la regadera con el accesorio apropiado para su tubería.
- Examine si hay fugas.
- Después de hacer la prueba de fugas o filtraciones de agua, cierre la válvula girando la espiga del cartucho completamente en el sentido de las agujas del reloj.

2 Instalación del Cartucho



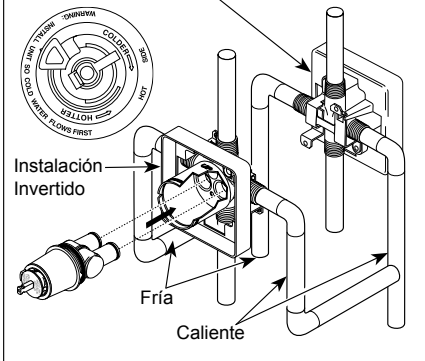
Cierre los suministros de agua. Quite la tuerca tapa (1) y la tapa de prueba (2). Si no es para instalar en pared delgada, puede quitar el protector (3) de yeso completo. Si la pantalla (4) está en lugar, quite antes de instalar el cartucho.



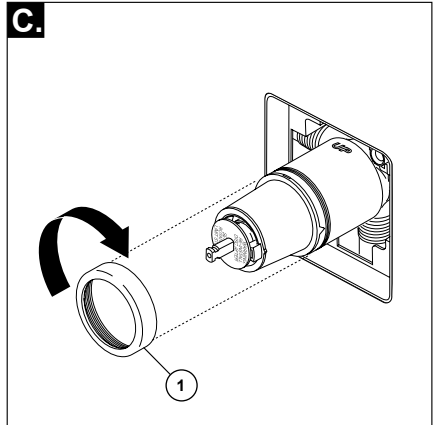
Gire el cartucho (1) de manera que las palabras 'hot side' (lado caliente) (2) aparezcan a la izquierda. Introduzca el cartucho en la válvula como se muestra. Asegúrese que los tubos del cartucho y los aros-O (3) estén apropiadamente sentados en los agujeros en la base del cuerpo de la válvula. Asegúrese que la parte dentada en el cuerpo de la pieza encaje completamente en las muescas de éste (4).

Instalación de Espalda a Espalda

Instalación Normal (No se requerirá cambios)



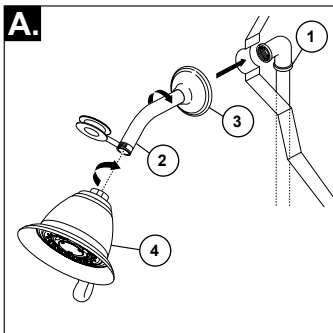
En las instalaciones dorso con dorso o al reverso (caliente en la derecha y fría en la izquierda) introduzca el cartucho con la inscripción "hot side" a la derecha. Si usted no está instalando al reverso o dorso con dorso omita este paso y continúe con el paso 2C.



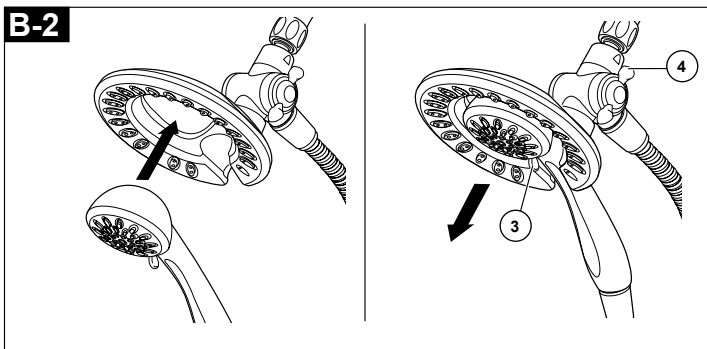
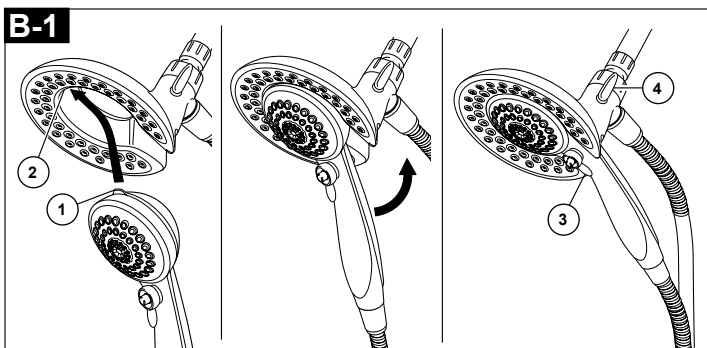
Deslice la tuerca tapa (1) sobre el cartucho y enrosque en el cuerpo de la válvula. Apriete a mano bien.

3

Instalación de la Cabeza de la Regadera y el Surtidor de la Bañera



PARA LAS INSTALACIONES DE LAS CABEZAS DE REGADERA: Conecte la toma de salida de agua superior (1) al brazo de la regadera (2) con los accesorios apropiados. Para prevenir daño al acabado del brazo de la regadera, introduzca el extremo que va hacia la pared del brazo de la regadera dentro del reborde (3) antes de atornillar el brazo en la conexión de la tubería vertical. Aplique cinta para plomero a los enrosques de la tubería. No apriete demasiado la cabeza de la regadera.



B-1: Para combinar las dos regaderas, inserte la lengüeta superior (1) en la regadera de mano en la muesca (2) de la cabeza de la regadera. Oprima la regadera de mano en la cabeza de la regadera hasta que las dos partes encajen y queden juntas.

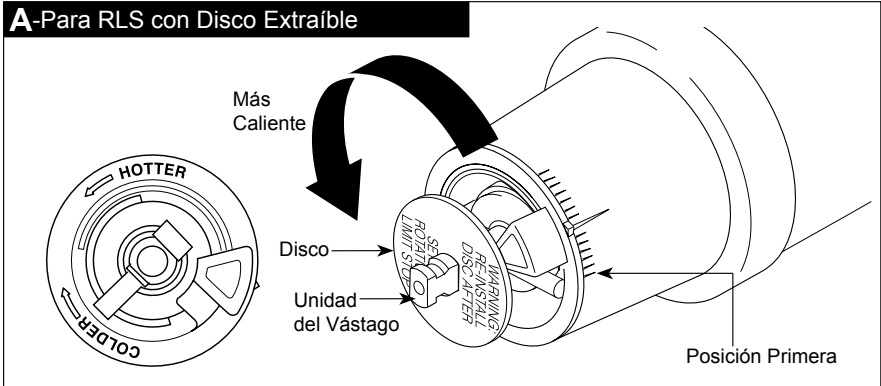
B-2: Para combinar las dos regaderas, oprima la regadera de mano en la cabeza de la regadera hasta que las dos partes encajen y queden juntas. A continuación, tire hacia abajo la regadera de mano hasta que quede fija con la cabeza de la regadera.

Si la cabeza de la regadera se mueve cuando retira la regadera manual, apriete a mano la conexión entre la cabeza de la regadera y el brazo de la regadera.

Para cambiar los modos de rocío de la regadera, mueva la palanca (3) de izquierda a derecha al ajuste deseado. Gire la perilla (4) (para cambiar el flujo de agua para que salga sólo por la cabeza de la regadera, o por la cabeza de la regadera y regadera manual o sólo por la regadera manual).

PARA LA INSTALACIÓN DEL SURTIDOR DE LA BACERA: Refiérase a las instrucciones para la instalación suministradas con su surtidor. No conecte los surtidores para las instalaciones en las superficies horizontales en las válvulas dentro de las paredes. No use las regaderas de mano en vez de un surtidor de bañera conectado a una válvula de bañera/regadera. No use la tubería PEX como tubería entre la válvula y el surtidor de la bañera.

A-Para RLS con Disco Extraíble

**IMPORTANTE:**

El Ajuste del Tope que Limita la Rotación se usa para limitar la cantidad de agua caliente disponible de manera que, si ajustado apropiadamente, el usuario no se quemará si la manija se gira accidentalmente completamente a "hot" ("caliente") cuando una persona se está duchando o llenando la bañera. La primera posición permite la cantidad **MÍNIMA** de agua caliente mixta con la fría en el sistema. En la primera posición el agua estará lo más fría posible cuando la manija se gira completamente a caliente. Mientras que mueve el Ajuste del Tope que Limita la Rotación en dirección contrario a las manecillas del reloj, progresivamente aumentará el agua caliente en la mezcla más y más. La última posición a la izquierda es la de mayor cantidad de agua caliente en la mezcla, y tiene el mayor riesgo de lesión por quemadura si alguien accidentalmente abre la manija de la válvula completamente a la posición caliente mientras que se baña o llena la bañera.

• **ADVERTENCIA: En algunos casos, ajustar el Ajuste del Tope que Limita la Rotación en la posición más caliente (completamente en el sentido contrario a la dirección de las manecillas del reloj) puede resultar en lesión por quemadura. Es necesario ajustar el Tope que Limita la Rotación de manera que el agua que sale de la válvula no queme o escalde al usuario cuando la manija de la válvula se gira al lado caliente.**

- De acuerdo con la mayoría de los estándares de la industria, la temperatura máxima permisible del agua que sale es 120°F (Sus códigos locales de plomería pueden requerir una temperatura de agua menor de 120°F).
- El Tope que Limita la Rotación puede requerir el ajuste estacional si la temperatura del agua cambia. Por ejemplo, durante el invierno, la temperatura del agua fría es más fría que durante el verano resultando en temperaturas

variadas en el agua de salida. Una temperatura de agua para un baño o ducha confortable típicamente es entre 90°F - 110°F.

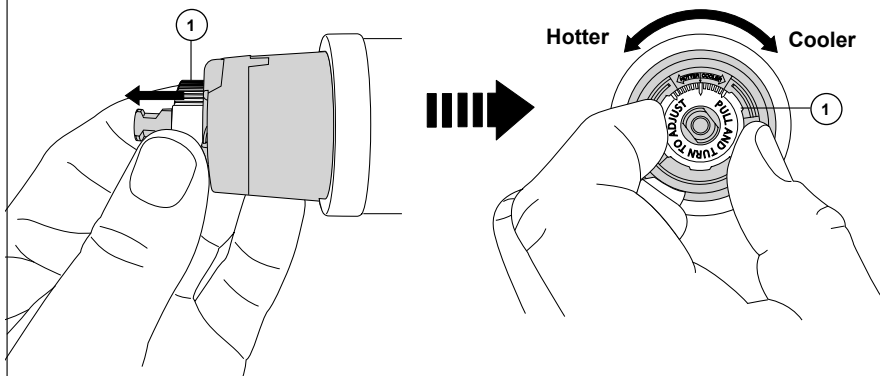
- Deje que el agua corra de manera que el agua fría esté lo más fría posible y la caliente esté lo más caliente posible. Coloque la manija en la espiga (vea la página 8, paso 4C) y gire la manija en dirección contraria a las manecillas del reloj hasta que la manija pare.

- Coloque el termómetro en un vaso plástico y sosténgalo bajo el chorro de agua. Si la temperatura de agua está por encima de 120°F el tope que limita la rotación debe ajustarse otra vez moviéndolo en sentido de las manecillas del reloj para reducir la temperatura del agua de salida de la válvula a menos de 120°F o para que cumpla con los requisitos de sus códigos locales de plomería.

- Para ajustar la temperatura del agua que sale de la válvula, hale el disco otra vez a la posición donde se puede remover el Tope del Límite Rotacional y reajuste el engranaje de los dientes a la posición para la temperatura deseada. Al mover en dirección de las manecillas del reloj reducirá la temperatura del agua de salida, y al contrario aumentará la temperatura del agua de salida. El cambio de temperatura por cada diente (muesca) puede ser de 4°F-16°F dependiendo de la condición del agua de entrada. Si es necesario repítalo. Presione el disco hasta que está asentado completamente. **ADVERTENCIA: Si no reinstala el Disco después de hacer el ajuste del Tope del Límite Rotacional pudiera escaldarse con agua demasiado caliente.**

- **ASEGÚRESE QUE EL AGUA FRÍA FLUYA DE LA VÁLVULA PRIMERO. ASEGÚRESE QUE EL AGUA QUE FLUYE DE LA VÁLVULA EN LA POSICIÓN MÁS CALIENTE POSIBLE NO EXCEDA 120°F O EL MÁXIMO PERMITIDO POR SUS CÓDIGOS LOCALES DE PLOMERÍA.**

B-Para RLS con Ajuste de Tracción/Giro



IMPORTANTE:

El Ajuste del Tope que Limita la Rotación se usa para limitar la cantidad de agua caliente disponible de manera que, si ajustado apropiadamente, Una lesión de escaldado es menos probable que se ocurra si la manija se gira accidentalmente completamente a "hot" ("caliente") cuando una persona se está duchando o llenando la bañera. La primera posición permite la cantidad **MÍNIMA** de agua caliente mixta con la fría en el sistema. En la primera posición el agua estará lo más fría posible cuando la manija se gira completamente a caliente. Mientras que mueve el Ajuste del Tope que Limita la Rotación en dirección contrario a las manecillas del reloj, progresivamente aumentará el agua caliente en la mezcla más y más. La última posición a la izquierda es la de mayor cantidad de agua caliente en la mezcla, y tiene el mayor riesgo de lesión por quemadura si alguien accidentalmente abre la manija de la válvula completamente a la posición caliente mientras que se baña o llena la bañera.

• **ADVERTENCIA: En algunos casos, ajustar el Ajuste del Tope que Limita la Rotación en la posición más caliente (completamente en el sentido contrario a la dirección de las manecillas del reloj) puede resultar en lesión por quemadura. Es necesario ajustar el Tope que Limita la Rotación de manera que el agua que sale de la válvula no queme o escale al usuario cuando la manija de la válvula se gira al lado caliente.**

• De acuerdo con la mayoría de los estándares de la industria, la temperatura máxima permisible del agua que sale es 120°F (Sus códigos locales de plomería pueden requerir una temperatura de agua menor de 120°F).

• El Tope que Limita la Rotación puede requerir el ajuste estacional si la temperatura del agua cambia. Por ejemplo, durante el invierno, la

temperatura del agua fría es más fría que durante el verano resultando en temperaturas variadas en el agua de salida. Una temperatura de agua para un baño o ducha confortable típicamente es entre 90°F - 110°F.

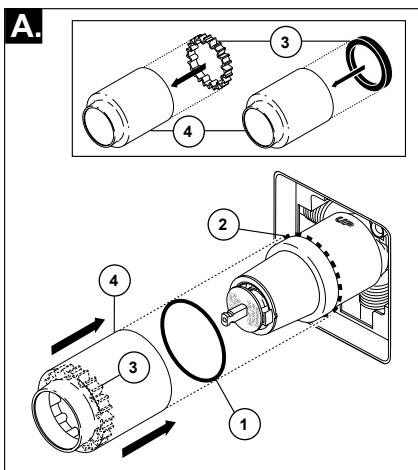
• Deje que el agua corra de manera que el agua fría esté lo más fría posible y la caliente esté lo más caliente posible. Coloque la manija en la espiga (vea la página 8, paso 4C) y gire la manija en dirección contraria a las manecillas del reloj hasta que la manija pare.

• Coloque el termómetro en un vaso plástico y sosténgalo bajo el chorro de agua. Si la temperatura de agua está por encima de 120°F el tope que limita la rotación debe ajustarse otra vez moviéndolo en sentido de las manecillas del reloj para reducir la temperatura del agua de salida de la válvula a menos de 120°F o para que cumpla con los requisitos de sus códigos locales de plomería.

• Para ajustar la temperatura del agua que sale de la válvula, Tira la Parada de Límite Rotacional de color blanco hacia afuera y girarla. Al mover en dirección de las manecillas del reloj reducirá la temperatura del agua de salida, y al contrario aumentará la temperatura del agua de salida. El cambio de temperatura por cada diente (muesca) puede ser de 4°F-16°F dependiendo de la condición del agua de entrada. Si es necesario repítalo. Cuando haya terminado, asegúrese de que la Parada de Límite Rotacional esté completamente retraída a la posición sentada. **ADVERTENCIA: No tome la Parada de Límite Rotacional aparte.**

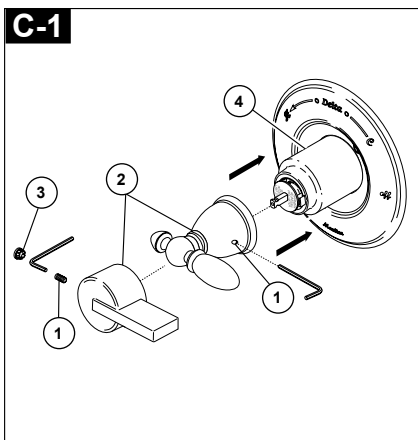
• **ASEGÚRESE QUE EL AGUA FRÍA FLUYA DE LA VÁLVULA PRIMERO. ASEGÚRESE QUE EL AGUA QUE FLUYE DE LA VÁLVULA EN LA POSICIÓN MÁS CALIENTE POSIBLE NO EXCEDA 120°F O EL MÁXIMO PERMITIDO POR SUS CÓDIGOS LOCALES DE PLOMERÍA.**

5 Instalación Final

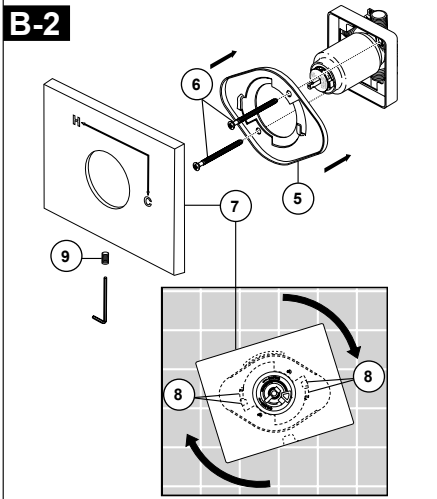
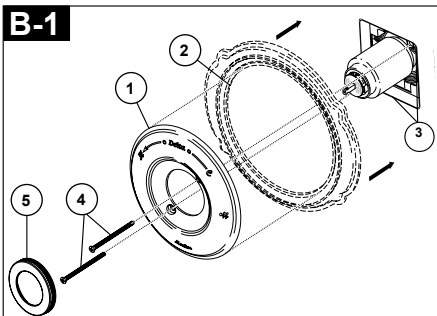


Deslice el aro O (1) sobre el cartucho y la tuerca tapa (2). El aro O, el cual funciona como un separador para estabilizar la manga, debe quedar apoyado en la tuerca tapa.

Si su modelo requiere un separador (3), insértelo en la manga (4) y empújelo hacia el frente. Deslice la manga sobre el cartucho, el cuerpo de la pieza y el aro O.



Utilice una llave Allen para fijar el tornillo de fijación (1), instale el mango (2) en la espiga y apriete el tornillo de fijación. Inserte el botón obturador (3) (si su modelo lo tiene) en el orificio del tornillo de fijación. Ajuste la manga (4) para minimizar el espacio entre la manga y la manija.

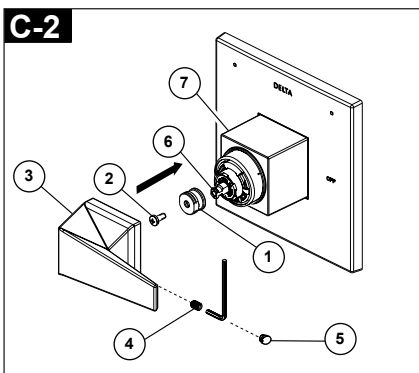


Nota: Ajuste para paredes de hasta 1" de espesor. Para la instalación en pared gruesa, visite el sitio web de delta faucet, verifique "ver especificaciones técnicas" de los modelos que ha comprado, pida el juego de instalación en pared de espesor adecuado RP para obtener un espesor adicional de pared de 1 3/4".

B-1: Fije la chapa de cubierta (1) y la placa posterior (2) (si su modelo lo tiene) al soporte (3) con los 2 tornillos (4) provistos. No apriete demasiado los tornillos de la chapa de cubierta. Presione la cubierta (5) sobre la chapa de cubierta (1) cuando la cubierta está incluida en su producto.

B-2: Instale el soporte (5) sobre el cuerpo de cartucho con los 2 tornillos (6) provistos. Instale la chapa de cubierta (7) colocándola sobre el soporte como se muestra y girándola para bloquear las pestañas (8). Fije la chapa de cubierta al soporte con el tornillo de fijación (9).

C-2



Instale el adaptador (1) en la espiga del cartucho (6) con el tornillo (2).

Enrosque el tornillo de fijación (4) ligeramente en el mango (3), coloque el mango (3) en el adaptador (1), luego sostenga y ajuste el mango (3) en la posición OFF para asegurarse de que esté bien alineado con el casquillo (7). Después, apriete el tornillo de fijación (4).

Aplice una presión, inserte el botón (5) hasta que se asiente adecuadamente.

Ajuste la manga (7) para minimizar el espacio entre la manga y la manija.

Limpeza y Cuidado de su Llave

Tenga cuidado al ir a limpiar este producto. Aunque su acabado es sumamente durable, puede ser afectado por agentes de limpieza o para pulir abrasivos. Para limpiar su llave, simplemente frótelas con un trapo húmedo y luego séquela con una toalla suave.

¡ADVERTENCIA! No se puede usar SCRUBBING BUBBLES® BATHROOM CLEANER o LYSOL® BASIN TUB AND TILE CLEANER en las manijas transparentes. El uso de estos productos pueden resultar en manijas rajados o severamente dañados. Si estos productos caen sobre la manija, séquelo inmediatamente con una toalla de algodón suave.

Mantenimiento

La llave tiene fugas de agua en la salida de tina/cabeza deregadera-
CIERRE LOS SUMINISTROS DE AGUA.
Reemplace Asientos y Resortes—Equipo de Reparaciones RP4993 Verifica el condición de los anillos "O" más bajo y repongalos si será necesario RP14414. Vea Sugerencias Útiles 1, 2, y 3.

Si la fuga de agua persiste-
CIERRE LOS SUMINISTROS DE AGUA.
Reemplace el cartucho de válvula RP46074.
Vea Sugerencia Útiles 1, 2, 3, 4 y 5.

No se puede mantener temperatura de agua constante:
Reemplace ensamble de caja con RP46074 o sigue los instrucciones en Sugerencias Útiles 1, 2, 3, 4 y 5.

Sugerencia Útiles:

1. Antes de remover el ensamble del cartucho de la válvula para hacerle cualquier servicio, fíjese en la posición del tope del límite rotacional ubicado en la tapa. Siempre se debe reponer el ensamble de cartucho de válvula en el mismo posición. **TENGA CUIDADO** después de cumplir el instalación dele vuelta a la válvula para asegurar que AGUA FRIA SALGA PRIMERO.

2. Para quitar el cartucho de válvula del cuerpo, cierre los suministros de agua y quite el maneral y bonete. No se debe quitar el cartucho de válvula del cuerpo con atornillador. Ponga el maneral encima el vástago y giralo en el sentido contrario al de las agujas del reloj aproximado 1/4 vuelta. Levanta el cartucho de válvula aguera el cuerpo.

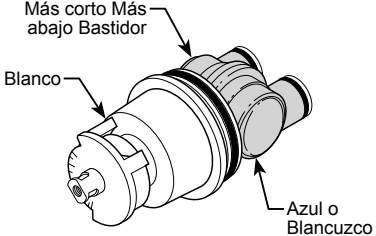
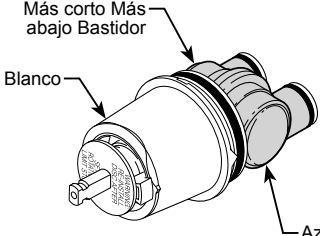
3. Para quitar los asientos y resortes.
Quite el cartucho de válvula, (vea arriba). Separa ensamble de botón de ensamble de caja girando el botón 90 en el sentido contrario al de las agujas del reloj.

4. Si la agua en su area contiene cal, orín, arena o otros contaminamientos, su válvula de equilibrio de presión requerá inspecciones periódico. La frecuencia de los inspecciones depende en el tamaño de contaminamientos en la agua. Para inspeccionar el cartucho, quite el cartucho, sigue los pasos apuntado en nota 1 arriba. Dele vuelta al válvula hasta el posición completamente mixto y sacude el cartucho riguroso. Si hay traqueteo, funciona el unidad y se puede reinstalar siguiendo nota 1 de arriba. Si no hay traqueteo, reemplace el ensamble de caja.

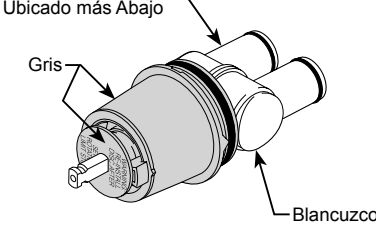
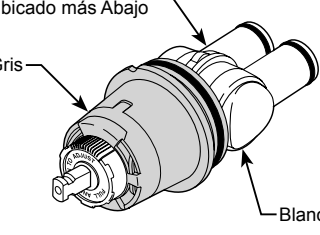
5. Presione el disco hasta que está asentado completamente. Vea la página 9 para más detalles.

Hoja resumen de referencia para el cartucho

Monitor® Series 1300/1400

El cartucho enviado antes de marzo 2006.	El cartucho enviado en julio 2006 y después (antes de la transición a MultiChoice®).
<p>Más corto Más abajo Bastidor</p> <p>Blanco</p>  <p>Azul o Blancuzco</p>	<p>Más corto Más abajo Bastidor</p> <p>Blanco</p>  <p>Azul</p>
<p>Ordene el Repuesto RP19804 para cambiar el cartucho.</p>	<p>Ordene el Repuesto RP19804 para cambiar el cartucho.</p>

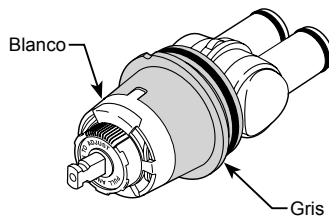
MultiChoice® 13/14

El cartucho enviado entre marzo 2006 y agosto 2014.	El cartucho enviado en agosto 2014 y después.
<p>Bastidor más Largo Ubicado más Abajo</p> <p>Gris</p>  <p>Blancuzco</p>	<p>Bastidor más Largo Ubicado más Abajo</p> <p>Gris</p>  <p>Blancuzco</p>
<p>Ordene el Repuesto RP46074 para cambiar el cartucho.</p>	<p>Ordene el Repuesto RP46074 para cambiar el cartucho.</p>

NOTA: Un cambio vigente de las válvulas MultiChoice® 13/14 comenzó en agosto 2014, y cuenta con un nuevo límite de parada rotacional.

MultiChoice® 13/14 (Cerámico)

Cartuchos enviados en algunos de modelos (-CER).



Ordene el Repuesto RP74236 para cambiar el cartucho.



see what Delta can do™

107528

Instructions d'installation Finition de la soupape MultiChoice®

Guide d'utilisation

13, 14, Séries

Inscrivez le numéro de modèle ici.

Articles dont vous pouvez avoir besoin:

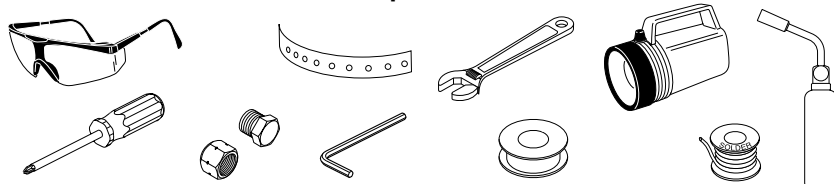


Table des matières

Garanties	Page 2
Instructions d'installation	Pages 3 - 12
Instructions de nettoyage	Page 12
Maintenance	Page 12
Fiche de référence sommaire de la cartouche	Page 13

Pour les pièces de rechange supplémentaires, visitez www.deltafaucet.com

ATTENTION: L'installateur doit régler l'appareil pour que la température maximale de l'eau chaude soit sans danger. Toute modification des réglages peut entraîner une élévation de la température à la sortie du robinet au delà de la température sans danger et pourrait causer un échaudage.

AVIS À L'INSTALLATEUR : ATTENTION! – En qualité d'installateur, vous êtes tenu d'INSTALLER et de RÉGLER ce robinet conformément aux instructions. Ce robinet ne s'adapte pas automatiquement aux fluctuations de la température de l'eau d'alimentation. Par conséquent, il faut régler la butée limitatrice de température au moment de l'installation et il peut être nécessaire de faire de nouveaux réglages par la suite en raison des fluctuations saisonnières de la température de l'eau. VOUS DEVEZ informer le propriétaire ou l'utilisateur de cette exigence. En cas de doute quant à la marche à suivre pour faire ces réglages, veuillez consulter page 6 si un doute persiste, et si cette incertitude persiste, appelez-nous au 1-800-345-DELTA.

Après avoir terminé l'installation et le réglage, vous devez inscrire, sur l'étiquette de mise en garde fournie, votre nom, le nom de votre entreprise et la fournie, votre nom, le nom de votre entreprise et la date à laquelle vous avez réglé la butée limitatrice

de température, puis fixer l'étiquette à l'endos de la porte de la coiffeuse. Vous devez également fixer l'étiquette d'avertissement au chauffe-eau. **Veillez laisser ce feuillet d'instructions au propriétaire ou à l'utilisateur pour qu'il puisse le consulter au besoin.**

MISE EN GARDE – Ce robinet thermostatique à équilibrage de pression pour baignoire est conçu pour limiter les effets des fluctuations de température de l'eau causées par les variations de la pression d'alimentation attribuables au fonctionnement d'un lave-vaisselle, d'une machine à laver, d'un cabinet d'aisances ou d'un autre appareil qui consomme de l'eau. Il peut ne pas protéger l'utilisateur contre l'échaudage en cas de défectuosité d'un autre dispositif de régulation de la température, si le réglage de la butée limitatrice de haute température est mauvais, si la température de l'eau chaude a été modifiée après que les réglages ont été effectués ou si la température de l'eau d'alimentation a changé en raison du changement de saison.

MISE EN GARDE – N'installez pas de dispositif d'arrêt sur une sortie quelconque de ce robinet. En interrompant l'écoulement de l'eau, ce dispositif peut empêcher le robinet d'équilibrer les pressions d'eau chaude et d'eau froide.

Garantie limitée des robinets Delta®

Pièces et finis. Tous les pièces (autres que les composants électroniques et les piles) et les finis de ce robinet Delta® sont protégés contre les défauts du matériau et les vices de fabrication par une garantie qui est consentie au premier acheteur au détail et qui demeure valide tant que celui-ci demeure propriétaire de la maison dans laquelle le robinet a été installé. En ce qui concerne les acheteurs commerciaux, la période de garantie est de dix (10) ans pour une utilisation dans un immeuble résidentiel multifamilial (appartements et condominiums) et de cinq (5) ans pour toutes les autres utilisations commerciales, à compter de la date d'achat dans chaque cas.

Composants électroniques et piles (le cas échéant). Les composants électroniques (autres que les piles) de ce robinet Delta® sont protégés contre les défauts du matériau et les vices de fabrication par une garantie consentie au premier acheteur au détail qui est de cinq (5) ans à compter de la date d'achat. En ce qui concerne les acheteurs commerciaux, la période de garantie est d'un (1) an à compter de la date d'achat. **Les piles ne sont pas couvertes par la garantie.**

Ce que nous ferons. Delta Faucet Company réparera ou remplacera gratuitement, pendant la période de garantie applicable (décrite ci-dessus), toute pièce ou tout fini qui présentera une défectuosité de matériau et/ou un vice de fabrication pour autant que le produit ait été installé, utilisé et entretenu normalement. S'il n'est pas utile de réparer ou de remplacer le produit, Delta Faucet Company pourra rembourser le prix d'achat en échange du produit retourné. Il s'agit de vos seuls recours.

Ce qui n'est pas couvert. La présente garantie ne couvre pas les frais de main-d'œuvre encourus par l'acheteur pour la réparation, le remplacement, l'installation ou la dépose du robinet. Delta Faucet Company se dégage de toute responsabilité à l'égard de toute détérioration du robinet résultant d'une usure raisonnable et des dommages causés par une utilisation à l'extérieur, un mauvais usage (y compris l'utilisation du produit à des fins autres que celles auxquelles il est destiné), le gel de l'eau, un usage abusif, la négligence ou l'utilisation d'une méthode d'installation, de maintenance ou de réparation incorrecte ou inadéquate, y compris les dommages résultant du non-respect des instructions de nettoyage et d'entretien applicables. Delta Faucet Company vous recommande de confier tous les travaux d'installation et de réparation à un plombier professionnel. Nous vous recommandons également d'utiliser uniquement des pièces de rechange Delta® authentiques.

Ce que vous pouvez faire pour vous prévaloir de la garantie ou obtenir des pièces de rechange. Vous pouvez présenter une réclamation en vertu de la garantie et obtenir des pièces de rechange en appelant au 1-800-345-DELTA (3358) ou en communiquant avec nous à l'une des adresses postales ou des adresses de courriel indiquées ci-dessous (n'oubliez pas d'indiquer le numéro de modèle et la date d'achat).

Aux États-Unis et au Mexique

Delta Faucet Company
55 E 111th Street
Indianapolis, IN 46280
Attention: Warranty Service
www.deltafaucet.com/service-parts/contact-us

Au Canada:

Masco Canada Limited, Groupe plomberie
Centre de services techniques
350, chemin South Edgeware
St. Thomas (Ontario) Canada N5P 4L1
À l'attention du Service à la clientèle
<http://www.deltafaucet.ca/customersupport/assistance.html>

La preuve d'achat (original du reçu) du premier acheteur doit être présentée à Delta Faucet Company pour toutes les demandes en vertu de la garantie, sauf si le produit a été enregistré auprès de Delta Faucet Company. La présente garantie s'applique uniquement aux robinets Delta® fabriqués après le 1er janvier 1995 et installés aux États-Unis d'Amérique, au Canada et au Mexique.

Limitation de la durée des garanties implicites. DANS LA MESURE DE CE QUI EST PERMIS PAR LA LOI, TOUTES LES GARANTIES IMPLICITES, Y COMPRIS LES GARANTIES IMPLICITES DE QUALITÉ MARCHANDE ET D'ADEQUATION À UN USAGE PARTICULIER, SE LIMITENT À LA PÉRIODE FIXÉE PAR LA LOI OU À LA DURÉE DE LA PRÉSENTE GARANTIE, LA PLUS COURTE DES DEUX PÉRIODES S'APPLIQUANT. Dans les États ou les provinces où il est interdit de limiter la durée d'une garantie implicite, les limites susmentionnées ne s'appliquent pas.

Limitation des dommages particuliers, consécutifs ou indirects. DELTA FAUCET COMPANY SE DÉGAGE DE TOUTE RESPONSABILITÉ À L'ÉGARD DES DOMMAGES PARTICULIERS, CONSÉCUTIFS ET INDIRECTS (Y COMPRIS LES FRAIS DE MAIN-D'ŒUVRE POUR LA RÉPARATION, LE REMPLACEMENT, L'INSTALLATION OU LA DÉPOSE DU PRODUIT), PEU IMPORTE QU'ILS DÉCOULENT D'UNE RUPTURE D'UNE GARANTIE IMPLICITE OU EXPLICITE, D'UNE RUPTURE DE CONTRAT, D'UN DÉLIT CIVIL OU D'UNE AUTRE CAUSE. DELTA FAUCET COMPANY SE DÉGAGE DE TOUTE RESPONSABILITÉ À L'ÉGARD DE TOUTE DÉTÉRIORATION DU ROBINET RÉSULTANT D'UNE USURE RAISONNABLE ET DES DOMMAGES CAUSÉS PAR UNE UTILISATION À L'EXTÉRIEUR, UN MAUVAIS USAGE (Y COMPRIS L'UTILISATION DU PRODUIT À DES FINS AUTRES QUE CELLES AUXQUELLES IL EST DESTINÉ), LE GEL DE L'EAU, UN USAGE ABUSIF, LA NÉGLIGENCE OU L'UTILISATION D'UNE MÉTHODE D'INSTALLATION, DE MAINTENANCE OU DE RÉPARATION INCORRECTE OU INADÉQUATE, Y COMPRIS LES DOMMAGES RÉSULTANT DU NON-RESPECT DES INSTRUCTIONS D'INSTALLATION, DE NETTOYAGE, D'ENTRETIEN APPLICABLES. Dans les États ou les provinces où il est interdit d'exclure ou de limiter les dommages particuliers, consécutifs ou indirects, les exclusions ou les limites susmentionnées ne s'appliquent pas. Avis à l'intention des résidents de l'État du New Jersey : Les dispositions de la présente garantie, y compris ses limitations, s'appliquent dans toute la mesure permise par les lois de l'État du New Jersey.

Droits supplémentaires. La présente garantie vous procure des droits précis reconnus par la loi. Vous pouvez avoir d'autres droits qui varient selon l'État ou la province.

La présente garantie écrite est la seule garantie offerte par Delta Faucet Company et elle n'est pas transférable.

Si vous avez des questions ou des préoccupations concernant notre garantie, veuillez communiquer avec nous de la manière indiquée ci-dessus ou consulter notre FAQ sur la garantie à www.deltafaucet.com.

© 2020 Delta Faucet Company

Garantie Limitée sur les Robinets Ultra-Robustes Delta de la Série HDF

Toutes les pièces des robinets ultra-robustes Delta de la série HDF sont protégées contre les défauts du matériau et les vices de conception par une garantie qui est consentie au premier acheteur pour une période de cinq (5) ans. Cette garantie entre en vigueur à compter de la date d'achat indiquée sur le reçu de l'acheteur.

Pendant la période de garantie, Delta remplacera, SANS FRAIS, toute pièce présentant une défectuosité du matériau et (ou) un vice de fabrication pour autant que l'appareil ait été installé, utilisé et entretenu correctement. Pour obtenir des pièces de rechange, veuillez communiquer avec le distributeur ou le concessionnaire de votre région dont le nom figure dans l'annuaire téléphonique ou retourner la pièce défectueuse accompagnée du reçu de l'acheteur à notre usine, PORT PAYÉ, à l'adresse indiquée. LA PRÉSENTE GARANTIE EST LA SEULE GARANTIE IMPLICITE OFFERTE PAR DELTA. TOUTE RÉCLAMATION EN VERTU DE CETTE GARANTIE DOIT ÊTRE FAITE AU COURS DE LA PÉRIODE DE CINQ ANS SUSMENTIONNÉE. TOUTE GARANTIE IMPLICITE, Y COMPRIS LA GARANTIE IMPLICITE DE QUALITÉ MARCHANDE OU

D'ADÉQUATION DU PRODUIT AVEC UN USAGE PARTICULIER, EST LIMITÉE À LA DURÉE DE LA PRÉSENTE GARANTIE. LES FRAIS DE MAIN-D'ŒUVRE ET (OU) LES DOMMAGES PROVOQUÉS AU COURS DE L'INSTALLATION, DE LA RÉPARATION OU DU REMPLACEMENT D'UN ÉLÉMENT AINSI QUE LES PERTES OU LES DOMMAGES INDIRECTS EN RÉSULTANT NE SONT PAS COUVERTS PAR CETTE GARANTIE.

La où il est interdit de limiter la durée de la garantie implicite ou les responsabilités à l'égard des dommages indirects, les exclusions et les limites susmentionnées ne s'appliquent pas.

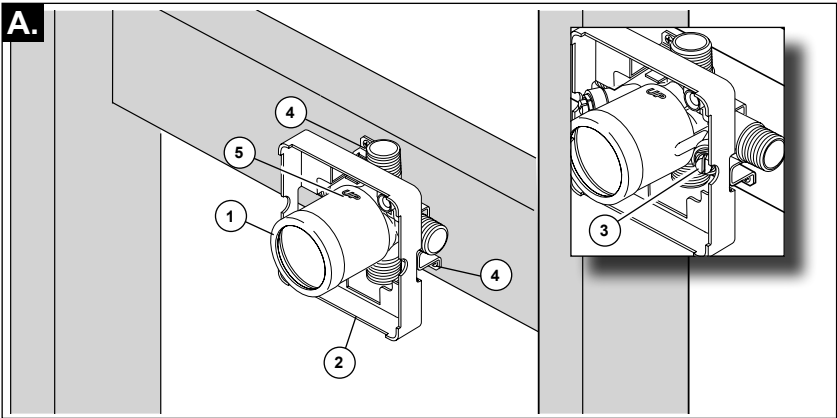
La présente garantie vous donne des droits précis qui peuvent varier selon votre lieu de résidence.

Les dommages résultant d'une mauvaise utilisation, d'une utilisation abusive, de la négligence, d'un accident, d'une mauvaise installation, du non respect de nos instructions ou de l'utilisation de pièces de rechange autres que des pièces d'origine Delta ne sont pas couverts par la garantie.

© 2020 Delta Faucet Company

1

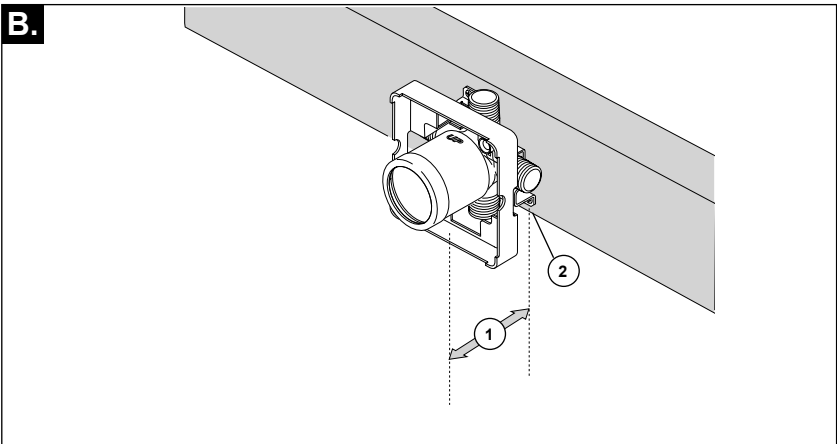
Installation de la plomberie brute MultiChoice® (Lorsque votre produit nécessite)



INTERROMPEZ L'ALIMENTATION EN EAU. Déterminez le type de la paroi et son épaisseur totale avant de placer la plaque arrière. Installez le corps (1) de sorte que la surface finie de la paroi soit à égalité avec l'avant du protecteur (2) \pm 3/8 po.

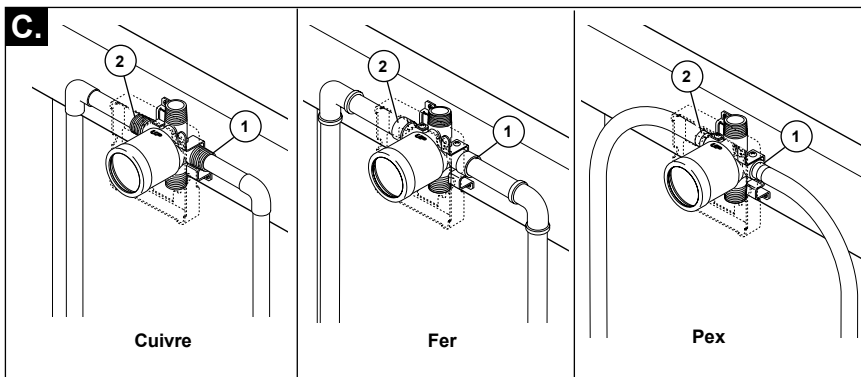
Note : Pour avec des modèles d'arrêts (3), la garde de plâtre doit être l'éclat affleurant ou secondaire 3/8 po au mur

fini. Installez le corps utilisez les deux trous (4) de la fixation qui donnent sur l'entretoise. Au moment de l'installation, assurez-vous que le mot « UP » (5) sur le dessus du corps de robinet se trouve en haut.



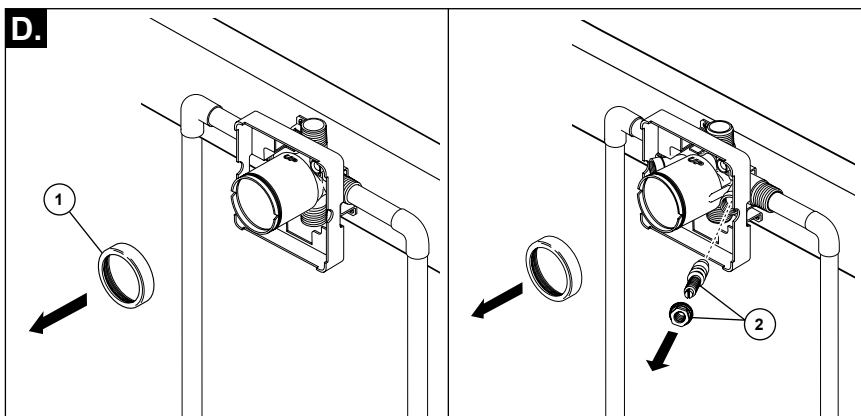
Distance (1) du limon (2) à l'avant du garde-plâtre est de 2,8 "(71 mm).

Lors de l'utilisation d'un mur mince, il vous faut avoir le garde-plâtre derrière le mur, sinon le mur doit toujours affleurer le devant du garde-plâtre. Voir les instructions sur le sac pour un montage mural mince.



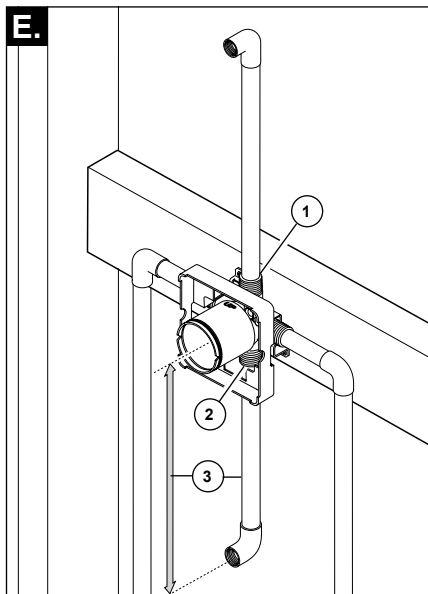
Raccorder le corps de robinet à la tuyauterie (cuivre, fer ou Pex). **Note : (1) correspond à l'entrée d'eau froide et (2) correspond à l'entrée d'eau chaude.** Si l'une des entrées est inutilisée, obturez-la avec un bouchon.

Dans le cas d'une installation dos à dos ou inversée (eau chaude à droite et eau froide à gauche), installez le corps de robinet de la manière indiquée ci-dessus. La tuyauterie d'alimentation doit toutefois être inversée. **Note : (1) est l'entrée d'eau chaude et (2) est l'entrée d'eau froide.**

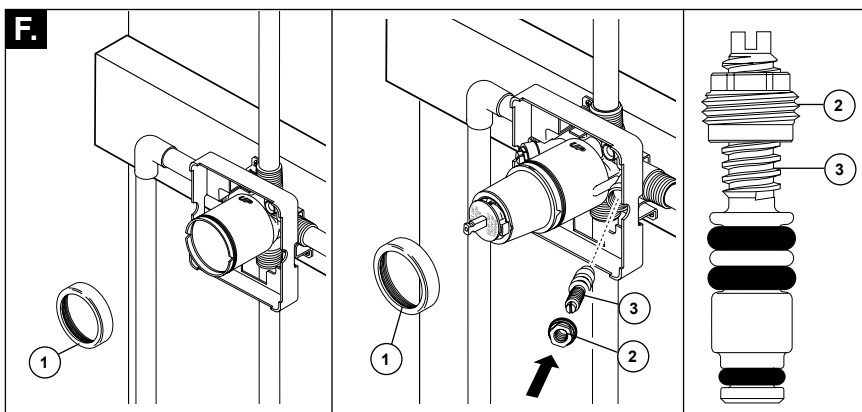


Enlevez le chapeau (1).
Avis : évitez le brasage à haute température. Les composants du robinet brut pourraient s'abîmer.

Soyez sûr que des valves coupées (2) sont enlevées de la version avec des arrêts avant la soudure. (n'installez des valves coupées avant la soudure.)



À l'aide des raccords appropriés, raccordez l'orifice supérieur (1) au tuyau de la douche et l'orifice inférieur (2) au tuyau du bec de baignoire. Le corps de robinet doit être relié au bec de baignoire par un tuyau de cuivre d'au moins 1/2 po (13 mm) ou un tuyau de fer d'au moins 1/2 po (13 mm). Ce tuyau (3) doit être droit et il doit avoir une longueur d'au moins 8 po (203 mm) et d'au plus 18 po (457 mm); il doit être relié au tuyau du bec de baignoire par un seul coude à 90 degrés en cuivre ou en fer. **N'utilisez pas de tube PEX pour raccorder le bec.**



ESSAI SOUS PRESSION ET RINÇAGE DE L'INSTALLATION

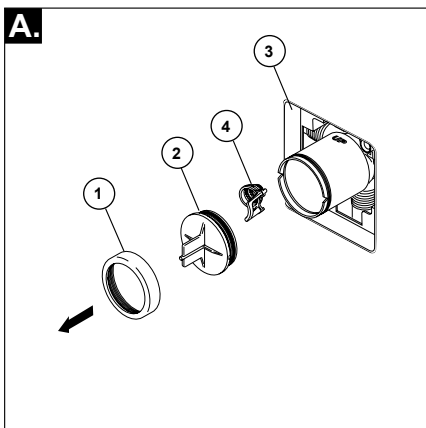
- Pour évacuer les corps étrangers de la robinetterie, enlevez le l'écrou-chapeau (1).
- Préparez l'endroit où l'eau giclera.
- Rétablissez l'alimentation en eau lentement et laissez l'eau s'écouler pendant 30 secondes pour évacuer les corps étrangers.
- Une fois le rinçage terminé, installez la cartouche et l'écrou-chapeau.
- Tournez la tige de la cartouche dans le sens antihoraire jusqu'à ce qu'elle se bloque.

POUR LES MODÈLES MUNIS DE POINTEAUX, installez les pointeaux, mais laissez-les complètement ouverts. Installez les pointeaux de la manière suivante :

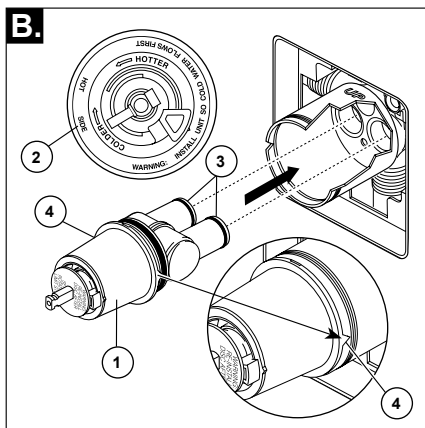
- Vissez l'écrou (2) sur la tige (3) de la manière indiquée sur la figure. Enfoncez ensuite la tige avec l'écrou dans le corps et serrez l'écrou à l'aide d'une douille longue à 6 pans de 3/8 po. À l'aide d'un tournevis à extrémité plate, tournez la tige dans le sens horaire pour fermer l'arrivée d'eau et dans le sens antihoraire pour l'ouvrir.
- Bouchez la(les) sortie(s) pour le bec de baignoire et/ou la douche à l'aide des raccords appropriés.
- Vérifiez l'étanchéité.
- Après avoir vérifié l'étanchéité, fermez la soupape en tournant la tige de la cartouche à fond dans le sens horaire.

2

Installation de la cartouche

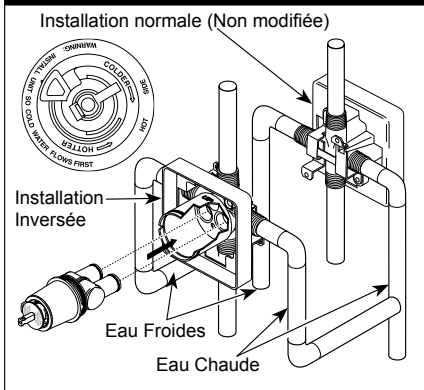


Interrompez l'arrivée d'eau. Enlevez le l'écrou à portée sphérique (1) et le capuchon d'essai (2) du corps. Si vous n'installez pas l'appareil dans une paroi mince, vous pouvez retirer le protecteur (3) complètement. Si l'écran (4) est en place, enlevez avant d'installer la cartouche.

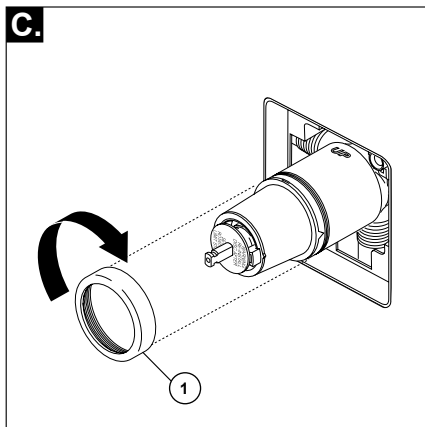


Tournez la cartouche (1) de sorte que la mention « hot side » (2) se trouve du côté gauche. Introduisez la cartouche dans le corps de la soupape comme le montre la figure. Assurez-vous que les tubes et les joints toriques (3) de la cartouche sont bien calés à la base du corps. Assurez-vous que les ergots sur le corps sont parfaitement engagés dans les rainures du corps (4).

Installation dos à dos

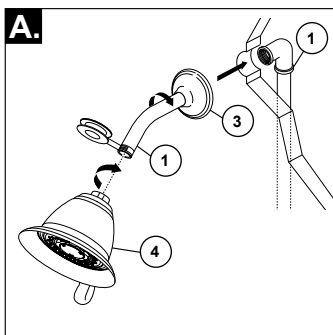


Dans le cas d'une installation dos à dos ou inversée (eau chaude à droite et eau froide à gauche), introduisez la cartouche de sorte que la mention « hot side » se trouve du côté droit. S'il ne s'agit pas d'une installation dos à dos ou inversée, sautez la présente étape et passez à l'étape 2C.



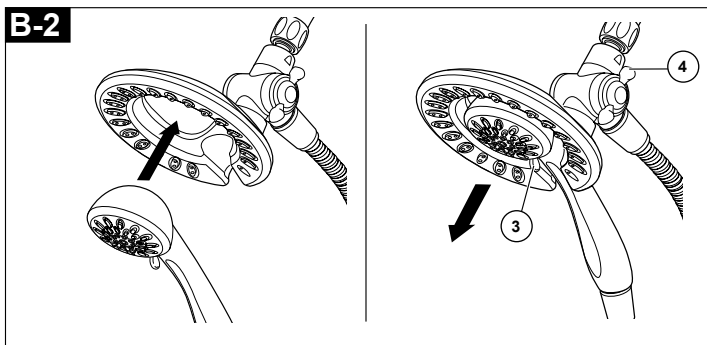
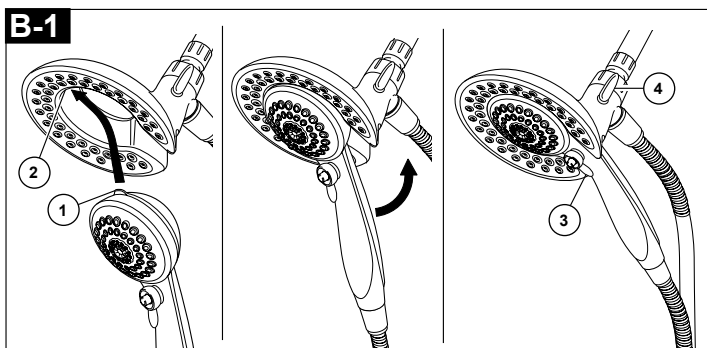
Faites glisser l'écrou à portée sphérique (1) sur la cartouche et vissez-le sur le corps. Serrez à la main fermement.

3 Installation de la pomme de douche et du bec de baignoire



INSTALLATION DE LA POMME DE DOUCHE :

Raccordez la sortie supérieure (1) au tuyau d'alimentation de la pomme de douche (2) à l'aide des raccords appropriés. Pour éviter d'abîmer le fini du tuyau de la pomme de douche, introduisez le côté « mur » de celui-ci dans la collerette (3) avant de le visser dans le raccord du tuyau vertical. Appliquez du ruban de plomberie sur les filets. Vissez la pomme de douche (4) sur le tuyau. Appliquez du ruban de plomberie sur les filets. Prenez garde de serrer la pomme de douche excessivement.



B-1: Pour combiner les deux douches, introduisez la patte supérieure (1) de la douche à main dans la rainure (2) de la pomme de douche. Poussez la douche à main dans la pomme de douche jusqu'à ce que les deux éléments se bloquent ensemble et deviennent solidaires.

B-2: Pour combiner les deux douches, poussez la douche à main dans la pomme de douche, tirez ensuite sur la douche à main pour la verrouiller avec la pomme de douche.

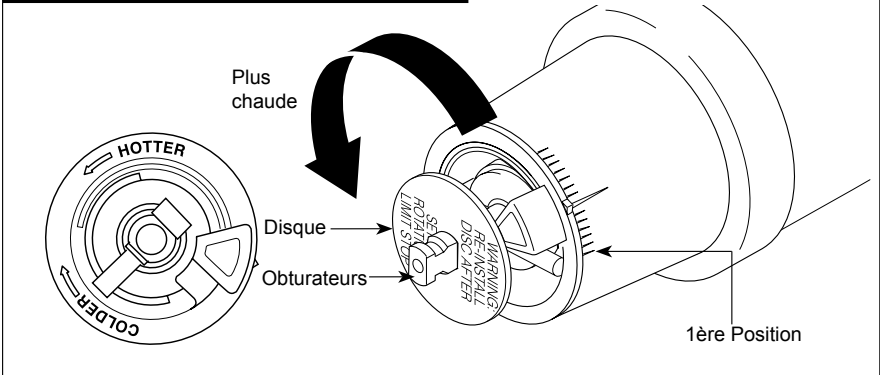
Si la pomme de douche bouge pendant que vous retirez la douche à main, serrez le raccord entre la pomme de douche et le bras de douche à la main.

Pour changer le mode de pulvérisation, tournez la manette (3) vers la gauche ou la droite selon le réglage désiré. Utilisez le bouton (4) pour sélectionner les modes douche seulement, douche et douche à main ou douche à main seulement.

INSTALLATION DU BEC DE BAIGNOIRE :

Consultez les instructions d'installation fournies avec le bec. Ne raccordez pas à une soupape murale à un bec conçu pour être monté sur une plage. Ne raccordez pas une douche à main à la sortie d'un robinet de baignoire-douche prévue pour un bec de baignoire. N'utilisez pas de tube PEX pour raccorder le bec.

A-Pour RLS avec disque amovible

**IMPORTANT:**

La butée antiéchaudage sert à limiter la quantité d'eau chaude disponible de sorte que l'utilisateur ne risque pas d'être ébouillanté si la manette est amenée à l'extrémité de la plage du côté « Eau chaude » par inadvertance alors que quelqu'un se trouve sous la douche ou dans la baignoire. La première position est celle qui laisse passer le MOINS d'eau chaude à mélanger avec l'eau froide. À la première position, l'eau est aussi froide que possible alors que la manette se trouve à l'extrémité de la plage du côté « Eau chaude ». En tournant la butée antiéchaudage, vous ajoutez progressivement de plus en plus d'eau chaude au mélange. La dernière position à gauche est celle qui laisse passer le plus d'eau chaude et le risque d'ébouillantage est plus élevé si quelqu'un amène la manette à l'extrémité de la plage du côté « Eau chaude » par inadvertance alors que quelqu'un d'autre se trouve sous la douche ou dans la baignoire.

MISE EN GARDE : Dans certains cas, l'ébouillantage est possible si la butée antiéchaudage se trouve à la position la plus chaude (à l'extrémité de la plage dans le sens antihoraire). Il faut régler la butée antiéchaudage de manière que l'eau s'écoulant du robinet ne puisse causer de brûlures à l'usager alors que la manette est à la position « Eau chaude ».

- Selon la plupart des normes en vigueur dans l'industrie, la température de l'eau à la sortie du robinet ne doit pas dépasser 120 °F (certains codes de plomberie peuvent prescrire une température inférieure à cette valeur).
- La butée antiéchaudage peut devoir être réglée à chaque saison si la température de l'eau d'alimentation change. Par exemple, la température de l'eau froide est plus basse

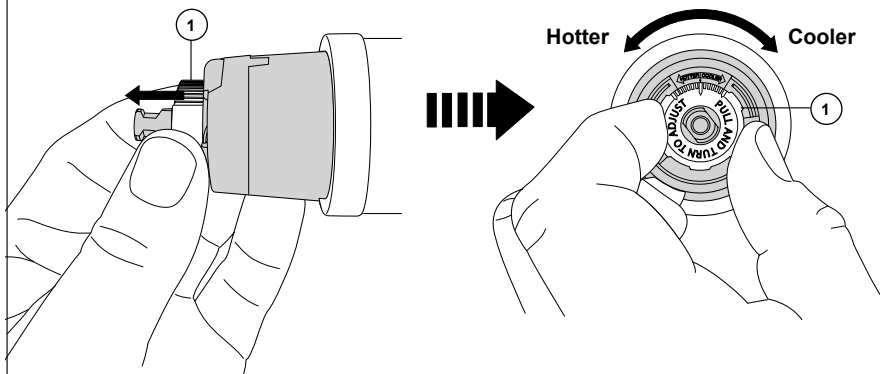
en hiver qu'en été, ce qui peut entraîner une variation de la température à la sortie du robinet. La température idéale pour la douche ou le bain se situe généralement entre 90 °F - 110 °F.

- Faites couler l'eau de sorte qu'elle soit aussi froide que possible et aussi chaude que possible. Placez ensuite la manette sur la tige (reportez-vous à la page 8, étape 4C) et tournez la manette dans le sens antihoraire jusqu'à l'extrémité de la plage.
- Placez un thermomètre dans un gobelet en plastique et mettez celui-ci sous le jet d'eau. Si la température de l'eau est supérieure à 120°F, tournez la butée antiéchaudage dans le sens horaire pour abaisser la température de l'eau à la sortie du robinet sous 120°F ou à une valeur conforme aux exigences du code de plomberie de votre région.
- Pour régler la température de l'eau qui s'écoule de la soupape, amenez le disque dans une position où il est possible d'enlever la butée de température et engagez les dents dans les encoches qui correspondent à la température désirée. La température diminue dans le sens horaire et augmente dans le sens antihoraire. La variation de température est de 4 à 16 °F par cran, selon la température de l'eau d'alimentation. Refaites le réglage au besoin. Remettez le disque jusqu'à ce qu'entièrement assis.

MISE EN GARDE : Il y a risque d'ébouillantage si on omet de réinstaller le disque après avoir réglé la butée de o caliente.

- ASSUREZ-VOUS QUE L'EAU FROIDE S'ÉCOULE DE LA SOUPAPE EN PREMIER. ASSUREZ-VOUS QUE LA TEMPÉRATURE DE L'EAU NE PEUT DÉPASSER 120 °F OU LA VALEUR MAXIMALE AUTORISÉE PAR LE CODE DE PLOMBERIE DE VOTRE RÉGION.

B-Pour RLS avec réglage Tirer / tourner



IMPORTANT:

La butée antiéchaudage sert à limiter la quantité d'eau chaude disponible de sorte qu'une blessure par échaudage est moins susceptible de se produire. Si la manette est amenée à l'extrémité de la plage du côté « Eau chaude » par inadvertance alors que quelqu'un se trouve sous la douche ou dans la baignoire. La première position est celle qui laisse passer le MOINS d'eau chaude à mélanger avec l'eau froide. À la première position, l'eau est aussi froide que possible alors que la manette se trouve à l'extrémité de la plage du côté « Eau chaude ». En tournant la butée antiéchaudage, vous ajoutez progressivement de plus en plus d'eau chaude au mélange. La dernière position à gauche est celle qui laisse passer le plus d'eau chaude et le risque d'ébouillantage est plus élevé si quelqu'un amène la manette à l'extrémité de la plage du côté « Eau chaude » par inadvertance alors que quelqu'un d'autre se trouve sous la douche ou dans la baignoire.

MISE EN GARDE : Dans certains cas, l'ébouillantage est possible si la butée antiéchaudage se trouve à la position la plus chaude (à l'extrémité de la plage dans le sens antihoraire). Il faut régler la butée antiéchaudage de manière que l'eau s'écoulant du robinet ne puisse causer de brûlures à l'utilisateur alors que la manette est à la position « Eau chaude ».

- Selon la plupart des normes en vigueur dans l'industrie, la température de l'eau à la sortie du robinet ne doit pas dépasser 120 °F (certains codes de plomberie peuvent prescrire une température inférieure à cette valeur).
- La butée antiéchaudage peut devoir être réglée à chaque saison si la température de

l'eau d'alimentation change. Par exemple, la température de l'eau froide est plus basse en hiver qu'en été, ce qui peut entraîner une variation de la température à la sortie du robinet. La température idéale pour la douche ou le bain se situe généralement entre 90 °F - 110 °F.

- Faites couler l'eau de sorte qu'elle soit aussi froide que possible et aussi chaude que possible. Placez ensuite la manette sur la tige (reportez-vous à la page 8, étape 4C) et tournez la manette dans le sens antihoraire jusqu'à l'extrémité de la plage.

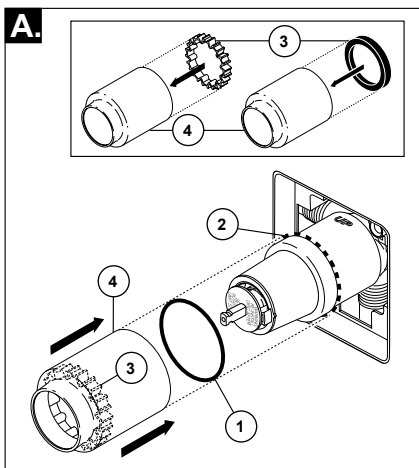
- Placez un thermomètre dans un gobelet en plastique et mettez celui-ci sous le jet d'eau. Si la température de l'eau est supérieure à 120°F, tournez la butée antiéchaudage dans le sens horaire pour abaisser la température de l'eau à la sortie du robinet sous 120°F ou à une valeur conforme aux exigences du code de plomberie de votre région.

- Pour régler la température de l'eau qui s'écoule de la soupape, tirez vers l'extérieur l'arrêt de limite de rotation et tournez. La température diminue dans le sens horaire et augmente dans le sens antihoraire. La variation de température est de 4 à 16 °F par cran, selon la température de l'eau d'alimentation. Refaites le réglage au besoin. Lorsque vous avez fini, assurez-vous que l'arrêt de limite de rotation soit complètement rétracté dans sa position de logement.

AVERTISSEMENT: Ne détachez pas l'arrêt de limite de rotation.

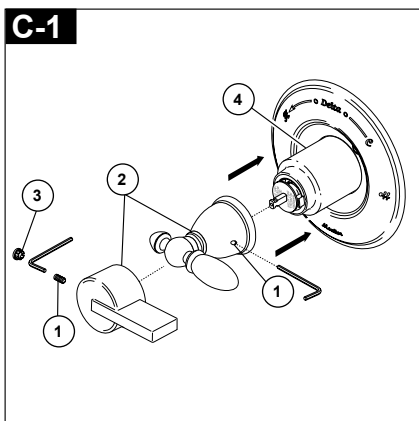
- ASSUREZ-VOUS QUE L'EAU FROIDE S'ÉCOULE DE LA SOUPAPE EN PREMIER. ASSUREZ-VOUS QUE LA TEMPÉRATURE DE L'EAU NE PEUT DÉPASSER 120 °F OU LA VALEUR MAXIMALE AUTORISÉE PAR LE CODE DE PLOMBERIE DE VOTRE RÉGION.

5 Installation des pièces de finition

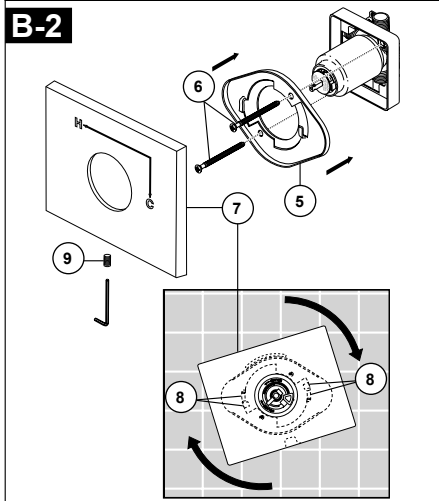
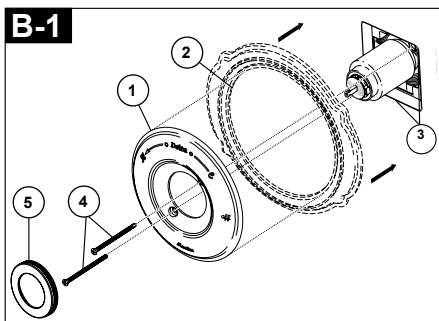


Faites glisser le joint torique (1) sur la cartouche et l'écrou à portée sphérique (2). Le joint sert de pièce d'espacement et il stabilise le manchon; il doit se trouver derrière l'écrou à portée sphérique.

Si le modèle que vous installez nécessite une pièce d'espacement (3), introduisez-la dans le manchon (4) et poussez-la vers l'avant. Faites glisser le manchon sur la cartouche, le corps et le joint torique.



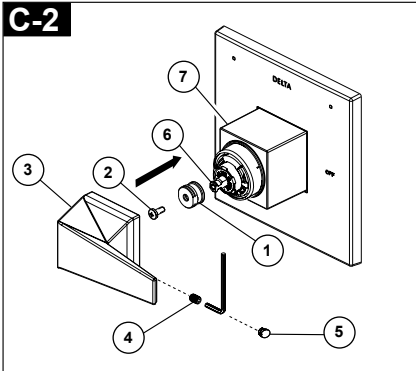
Veillez fixer la vis de réglage (1) à l'aide d'une clé Allen, installer la poignée (2) sur la tige et serrer la vis de réglage. Veillez insérer le bouton de prise (3) (si votre modèle en possède un) dans le trou de vis de réglage. Réglez le manchon (4) pour réduire l'écart entre le manchon et la manette autant que possible.



Remarque: Veuillez ajuster pour un mur jusqu'à l'épaisseur de 1". Pour une installation sur un mur épais, veuillez visiter le site Web delta faucet, et consulter «Voir les spécifications techniques» des modèles achetés, et commander le kit d'installation RP approprié pour obtenir un mur supplémentaire de l'épaisseur de 1 3/4".

B-1: Veuillez fixer la rosace (1) et la plaque arrière (2) (si le modèle a une) sur le support (3) à l'aide des 2 vis (4) fourni. Ne serrez pas excessivement les vis de la rosace. Appuyez le couvercle (5) sur l'écusson (1) lorsque votre produit comprend le couvercle.

B-2: Veuillez installer le support (5) sur le corps de la cartouche à l'aide des 2 vis (6) fournies. Veuillez installer l'écusson (7) en le plaçant sur le support comme indiqué et en le tournant pour verrouiller les languettes (8). Veuillez fixer l'écusson au support à l'aide de la vis de réglage (9).

C-2

Veillez installer l'adaptateur (1) sur la tige de la cartouche (6) avec la vis (2).

Veillez visser légèrement la vis de réglage (4) dans la poignée (3), mettre la poignée (3) sur l'adaptateur (1), maintenir et régler la poignée (3) en position OFF pour vous assurer qu'elle est bien alignée avec le manchon (7). Veillez serrer ensuite la vis de réglage (4).

Veillez appliquer une pression, insérer le bouton (5) jusqu'à ce qu'il soit correctement installé.

Réglez le manchon (7) pour réduire l'écart entre le manchon et la manette autant que possible.

Instructions de nettoyage

Il faut le nettoyer avec soin. Même si son fini est extrêmement durable, il peut être abîmé par des produits fortement abrasifs ou des produits de polissage. Il faut simplement le frotter doucement avec un chiffon humide et le sécher à l'aide d'un chiffon doux.

AVERTISSEMENT: N'employez pas le nettoyeur pour salle de bain Scrubbing Bubbles® ni le Nettoyeur de Lavabos,

de Baignoires et de Carreaux Lysol® sur les manettes et les poignées sphériques transparentes. Ces produits peuvent faire fissurer les poignées et les manettes ou les abîmer gravement. Si ces poignées ou ces manettes sont aspergées accidentellement par l'un ou l'autre des produits mentionnés, les essuyer immédiatement à l'aide d'un chiffon de coton doux.

Maintenance

Le robinet fuit par le bec ou la pomme de douche. COUPER L'EAU.

Remplacer les sièges et les ressorts (kit de réparation RP4993. Vérifier l'état des joints toriques inférieurs et remplacer ceux-ci au besoin (RP14414). Voir les conseils 1, 2, et 3.

Si la fuite persiste, COUPER L'EAU.

Remplacer la cartouche RP46074. Voir les conseils 1, 2, 3, 4 et 5.

La température de l'eau n'est pas constante.

Remplacer le boîtier par un boîtier RP46074 ou suivre les instructions des conseils 1, 2, 3, 4 et 5.

Conseils:

1. Avant d'enlever la cartouche de la soupape aux fins d'entretien, prenez note de la position de la butée de température maximale sur le chapeau. La cartouche doit toujours être reposée dans la même position. **NE PAS PRENDRE DE RISQUES INUTILEMENT.** Une fois l'installation terminée, ouvrir le robinet pour s'assurer que L'EAU FROIDE S'ÉCOULE EN PREMIER.
2. Pour déposer la cartouche du corps, couper l'eau,

puis retirer la poignée et le chapeau fileté. Ne pas utiliser un tournevis comme levier pour extraire la cartouche. Placer la poignée sur la tige et la tourner dans le sens antihoraire d'environ 1/4 de tour après contact des butées. Soulever la cartouche pour la retirer du corps.

3. Pour déposer les sièges et les ressorts Enlever la cartouche. Séparer la soupape du boîtier en la tournant de 90 degrés dans le sens antihoraire. Écarter ensuite la soupape du boîtier.

4. Si l'eau d'alimentation du robinet à équilibrage de pression renferme du calcaire, du fer, du sable ou d'autres corps étrangers, celui-ci doit faire l'objet d'inspections périodiques. La fréquence des inspections dépend de la quantité de corps étrangers dans l'eau. Pour inspecter la cartouche, la déposer et suivre les instructions de la note 1 ci-dessus. Ouvrir la soupape en position de plein mélange et secouer la cartouche vigoureusement. Si des cliquetis se font entendre, le composant est en bon état et peut être reposé conformément aux instructions de la note 1 ci-dessus. Si on n'entend pas de cliquetis, remplacer le boîtier.

5. Remettez le disque jusqu'à ce qu'entièrement assis. Voir la page 9 pour plus de détails.

Fiche de référence sommaire de la cartouche

Monitor® Series 1300/1400

Cartouche expédiée avant mars 2006.	Cartouche expédiée en juillet 2006 et par la suite (avant la transition à MultiChoice®).
<p>Logement inférieur plus court</p> <p>Blanc</p> <p>Bleu ou blanc cassé</p>	<p>Logement inférieur plus court</p> <p>Blanc</p> <p>Bleu</p>
Commandez le kit RP19804 pour remplacer la cartouche.	Commandez le kit RP19804 pour remplacer la cartouche.

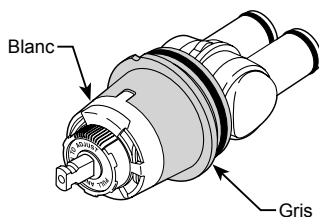
MultiChoice® 13/14

Cartouche expédiée entre mars 2006 et août 2014.	Cartouche expédiée en août 2014 et par la suite.
<p>Logement inférieur plus long</p> <p>Gris</p> <p>Blanc cassé</p>	<p>Logement inférieur plus long</p> <p>Gris</p> <p>Blanc cassé</p>
Commandez le kit RP46074 pour remplacer la cartouche.	Commandez le kit RP46074 pour remplacer la cartouche.

NOTE : Un changement a été apporté aux soupapes MultiChoice® de la série 13/14 en cours de production. Elles sont munies d'une nouvelle butée de température maximale.

MultiChoice® 13/14 (Céramique)

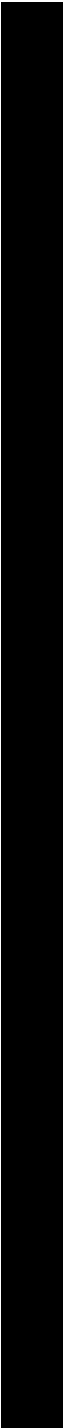
Expédition de la cartouche selon les modèles sélectionnés (-CER).



Commandez le kit RP74236 pour remplacer la cartouche.

Notes/Notas/Notes

Notes/Notas/Notes



see what Delta can do™

Delta Faucet Company
Product Service
55 E. 111th Street
Indianapolis, IN 46280