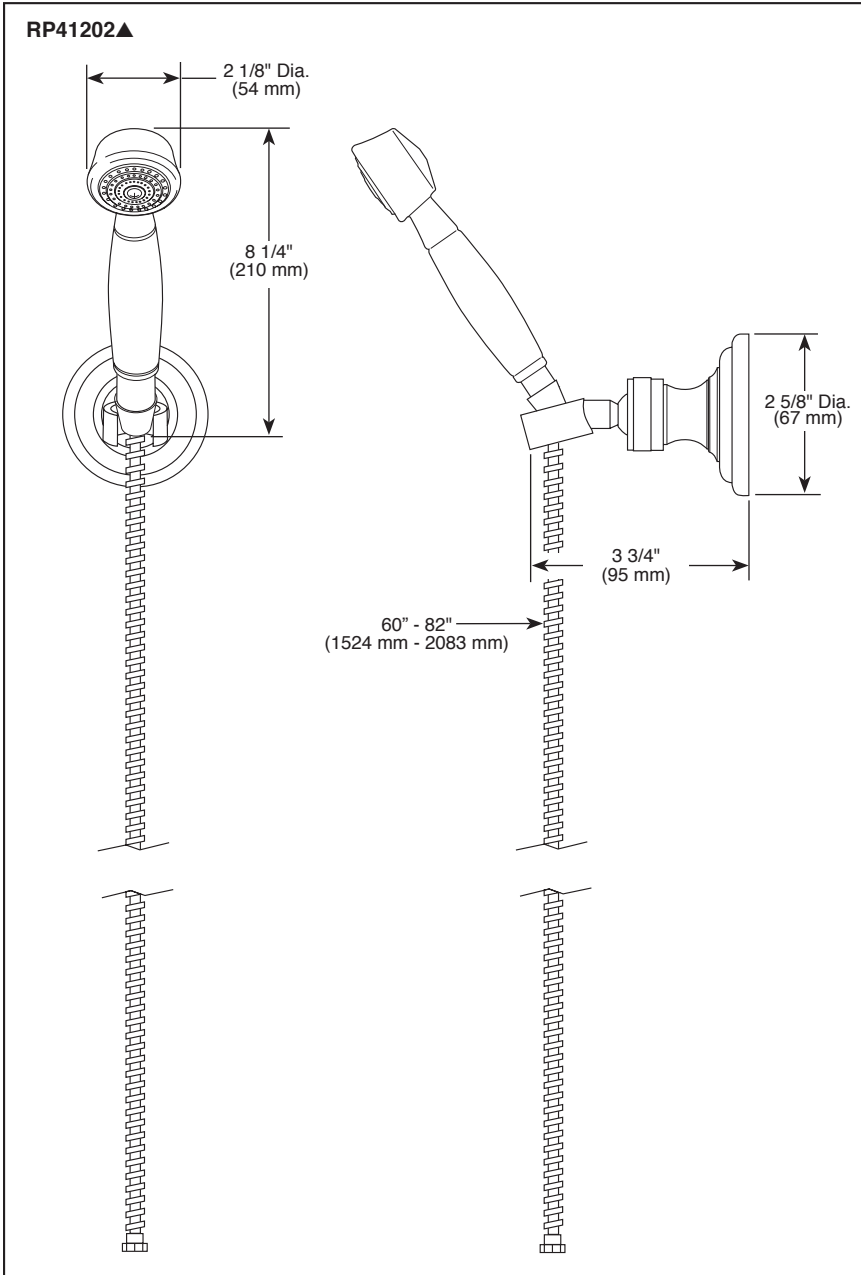


Submitted Model No.: _____
 Specific Features: _____



▲ Designate proper finish suffix

BRIZO®

WALL MOUNT HAND SHOWER

■ Vesi® Bath Collection

STANDARD SPECIFICATIONS:

- 2.0 GPM @ 80 PSI, 7.6 L/min @ 552 kPa
- 60" - 82" (1524 mm - 2083 mm) stretchable finished metal hose
- Single function spray
- Includes handspray, hose and wall mounting
- Integral backflow protection
- Certified dual check valves

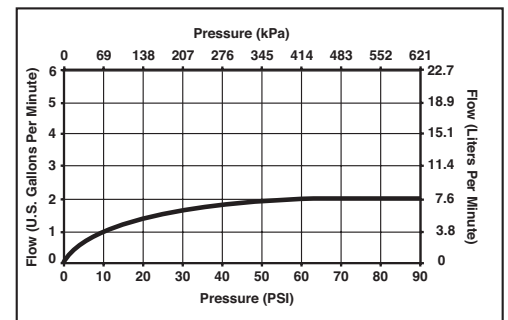
WARRANTY

- Lifetime limited warranty on parts (other than electronic parts and batteries) and finishes; or, for commercial users, for 5 years from date of purchase.
- 5 year limited warranty on electronic parts (other than batteries); or, for commercial users, for 1 year from the date of purchase. No warranty is provided on batteries.



COMPLIES WITH:

- ASME A112.18.1 / CSA B125.1



Delta reserves the right (1) to make changes in specifications and materials, and (2) to change or discontinue models, both without notice or obligation. Dimensions are for reference only. See current full-line price book or www.brizo.com for finish options and product availability.