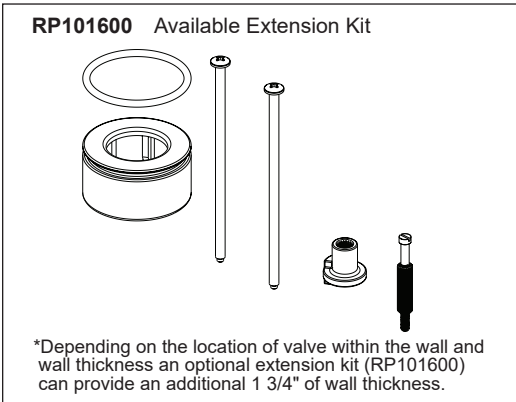
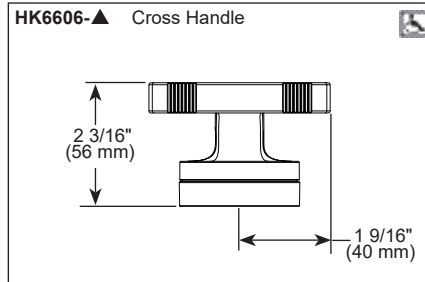
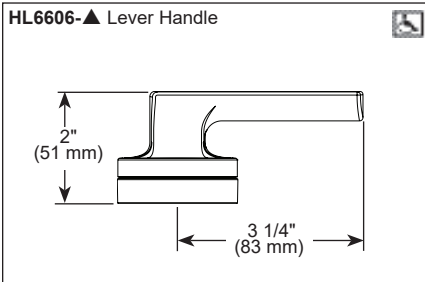
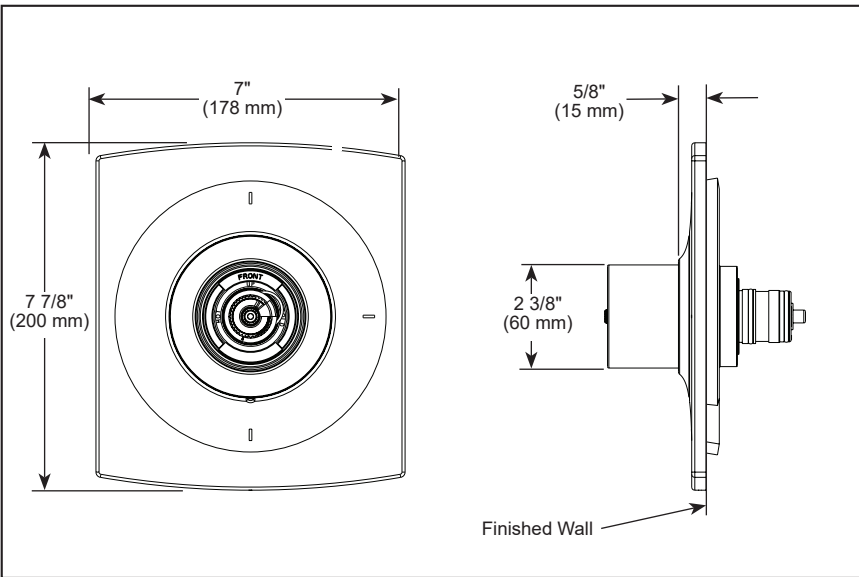


Submitted Model No.: _____

Specific Features: _____



▲ Designate proper finish suffix

Brizo reserves the right (1) to make changes in specifications and materials, and (2) to change or discontinue models, both without notice or obligation. Dimensions are for reference only. See current full-line price book or www.brizo.com for finish options and product availability.

BSP-B-T66T006-LHP Rev. A

BRIZO[®]

SENSORI[®] CUSTOM SHOWER TRIM

- Kintsu™ Collection
- Thermostatic Control Trim

FEATURES:

- Sensori[®] Thermostatic Control


STANDARD SPECIFICATIONS

- Must also order Sensori[®] thermostatic valve rough
- Includes Sensori[®] thermostatic cartridge
- Thermostatic wax element maintains the outlet temp to +/- 3.6° F
- Handle controls temperature only; must be used with one or more Sensori[®] volume controls
- Field adjustable to limit rotation into hot water zone
- All parts are replaceable from the front of the valve
- Adjusts for up to 5/8" wall thickness. Optional extension kit (RP101600) available
- Must order handles separately. See handle options below.

WARRANTY

- Parts and Finish - Lifetime limited warranty; or for commercial purchasers, 10 years for multi-family residential (apartments and condominiums) and 5 years for all other commercial uses, in each case from the date of purchase.
- Electronic Parts and Batteries (if applicable) - 5 years from the date of purchase; or for commercial purchasers, 1 year from the date of purchase. No warranty is provided on batteries.

COMPLETE VALVE COMPLIES WITH:

- ASME A112.18.1 / CSA B125.1
-  Indicates compliance to ICC/ANSI A117.1

Brizo Kitchen & Bath Company

55 E. 111th Street, Indianapolis, IN 46280
 350 South Edgeware Road, St. Thomas, ON N5P 4L1
 © 2020 Brizo Kitchen & Bath Company