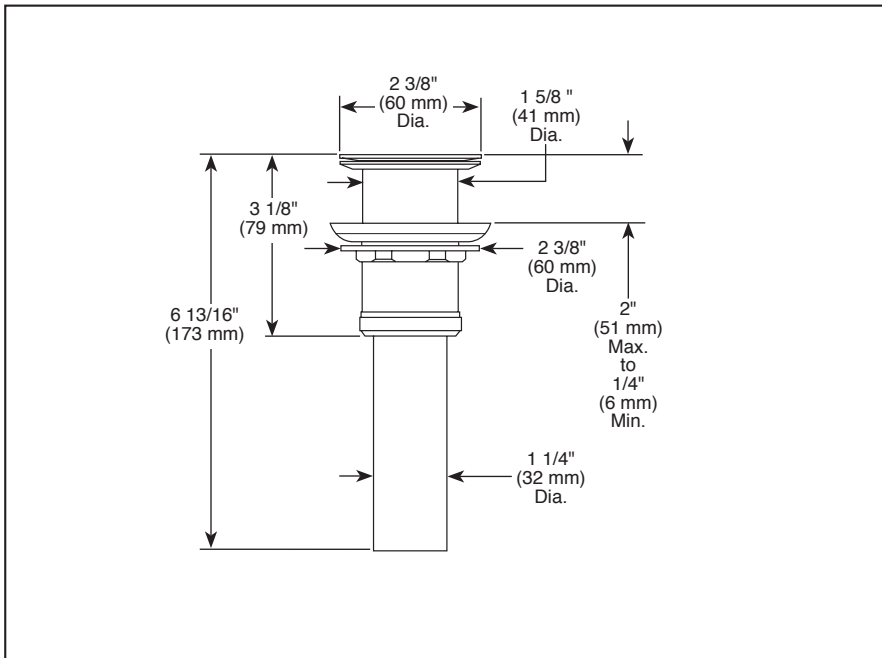


Submitted Model No.: _____

Specific Features: _____



▲ Designate Proper Finish Suffix

BRIZO®

GRID STRAINER LAVATORY DRAIN ASSEMBLY

- Grid Strainer Drain
- For Use with Lavatory Sinks Less Overflow Drain Holes

STANDARD SPECIFICATIONS:

- Grid strainer drain.
- For use with lavatory sinks less overflow drain holes.
- Fits sinks with standard 1 5/8" drain hole size.

WARRANTY

- Lifetime limited warranty on parts (other than electronic parts and batteries) and finishes: or, for commercial users, for 5 years from date of purchase.
- 5 year limited warranty on electronic parts (other than batteries); or, for commercial users, for 1 year from the date of purchase. No warranty is provided on batteries.



COMPLIES WITH:

- ASME A112.18.2 / CSA B125.2