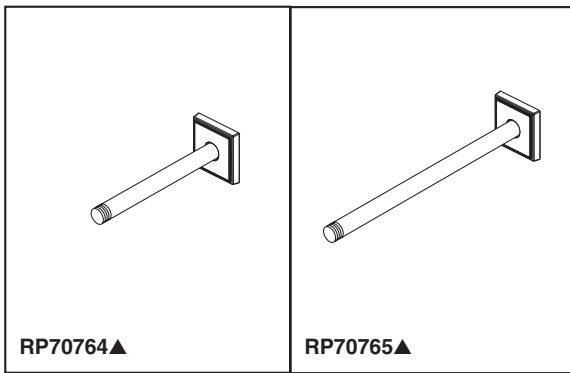


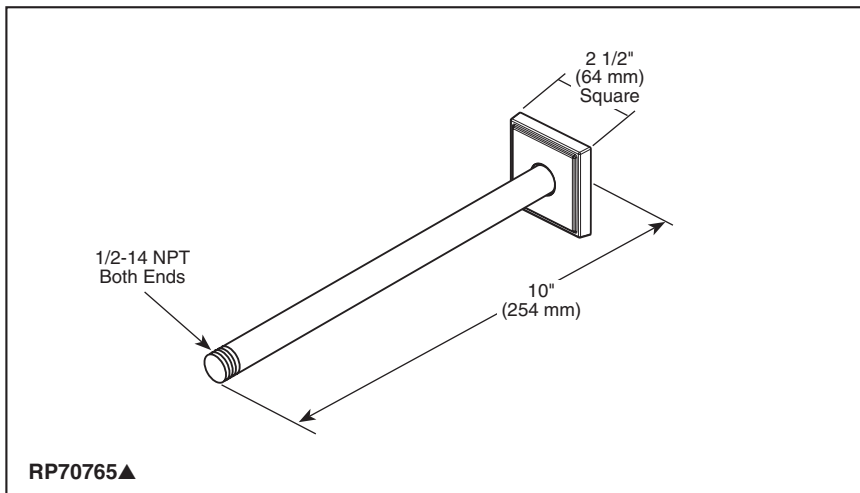
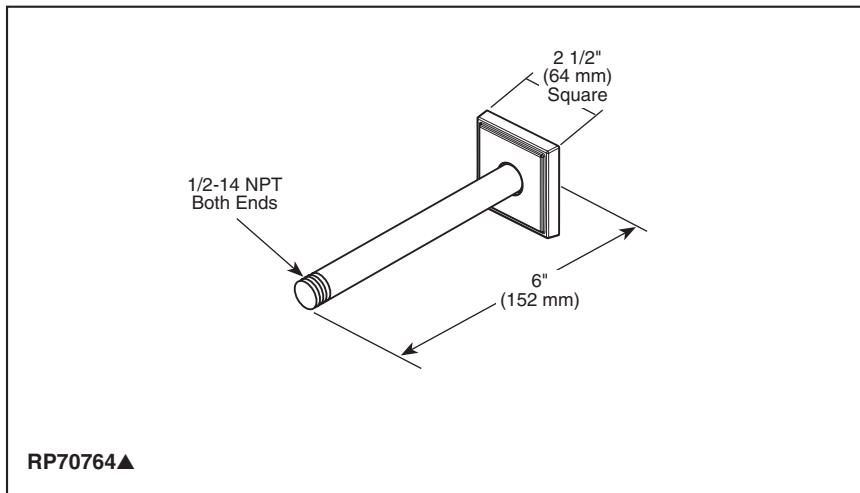
BRIZO®

CEILING MOUNT SHOWERARMS AND FLANGE



Submitted Model No.: _____

Specific Features: _____



▲ Designate proper finish suffix

STANDARD SPECIFICATIONS:

- Nipples and flange are of solid metal construction.
- Adjustable flange is held in place on showerarm by rubber friction ring.

WARRANTY

- Lifetime Faucet and Finish Limited Warranty to the original consumer purchaser to be free from defects in material and workmanship.
- 5 Year Limited Warranty for usage in all industrial, commercial and business applications.

COMPLIES WITH:

- ASME A112.18.1 / CSA B125.1