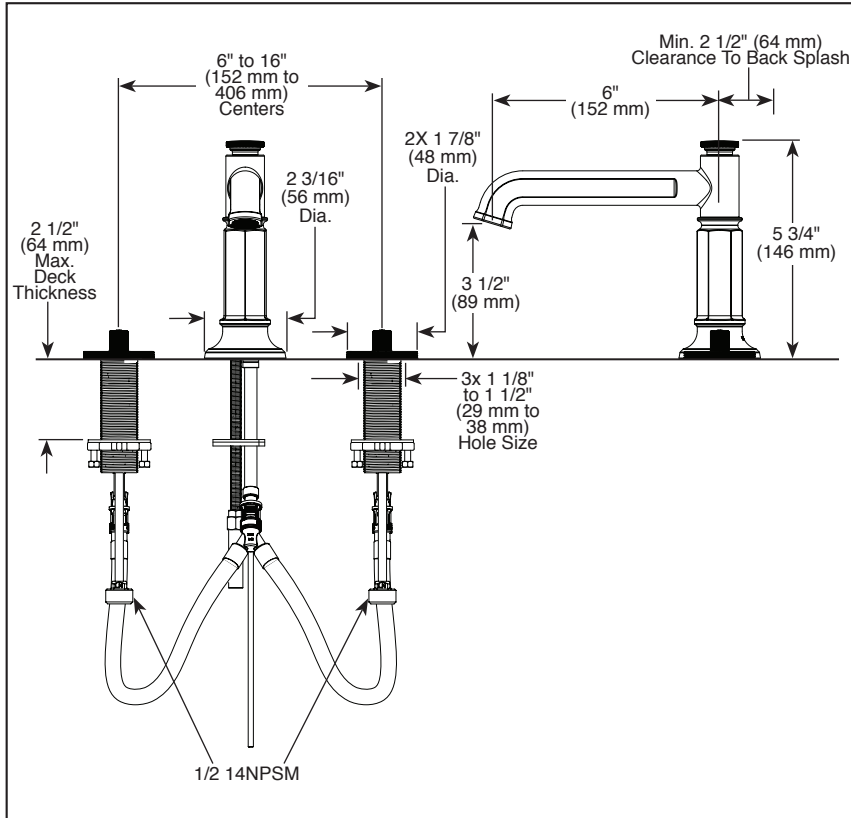




65377LF-▲LHP
65377LF-▲LHP-ECO

Submitted Model No.: _____

Specific Features: _____



BRIZO®

BATHROOM FAUCET

- Invari™ Collection
- Two Handle Widespread Deck Mount

STANDARD SPECIFICATIONS:

- Maximum 1.5 gpm @ 60 psi, 5.7 L/min @ 414 kPa
- Maximum [ECO model only] 1.2 gpm @ 60 psi, 4.5 L/min @ 414 kPa
- Three hole mount
- Control mechanism is a rotating cylinder ceramic cartridge with 90° rotation
- 1/2-14 NPSM threaded inlets
- Solid brass fabricated end valve and spout bodies
- Spout features laminar water flow
- Handles sold separately

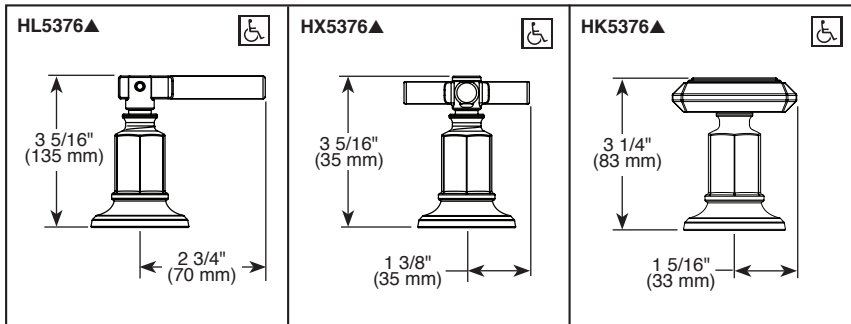
WARRANTY

- Parts and Finish - Lifetime limited warranty; or for commercial purchasers, 10 years for multi-family residential (apartments and condominiums) and 5 years for all other commercial uses, in each case from the date of purchase.
- Electronic Parts and Batteries (if applicable) - 5 years from the date of purchase; or for commercial purchasers, 1 year from the date of purchase. No warranty is provided on batteries.



COMPLIES WITH:

- ASME A112.18.1 / CSA B125.1
- ASME A112.18.2 / CSA B125.2
- Indicates compliance to ICC/ANSI A117.1
- EPA WaterSense® - ECO model only



▲ Designate Proper Finish Suffix