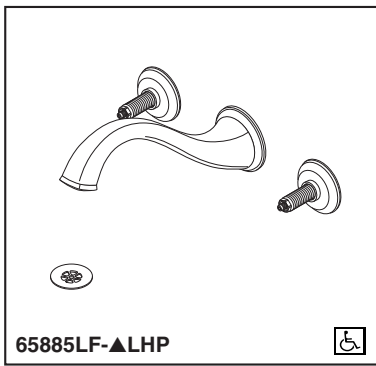


BRIZO®

LAVATORY FAUCETS

- Charlotte™ Bath Collection
- Two Handle Wall-Mounted Lavatory
- Three Hole Applications
- 8 1/4" Solid Metal Spout



Submitted Model No.: _____
 Specific Features: _____

STANDARD SPECIFICATIONS:

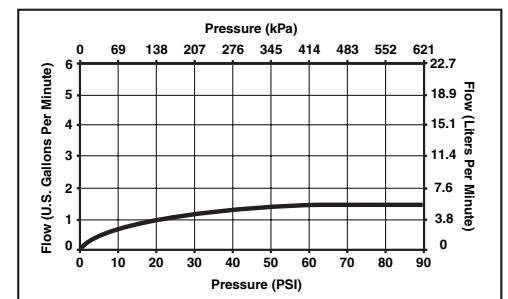
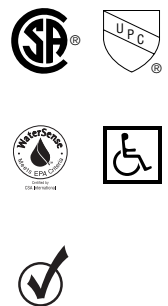
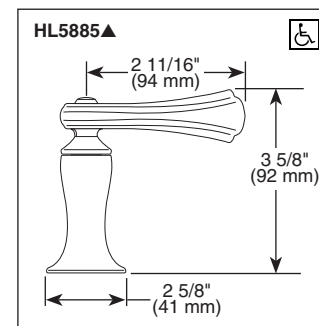
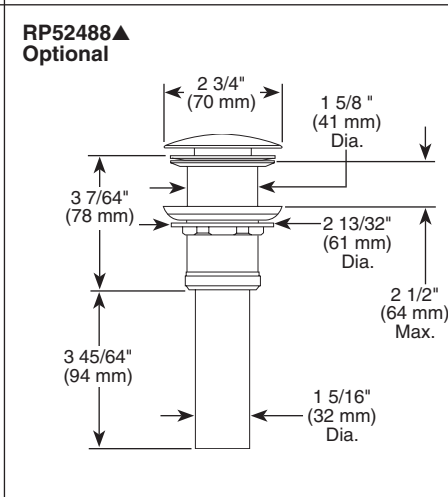
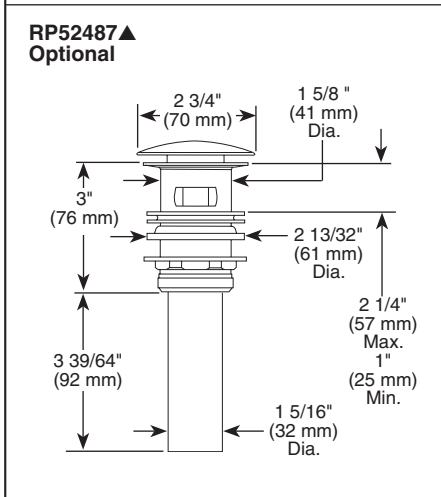
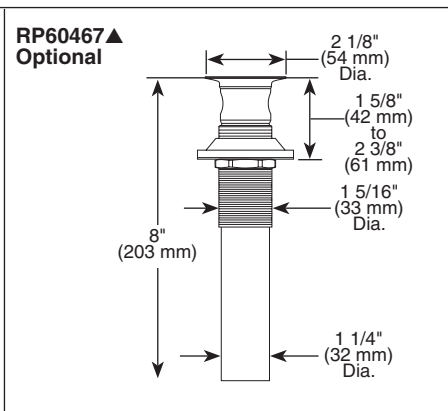
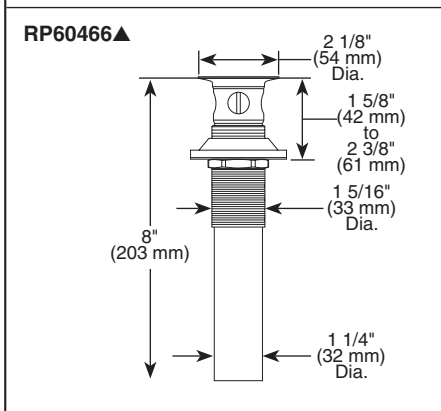
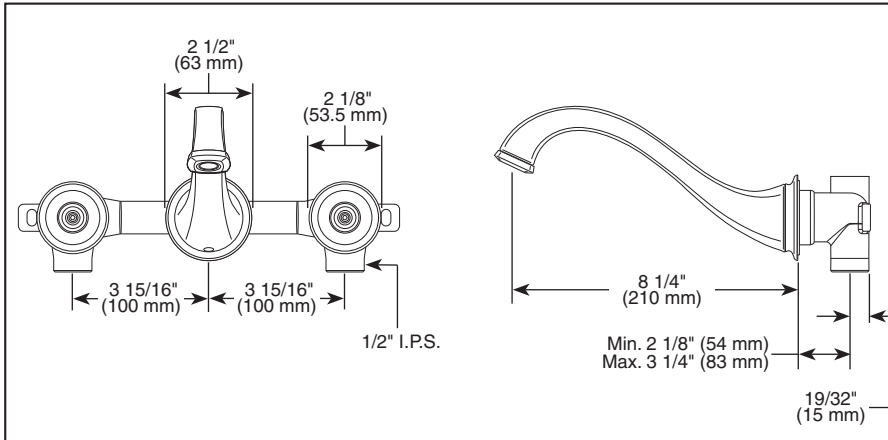
- Two handle lavatory faucet for concealed mounting in 3 hole wall applications.
- 8 1/4" solid metal spout.
- LHP - Less Handle Program. See handle options below.
- Control mechanism shall be of the rotating ceramic cylinder type with 90° (1/4 turn) rotation.
- 8" centers, 4" distance between holes.
- Recommend 1 1/2" hole size.
- Adjustable roughing in dimensions: 2 1/8" to 3 1/4".
- 1/2" I.P.S. inlets.
- Metal grid strainer with overflow included.
- Optional grid strainer without overflow (RP60467), push button pop-up with overflow (RP52487) or push button pop-up without overflow (RP52488).
- Maximum flow rate 1.5 gpm @ 60 PSI.

WARRANTY

- Lifetime Faucet and Finish Limited Warranty to the original consumer purchaser to be free from defects in material and workmanship.
- 5 Year Limited Warranty for usage in all industrial, commercial and business applications.

COMPLIES WITH:

- ASME A112.18.1 / CSA B125.1
- ASME A112.18.2 / CSA B125.2
- Indicates compliance to ICC/ANSI A117.1
- Verified compliant with .25% weighted average Pb content regulations.
- EPA Water Sense



▲ Designate proper finish suffix

Delta reserves the right (1) to make changes in specifications and materials, and (2) to change or discontinue models, both without notice or obligation. Dimensions are for reference only. See current full-line price book or www.brizo.com for finish options and product availability.

BSP-L-65885LF-LHP Rev. A

Delta Faucet Company

55 E. 111th Street, Indianapolis, Indiana 46280
 350 South Edgeware Road, St. Thomas, Ontario, Canada N5P 4L1
 © 2011 Masco Corporation of Indiana