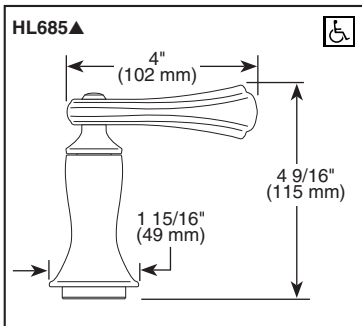
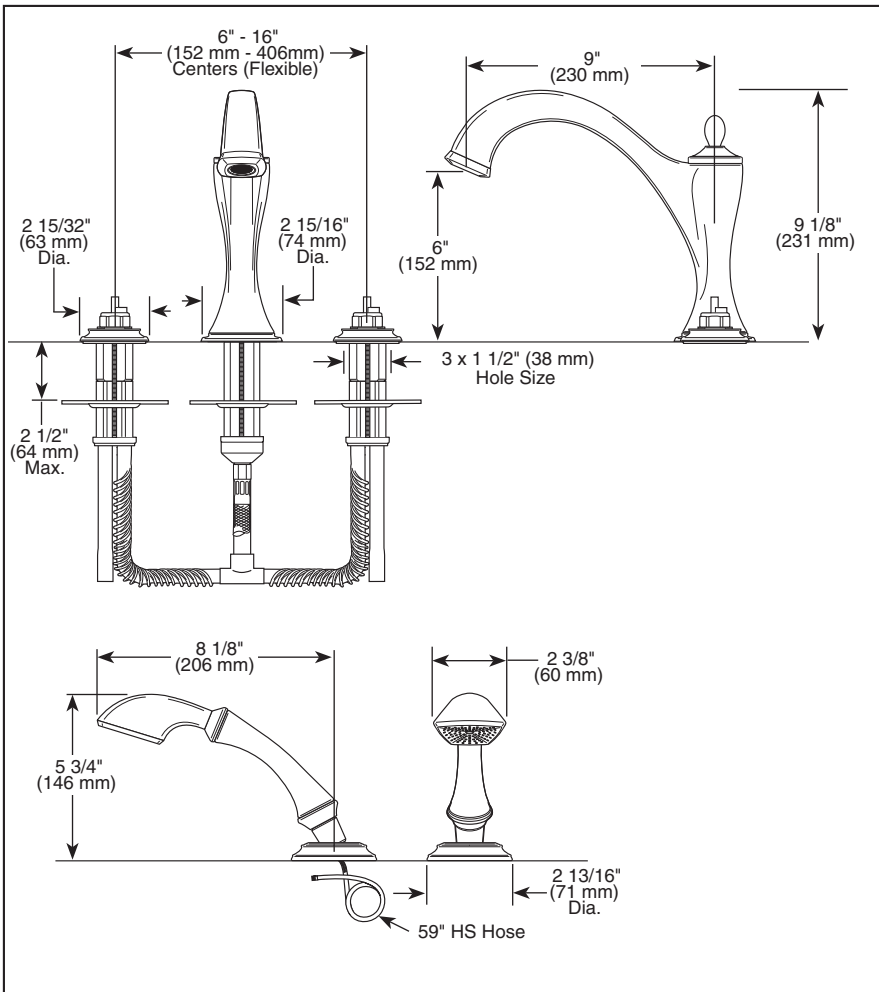


Submitted Model No.: \_\_\_\_\_

Specific Features: \_\_\_\_\_



▲ Designate proper finish suffix

# BRIZO®

## ROMAN TUB/WHIRLPOOL FAUCET TRIM

- Charlotte™ Two Handle Roman Tub Trim
- Three Hole Applications (T67385-LHP)
- Four Hole Applications (T67485-LHP)
- Temperature and Volume Controlled With Handles
- 6" to 16" Centers
- Flexible Ledge Mount
- Rough-In Kit Must Also be Ordered to Complete Installation (R62707 For Three Hole and R64707 For Four Hole)

### STANDARD SPECIFICATIONS:

- Trim Only for two handle Roman Tub faucet for concealed mounting.
- 9" (230 mm) long, 9 1/8" (231 mm) high slip-on rigid spout.
- Temperature and volume controlled with handles.
- Rough-In kit must also be ordered to complete installation (R62707 for three hole and R64707 for four hole). There are separate specification sheets on each rough-in kit if more details are required.
- Handshower includes double check valves for backflow prevention (T67490-LHP).
- Handshower flows 2.0 gpm @ 80 psi.
- Minimum 4 1/2" (114 mm) to maximum 10" (254 mm) distance between holes.
- Accommodates up to 2 1/2" deck thickness.
- LHP - Less Handle Program. See handle options below.

### WARRANTY

- Lifetime Faucet and Finish Limited Warranty to the original consumer purchaser to be free from defects in material and workmanship.
- 5 Year Limited Warranty for usage in all industrial, commercial and business applications.



### COMPLETE VALVE COMPLIES WITH:

- ASME A112.18.1 / CSA B125.1
- Indicates compliance to ICC/ANSI A117.1

