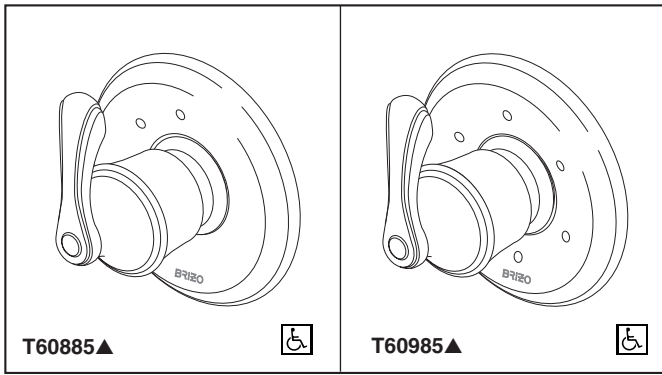


# BRIZO®

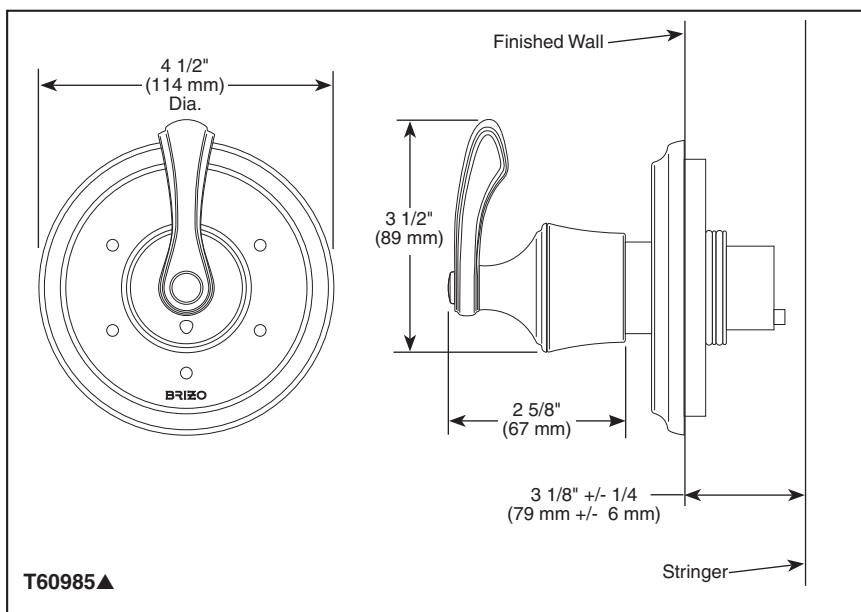
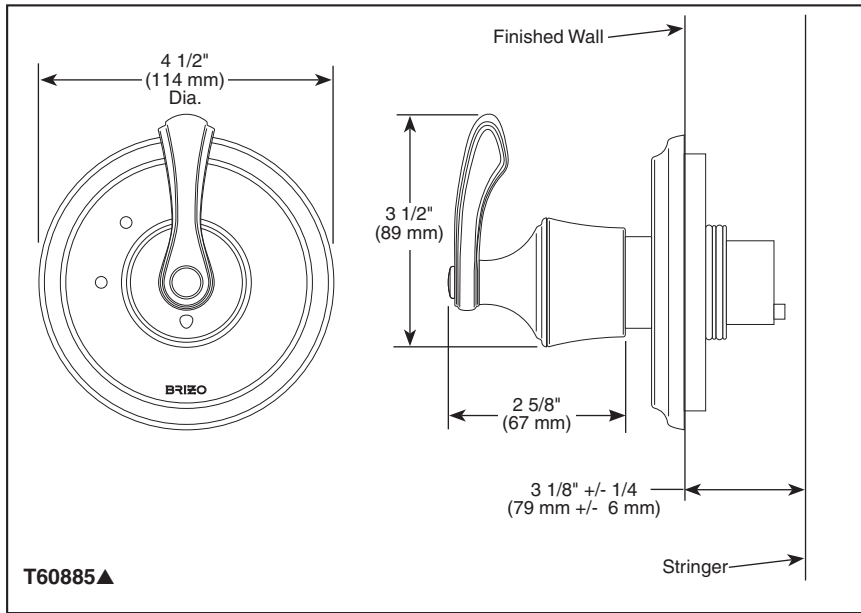
## CUSTOM SHOWER DIVERTER

- Charlotte™ Collection
- Three Function Diverter Trim (T60885)
- Six Function Diverter Trim (T60985)



Submitted Model No.: \_\_\_\_\_

Specific Features: \_\_\_\_\_



### STANDARD SPECIFICATIONS


- Three function diverter. 2 individual positions, 1 shared positions.
- Six function diverter. 3 individual positions, 3 shared positions.
- Must also order R60700 rough-in.

### WARRANTY

- Lifetime Faucet and Finish Limited Warranty to the original consumer purchaser to be free from defects in material and workmanship.
- 5 Year Limited Warranty for usage in all industrial, commercial and business applications.



### COMPLIES WITH:

- ASME A112.18.1 / CSA B125.1
-  Indicates compliance to ICC/ANSI A117.1
- IAPMO Listed
- CSA Certified

▲ Designate proper finish suffix

Delta reserves the right (1) to make changes in specifications and materials, and (2) to change or discontinue models, both without notice or obligation. Dimensions are for reference only. See current full-line price book or www.brizo.com for finish options and product availability.

BSP-B-T60885 Rev. A

**Delta Faucet Company**

55 E. 111th Street, Indianapolis, Indiana 46280  
 350 South Edgeware Road, St. Thomas, Ontario, Canada N5P 4L1  
 © 2011 Masco Corporation of Indiana